



MODEL: 11210345CB
ENTERTAINMENT CENTER

BEFORE YOU BEGIN, PLEASE READ ASSEMBLY INSTRUCTIONS CAREFULLY. FOLLOW THEM STEP BY STEP.

CAUTION:

- ADULT SUPERVISION IS REQUIRED DUE TO SMALL PARTS. CARE SHOULD BE TAKEN IN THE UNPACKING AND ASSEMBLY OF THE PRODUCT.
- ASSEMBLE ON SOFT SURFACES TO PREVENT DAMAGE TO THE PRODUCT FINISH.
- MAKE SURE ALL PARTS ARE INCLUDED BEFORE ASSEMBLY.
- PLACE ENTERTAINMENT CENTER ON FLAT, LEVEL SURFACE. ENTERTAINMENT CENTER WILL NOT BE STABLE ON HIGH PILE CARPETING OR OUT OF LEVEL SURFACES. NOT FOR USE ON HIGH PILE CARPETING OR OTHER SIMILAR SURFACES.
- SHOULD YOU HAVE REASON FOR CONCERN FOR STABILITY AND SECURITY, TIPPING OR KNOCKING OF THE TELEVISION DUE TO, BUT NOT LIMITED TO, SMALL CHILDREN, PETS OR LOCATION, PLEASE TETHER TELEVISION TO THE WALL TO PREVENT IT FROM TIPPING. TETHER NOT INCLUDED. REFER TO TELEVISION USER'S MANUAL OR AFTER MARKET ACCESSORY DEALERS.
- NOT FOR USE WITH TUBE STYLE, CRT TELEVISIONS. WEIGHT LIMIT 135 LBS.

Do you have any questions? Missing small parts or hardware? If you need assistance with the assembly of your ENTERTAINMENT CENTER please e-mail our Customer Service Department at: support@fourstari.com or call us at (800) 639-3803 if calling locally from Massachusetts area. Please include the following information in your email:
 • Where item was purchased • Item, model, style or SKU number listed on instructions or box • Part number, description of the part and quantity needed
 This information will help us get the proper part to you faster

PARTS LIST AND HARDWARE

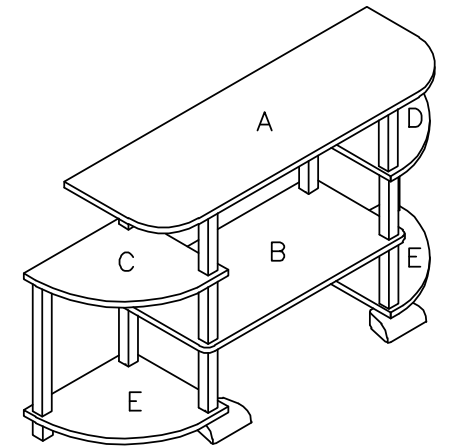
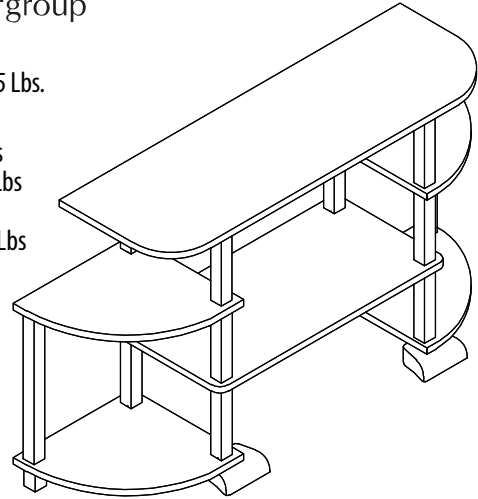
NO	HARDWARE LIST	QTY
1	SQUARE LONG POLE	2 PCS
2	SQUARE SHORT POLE	12 PCS
3	INSERT CAP	6 PCS
4	SQUARE LEG	4 PCS
5	DUCK LEG	2 PCS

NO	PARTS LIST	QTY
A	TOP PANEL	1 PC
B	CENTER SHELF PANEL	1 PC
C	LEFT SIDE TOP PANEL	1 PC
D	RIGHT SIDE TOP PANEL	1 PC
E	SIDE BOTTOM PANEL	2 PCS

fourstargroup

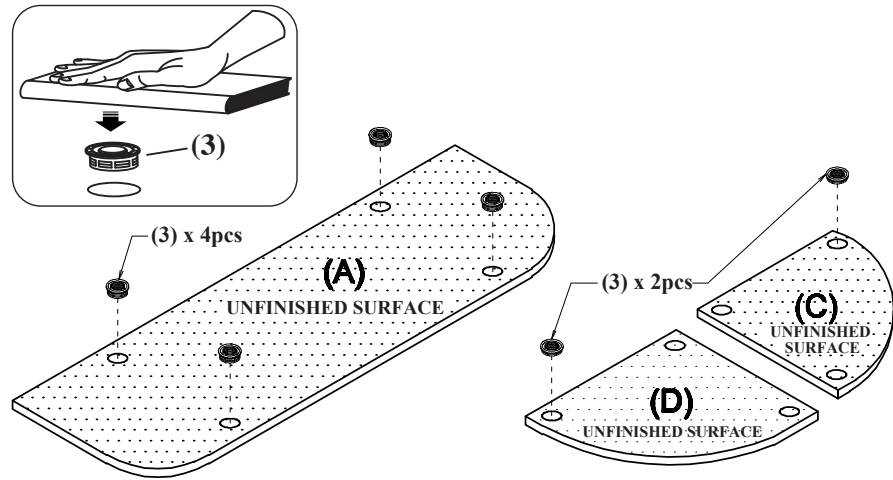
Total maximum weight limits 135 Lbs.

- Inclde:
- Top panel 30 Lbs
- Center shelf 25 Lbs
- Side shelf 20 Lbs x 4 = 80 Lbs

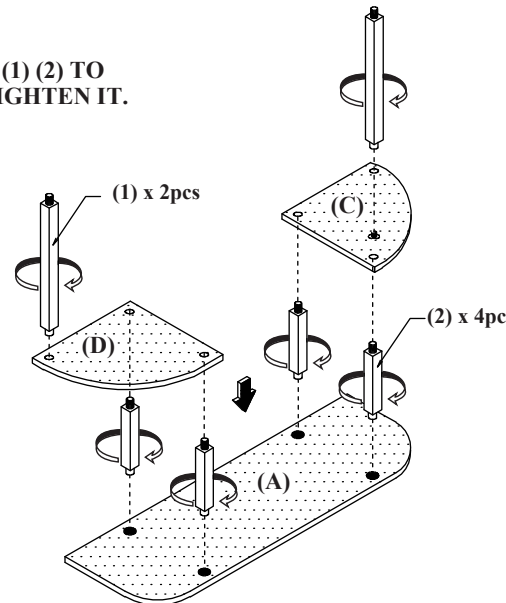


ASSEMBLY INSTRUCTIONS

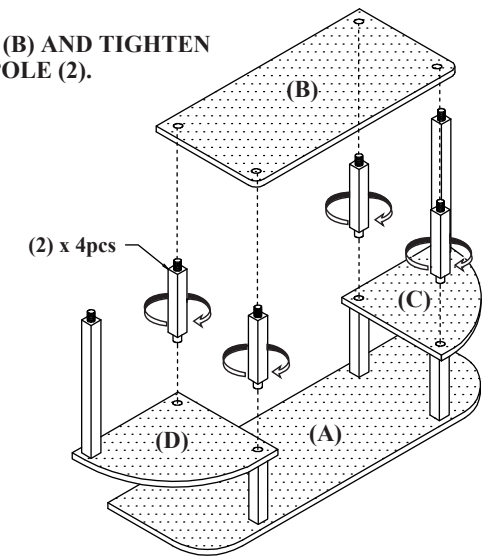
STEP 1.
INSTALL INSERT CAP (3) INTO PANEL (A) (C) (D), PUSH DOWN FIRMLY.



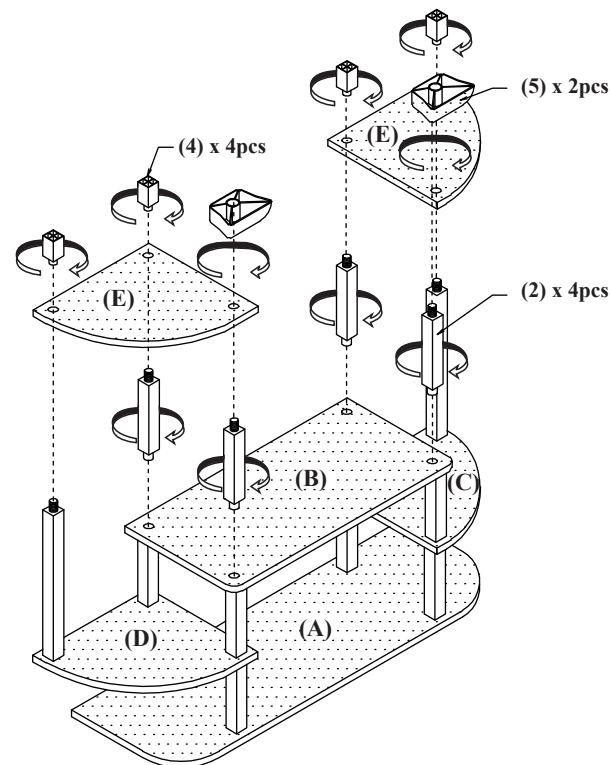
STEP 2
ATTACH SQUARE POLE (1) (2) TO PANEL (A) (C) (D) AND TIGHTEN IT.



STEP 3
ATTACH PANEL (B) AND TIGHTEN WITH SQUARE POLE (2).



STEP 4
ATTACH PANEL (E) AND TIGHTEN WITH SQUARE POLE (2) & LEG (4) (5).



STEP 5
STAND THE ENTERTAINMENT CENTER UPRIGHT.

CAUTION: MAXIMUM LOADING CAPACITY IS 135 LBS.
DO NOT SIT, STAND, LEAN, WALK CLIMB OR JUMP ON FURNITURE! FAILURE TO COMPLY WITH THIS CAUTION COULD RESULT IN PERSONAL INJURY AND/OR PROPERTY DAMAGE!

This unit is intended for use only with the products and maximum weights indicated. Use with other products or products heavier than the maximum weights indicated may result in instability causing possible injury. Furniture can tip over or break if improperly moved. Have a friend help to lift and carry the unit to it's new location.

