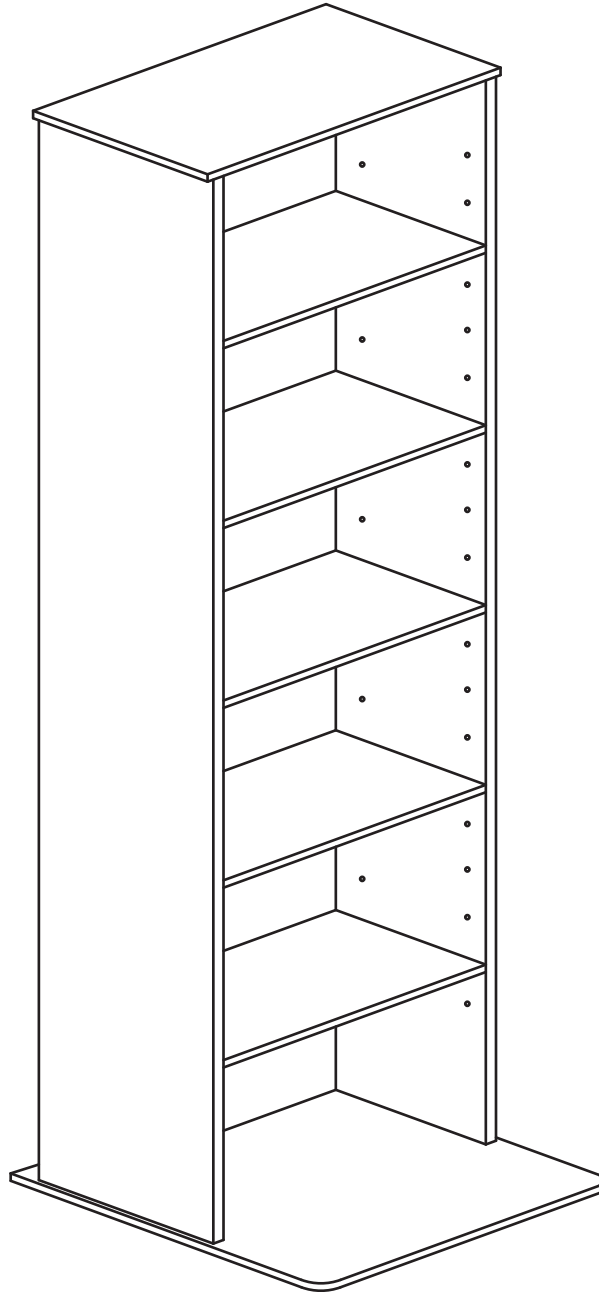






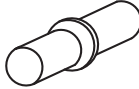

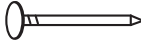
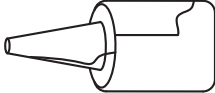


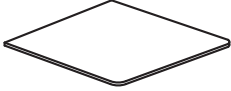


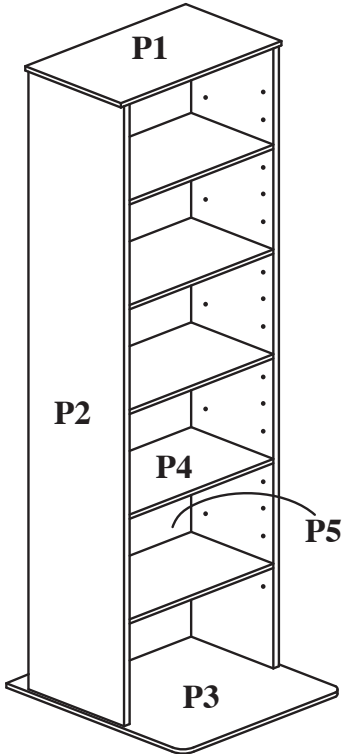
fourstargroup



MODEL: 11209738V

# 6 TIER STORAGE TOWER

## PARTS AND HARDWARE

<b>A</b>	<b>LONG SCREW (4 PCS)</b>	
<b>B</b>	<b>LEG WITH PLUG (4 PCS)</b>	
<b>C</b>	<b>SHELF SUPPORT (20 PCS)</b>	
<b>D</b>	<b>WOODEN DOWEL (4 PCS)</b>	
<b>E</b>	<b>POWER PIN (15 PCS)</b>	
<b>F</b>	<b>WHITE GLUE (1 PC)</b>	
<b>P1</b>	<b>TOP PANEL (1 PC)</b>	
<b>P2</b>	<b>L&amp;R SIDE PANEL (2 PCS)</b>	
<b>P3</b>	<b>BOTTOM PANEL (1 PC)</b>	
<b>P4</b>	<b>SHELF PANEL (5 PCS)</b>	
<b>P5</b>	<b>BACK PANEL (1 PC)</b>	
		

**BEFORE YOU BEGIN, PLEASE READ ASSEMBLY INSTRUCTIONS CAREFULLY. FOLLOW THEM STEP BY STEP.**

**CAUTION :**

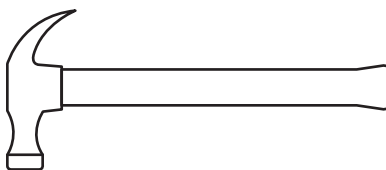
- 1. ADULT SUPERVISION IS REQUIRED DUE TO SMALL PARTS. CARE SHOULD BE TAKEN IN THE UNPACKING AND ASSEMBLY OF THE PRODUCT.**
- 2. ASSEMBLE ON SOFT SURFACES TO PREVENT DAMAGE TO THE PRODUCT FINISH.**
- 3. MAKE SURE ALL PARTS ARE INCLUDED BEFORE ASSEMBLY.**

**ASSEMBLY TOOLS REQUIRED :**

**PHILLIPS  
SCREWDRIVER**



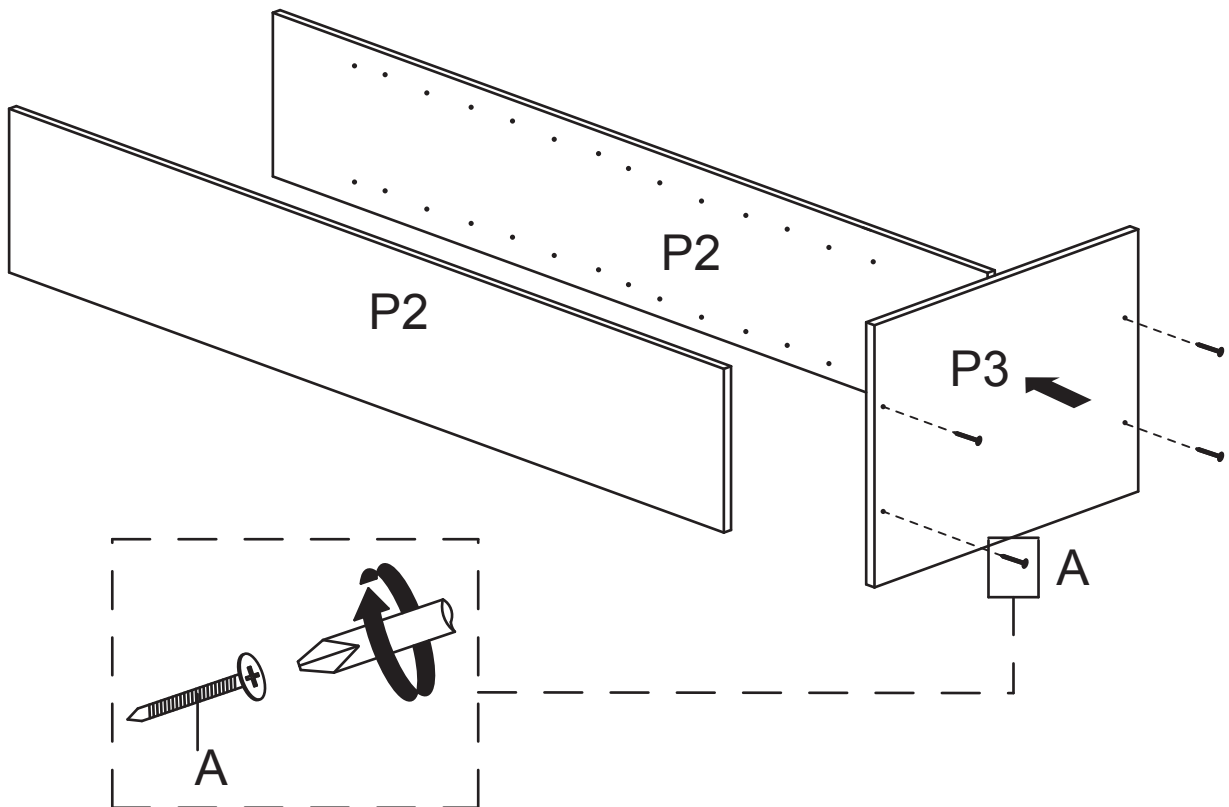
**HAMMER**



# ASSEMBLY INSTRUCTIONS

## STEP 1

ATTACH BOTH SIDE PANELS (P2) TO BOTTOM PANEL (P3) USING LONG SCREWS (A), AS SHOWN.

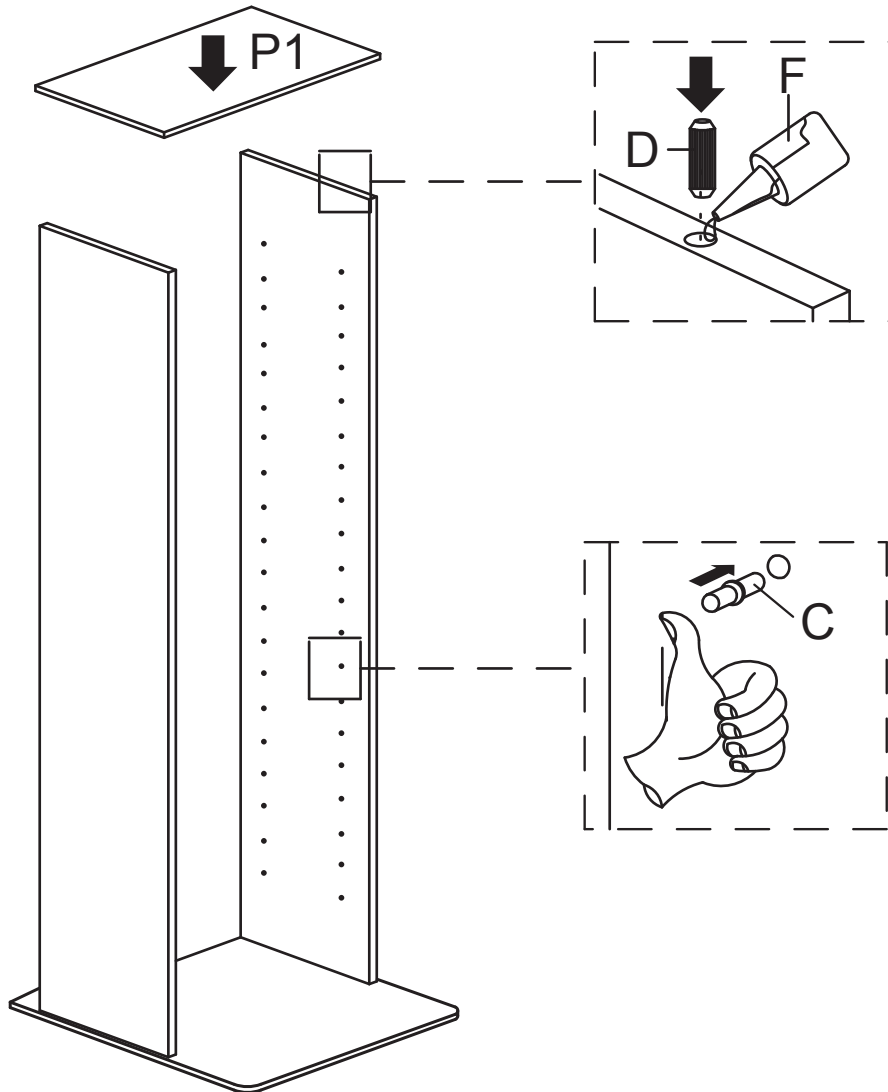


Ⓐ LONG SCREW - 4 PCS

**STEP 2**

**ATTACH TOP PANEL (P1) TO ASSEMBLED STEP 1 USING WOOD DOWEL (D) AND GLUE (F), AS SHOWN.**

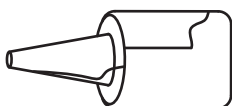
**INSERT SHELF SUPPORT (C) INTO BOTH SIDE PANELS (P2) HOLES, AS SHOWN.**



**Ⓒ SHELF SUPPORT - 20 PCS**



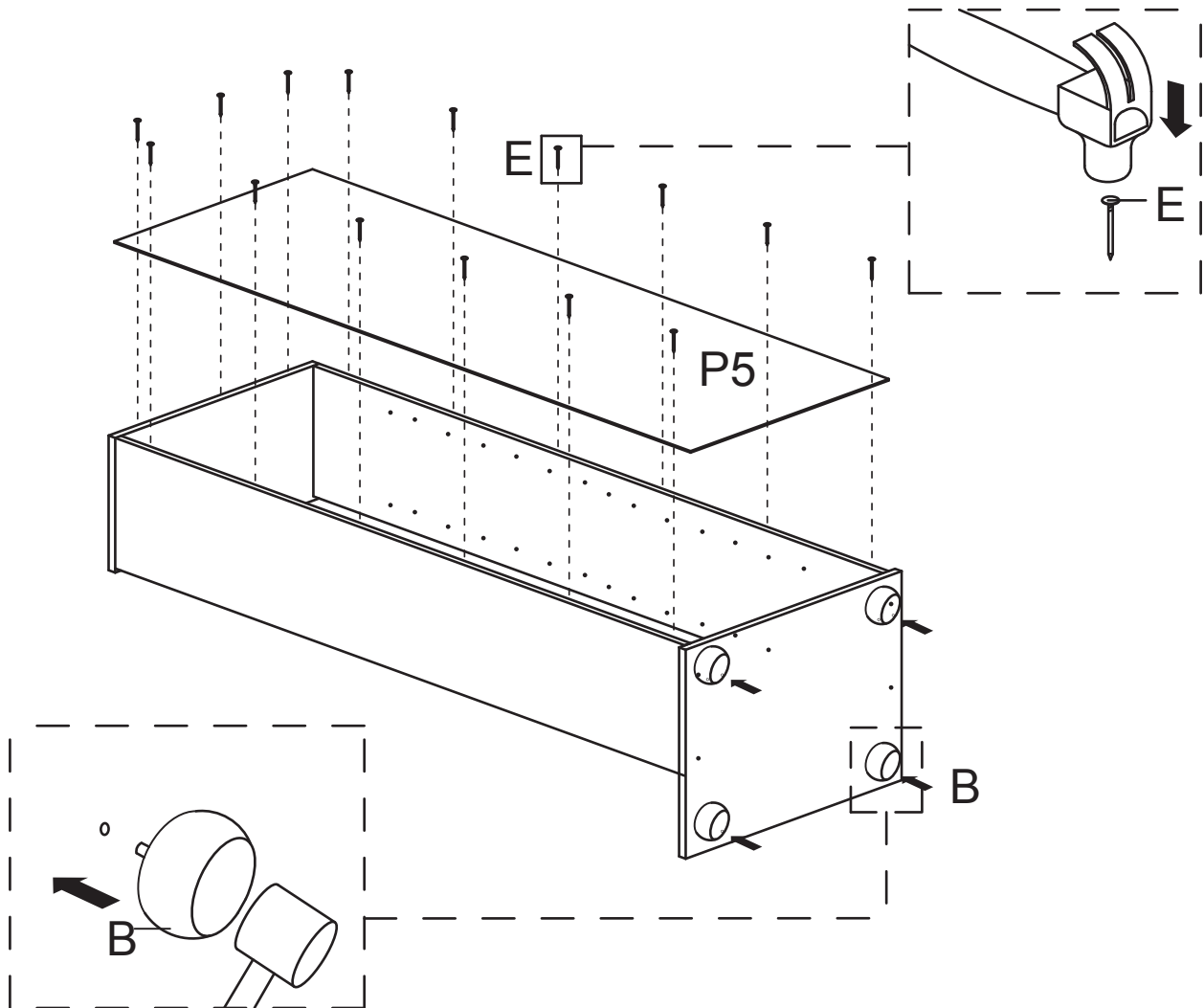
**Ⓓ WOODEN DOWEL - 4 PCS**



**Ⓕ WHITE GLUE - 1 PC**

**STEP 3**

**ATTACH BACK PANEL (P5) AND LEGS WITH PLUG (B) TO ASSEMBLED STEP 2 USING POWER PINS (E), AS SHOWN BELOW.**



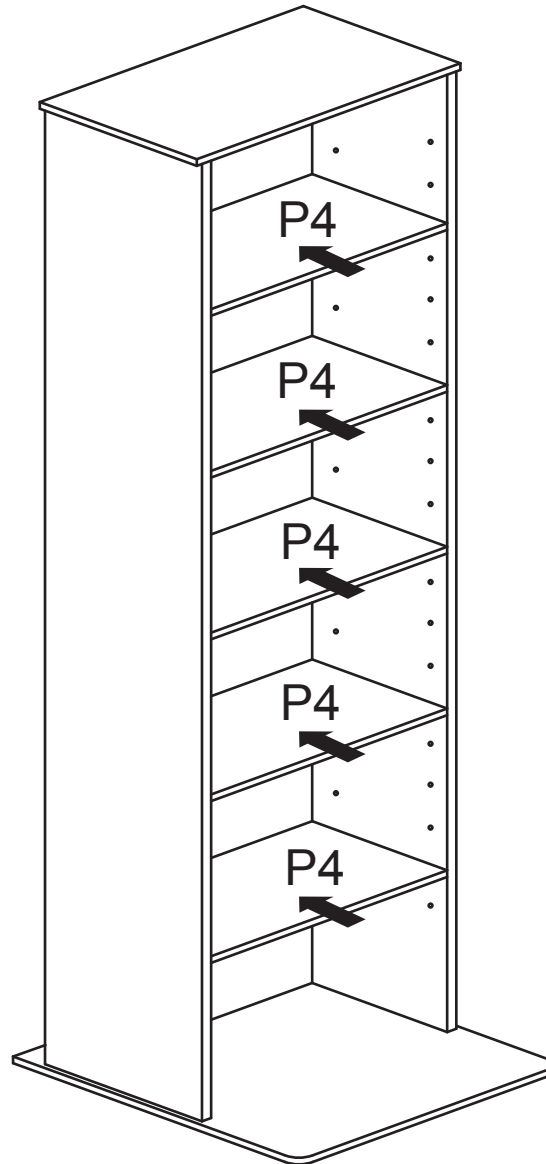
**Ⓑ LEG WITH PLUG - 4 PCS**



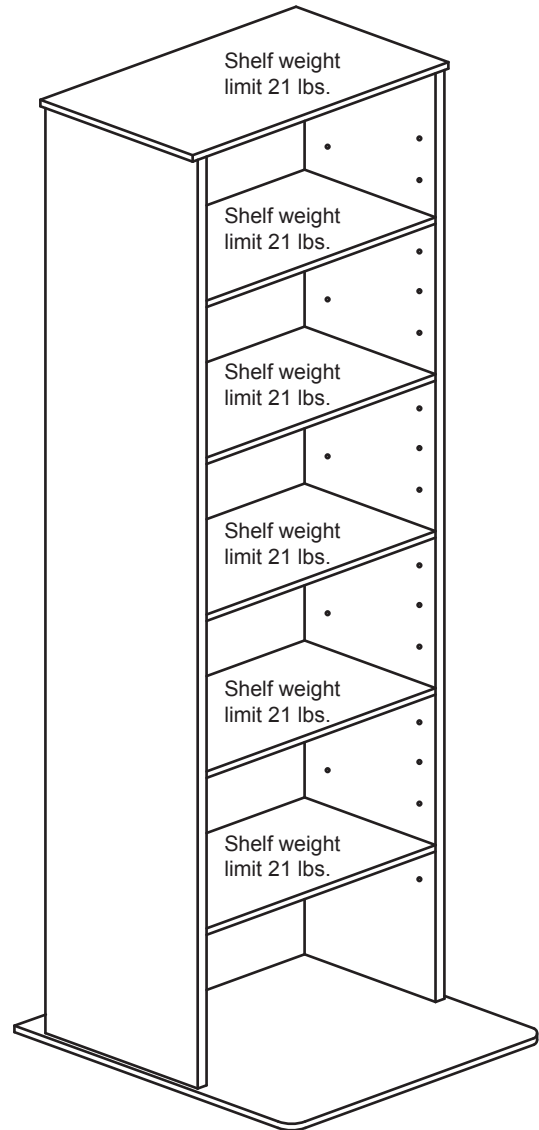
**Ⓔ POWER PIN - 15 PCS**

**STEP 4**

**SLIDE SHELF PANELS (P4) TO ASSEMBLED STEP 3 ONTO INSERTED SHELF SUPPORTS (C), AS SHOWN.**



This unit is intended for use only with the products and maximum weights indicated. Use with other products or products heavier than the maximum weights indicated may result in instability causing possible injury. Furniture can tip over or break if improperly moved. Have a friend help to lift and carry the unit to its new location.



Do you have any questions ? Missing small parts or hardware ?

If you need assistance with the assembly of your 6 TIER STORAGE TOWER please e-mail our Customer Service

Department at:

**support@fourstari.com**

**or call us at (508) 435-4830**

or (800) 639-3803

Please include the following information in your email:

- Where item was purchased
- Item, model, style or SKU number listed on instructions or box
- Part number, description of the part and quantity needed

This information will help us get the proper part to you faster