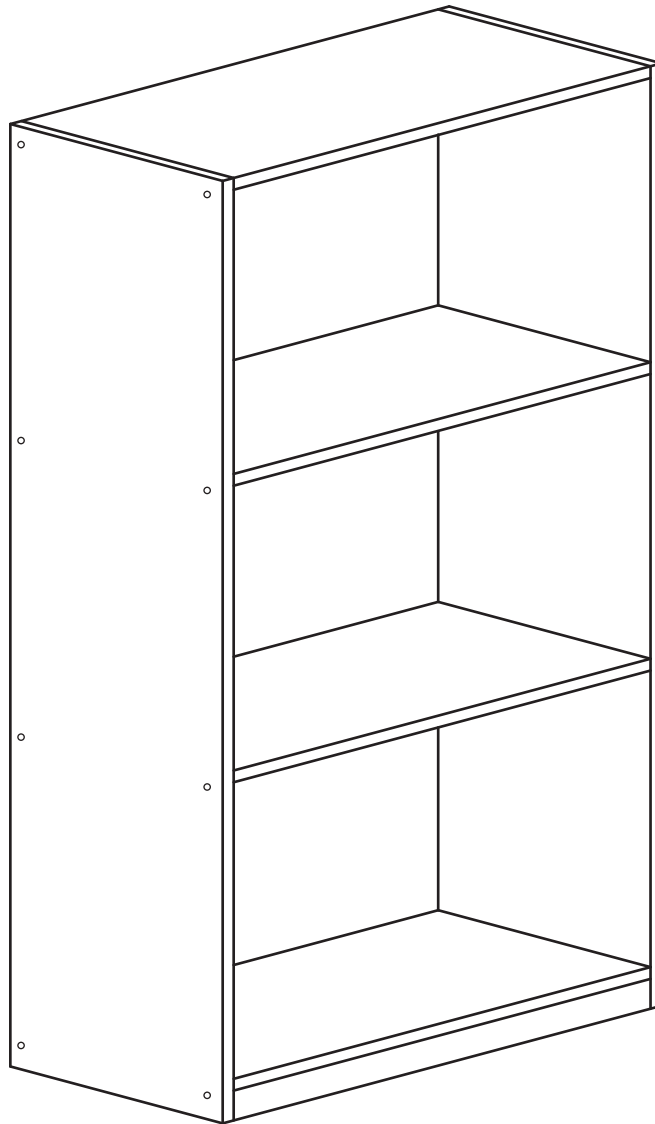









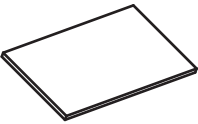
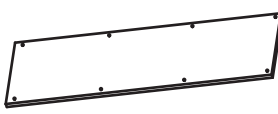


fourstargroup

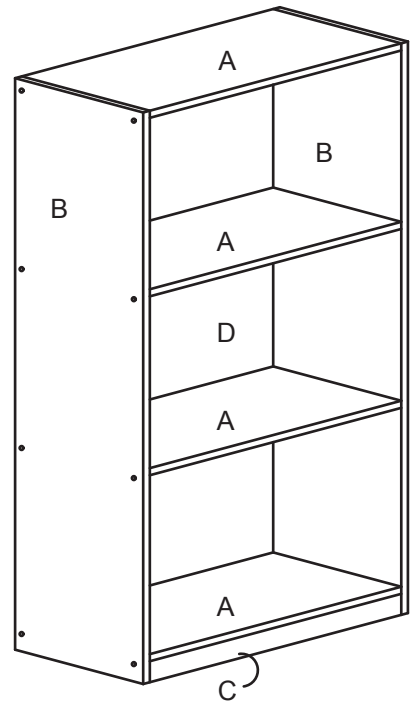


MODEL: 11209736V
3 SHELF BOOKCASE

PARTS

NO	HARDWARE LIST	QTY
1	C/B SCREW 	16 pcs
2	CSK SCREW 	4 pcs
3	PVC NAIL LEG 	4 pcs
4	POWER PIN 	30 pcs
5	'L'-BRACKET 	2 pcs

NO	PARTS LIST	QTY
A	TOP , SHELF & BOTTOM PANEL 	4 pcs
B	L&R SIDE PANEL 	2 pcs
C	APRON LEG 	1 pcs
D	BACK PANEL 	1 pc



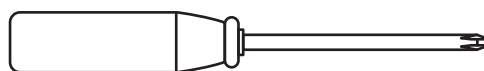
BEFORE YOU BEGIN, PLEASE READ ASSEMBLY INSTRUCTIONS CAREFULLY. FOLLOW THEM STEP BY STEP.

CAUTION :

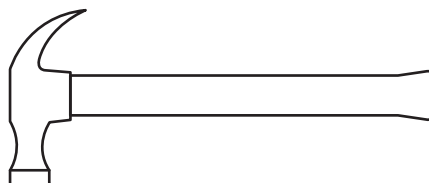
- 1. ADULT SUPERVISION IS REQUIRED DUE TO SMALL PARTS. CARE SHOULD BE TAKEN IN THE UNPACKING AND ASSEMBLY OF THE PRODUCT.**
- 2. ASSEMBLE ON SOFT SURFACES TO PREVENT DAMAGE TO THE PRODUCT FINISH.**
- 3. MAKE SURE ALL PARTS ARE INCLUDED BEFORE ASSEMBLY.**

ASSEMBLY TOOLS REQUIRED

**PHILIPS
SCREWDRIVER**



HAMMER

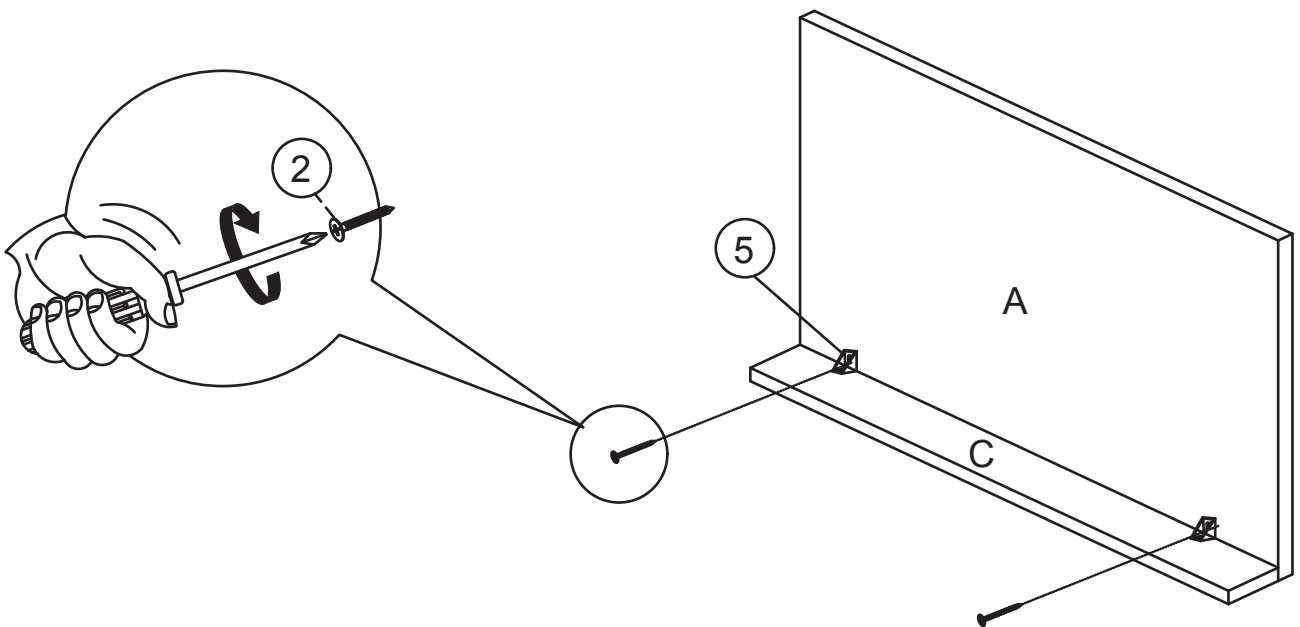


ASSEMBLY INSTRUCTIONS

BEFORE YOU BEGIN, PLEASE READ ASSEMBLY INSTRUCTIONS CAREFULLY. FOLLOW THEM STEP BY STEP.

STEP 1:

ATTACH APRON LEG (C) TO BOTTOM PANEL (A), USING L-BRACKETS (5) AND SCREWS (2), AS SHOWN.

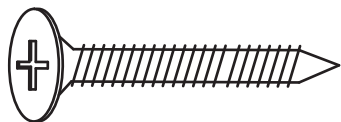
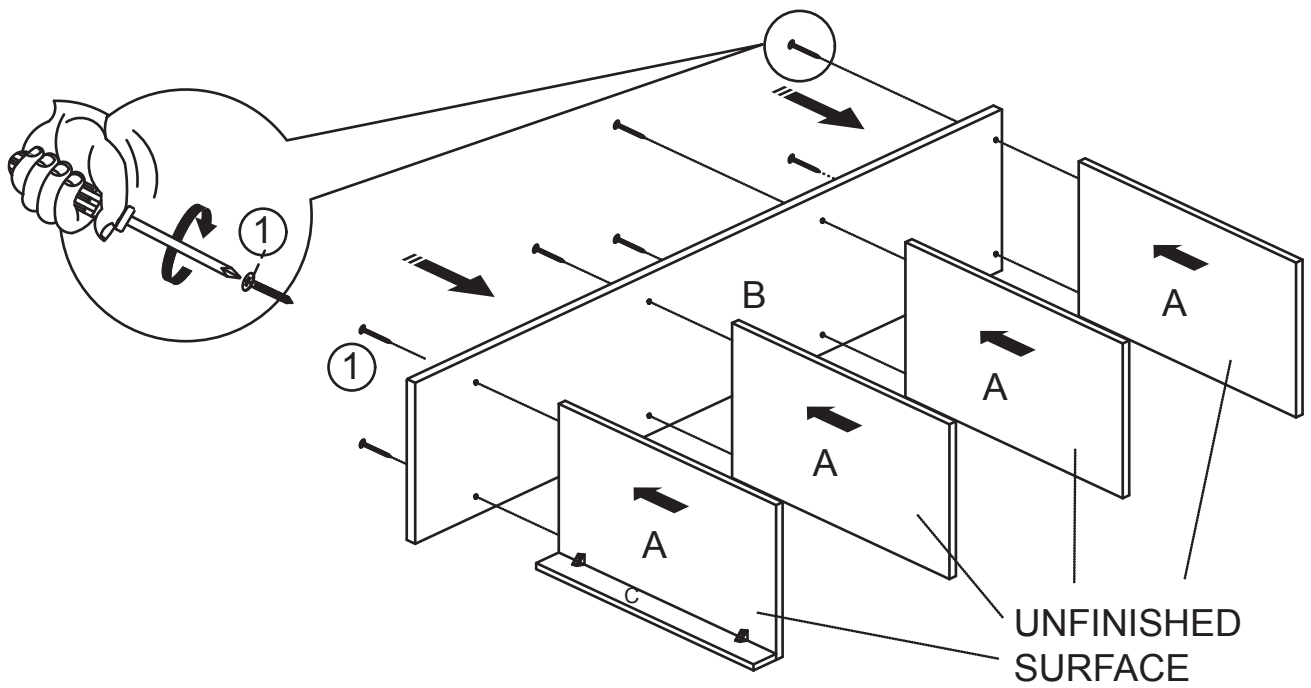


② CSK SCREW - 4 PCS



⑤ 'L'-BRACKET - 2 PCS

STEP 2:
ATTACH SIDE PANEL (B), SHELF PANEL AND TOP PANEL (A)
TO ASSEMBLED STEP 1 USING SCREWS (1), AS SHOWN.

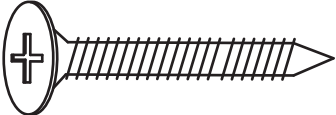
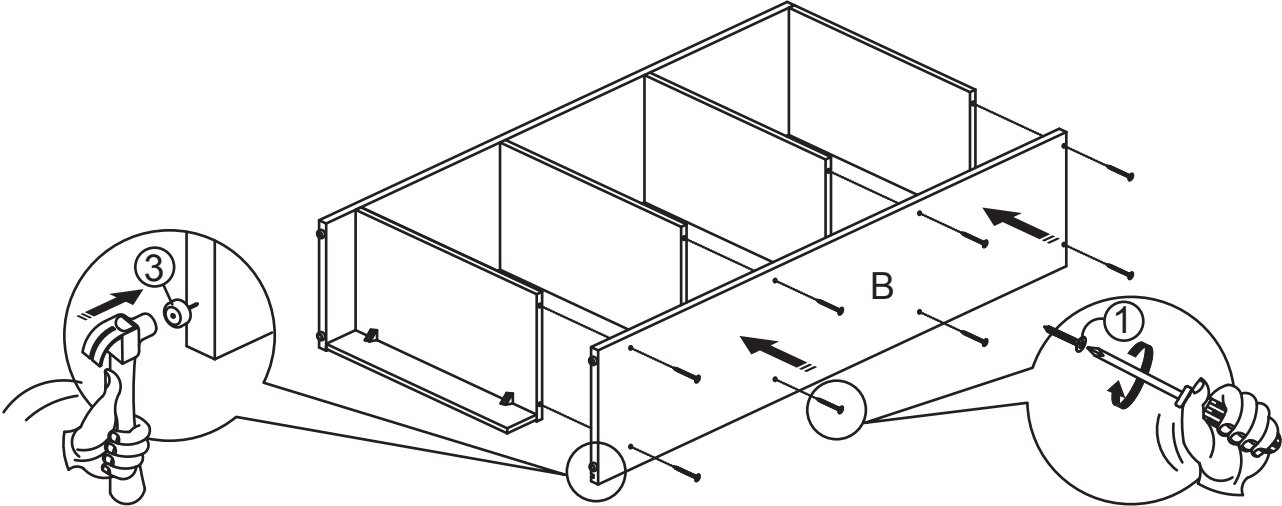


① C/B SCREW - 8 PCS

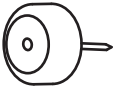
STEP 3:

ATTACH SIDE PANEL (B) TO ASSEMBLED STEP 2 USING SCREWS (1), AS SHOWN.

ATTACH PVC NAIL LEG (3), TO BOTTOM OF SIDE PANEL (B), AS SHOWN BELOW.

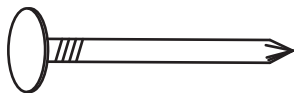
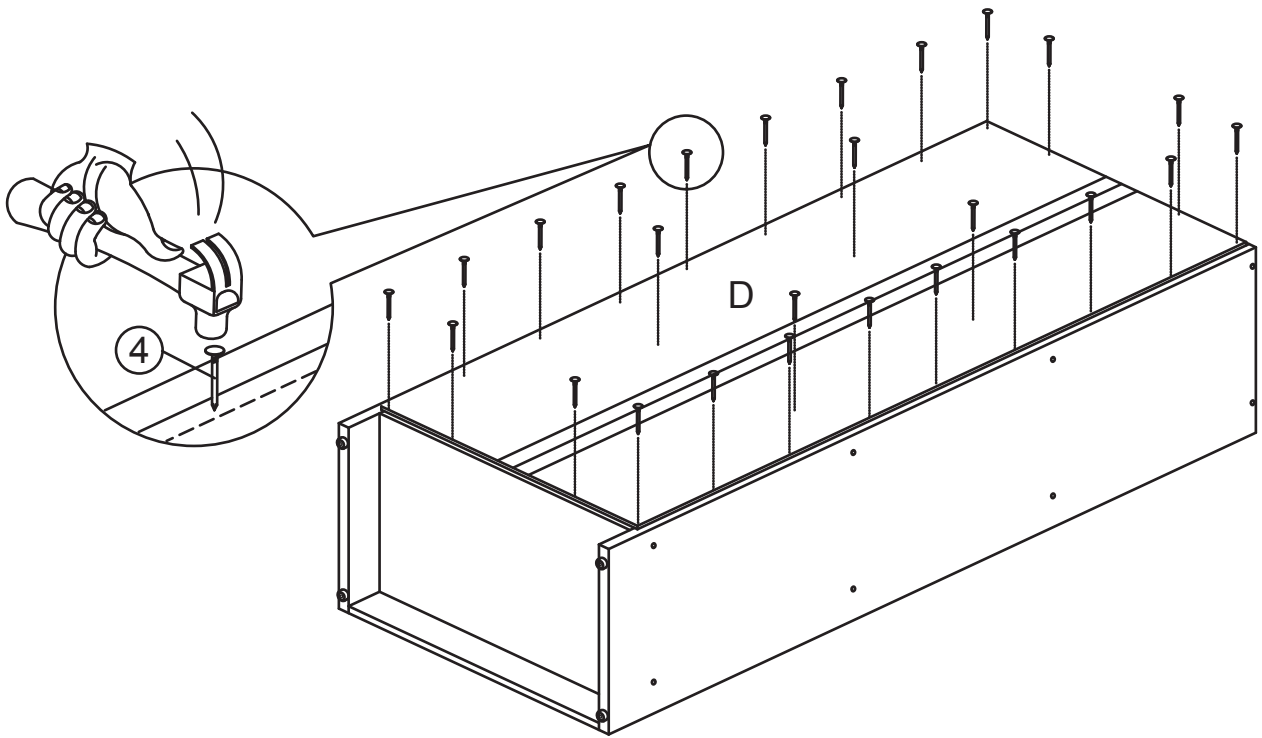


① C/B SCREW - 8 PCS



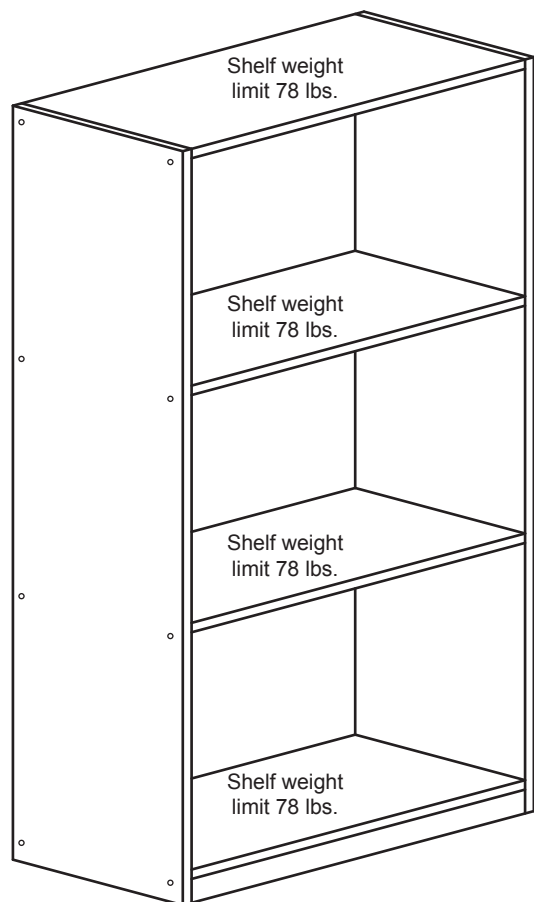
③ PVC NAIL LEG - 4 PCS

STEP 4:
ATTACH BACK PANEL (D) TO ASSEMBLED STEP 3 USING
POWER PIN (4), AS SHOWN.



④ POWER PIN - 30 PCS

This unit is intended for use only with the products and maximum weights indicated. Use with other products or products heavier than the maximum weights indicated may result in instability causing possible injury. Furniture can tip over or break if improperly moved. Have a friend help to lift and carry the unit to its new location.



Do you have any questions ? Missing small parts or hardware?
If you need assistance with the assembly of your 3 SHELF
BOOKCASE please e-mail our Customer Service
Department at:
support@fourstari.com
or call us at **(508) 435-4830**
or (800) 639-3803

Please include the following information in your email:

- Where item was purchased
- Item, model, style or SKU number listed on instructions or box
- Part number, description of the part and quantity needed

This information will help us get the proper part to you faster