





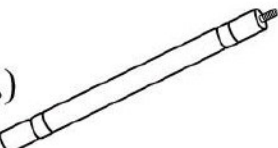

fourstargroup



MODEL:11203629FM

WOOD TWO TIER END TABLE

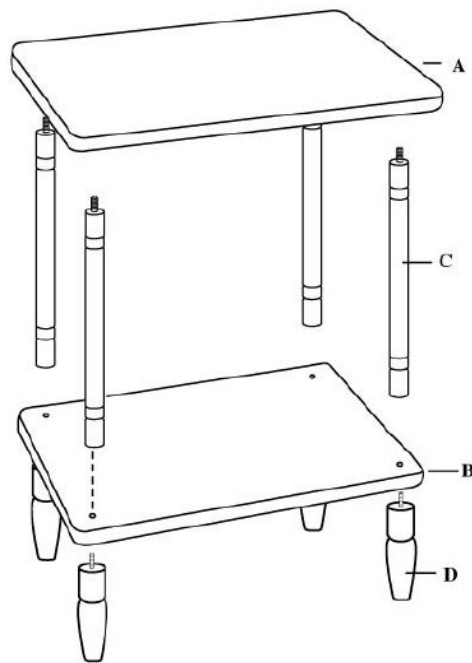
PARTS AND HARDWARE

A.	TABLE TOP (1 pc.)	
B.	BOTTOM SHELF (1 pc.)	
C.	UPPER SPINDLE LEGS (4 pcs.)	
D.	LOWER SPINDLE LEGS (4 pcs.)	

ASSEMBLY INSTRUCTIONS

NOTE: ASSEMBLE THE TABLE ON A CLEAN, SMOOTH SURFACE, SUCH AS A CARPET.

- 1) Attach the UPPER SPINDLE LEGS (C) to the TOP (A) by turning clockwise, as shown.**
- 2) Attach LOWER SHELF (B) to the UPPER SPINDLE LEGS (C) by turning LOWER SPINDLE LEGS (D) clockwise, as shown.**



Do you have any questions? Missing small parts or hardware?
If you need assistance with the assembly of your SOLID WOOD
TWO TIER TABLE please e-mail our Customer Service
Department at:
support@fourstari.com
or call us at (508) 435-4830
or (800) 639-3803

Please include the following information in your email:
† Where item was purchased
† Item, model, style or SKU number listed on instructions
or box
† Part number, description of the part and quantity needed

This information will help us get the proper part to you faster