




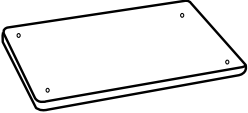
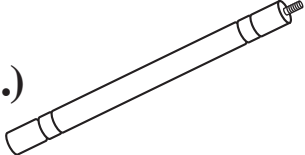

fourstargroup



**MODEL:11203629DT**

**WOOD TWO TIER END TABLE**

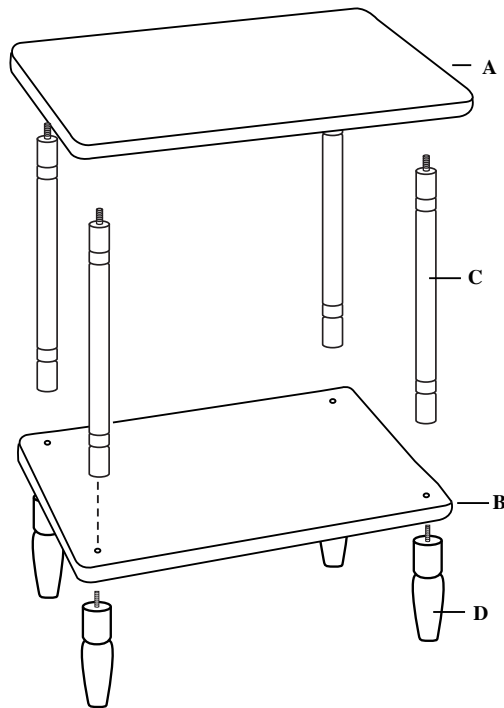
# PARTS AND HARDWARE

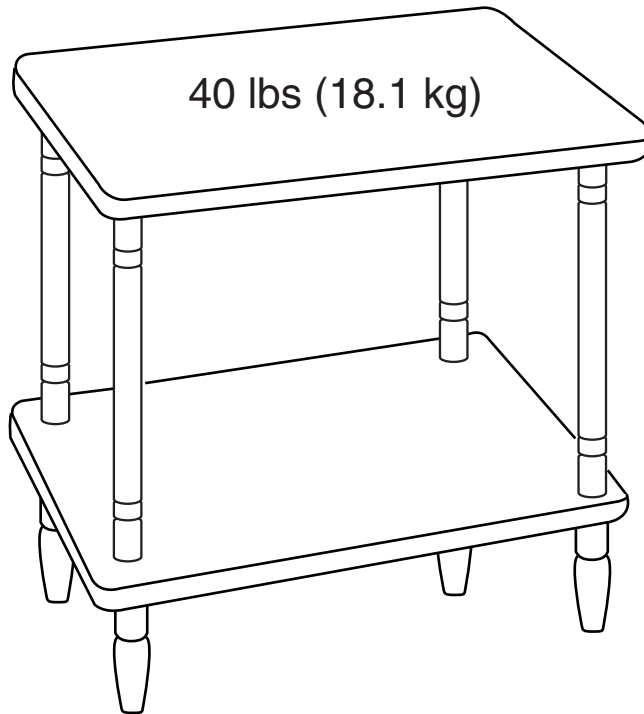
<b>A.</b>	<b>TABLE TOP (1 pc.)</b>	
<b>B.</b>	<b>BOTTOM SHELF (1 pc.)</b>	
<b>C.</b>	<b>UPPER SPINDLE LEGS (4 pcs.)</b>	
<b>D.</b>	<b>LOWER SPINDLE LEGS (4 pcs.)</b>	

# ASSEMBLY INSTRUCTIONS

**NOTE: ASSEMBLE THE TABLE ON A CLEAN, SMOOTH SURFACE, SUCH AS A CARPET.**

- 1) Attach the UPPER SPINDLE LEGS (C) to the TABLE TOP (A) by turning clockwise, as shown.**
- 2) Attach BOTTOM SHELF (B) to the UPPER SPINDLE LEGS (C) by turning LOWER SPINDLE LEGS (D) clockwise, as shown.**





**⚠ CAUTION: MAXIMUM LOADING  
CAPACITY OF THIS TABLE IS 40 LBS.**

**THIS IS A TABLE. DO NOT SIT, STAND,  
LEAN, WALK OR JUMP ON TABLE!  
FAILURE TO COMPLY WITH THIS  
CAUTION COULD RESULT IN PERSONAL  
INJURY AND / OR PROPERTY DAMAGE!**

Do you have any questions ? Missing small parts or hardware ?

If you need assistance with the assembly of your WOOD TWO  
TIER TABLE please e-mail our Customer Service

Department at:

[support@fourstari.com](mailto:support@fourstari.com)

or call us at (508) 473-7688

or (800) 639-3803

Please include the following information in your email:

- Where item was purchased
- Item, model, style or SKU number listed on instructions  
or box
- Part number, description of the part and quantity needed

This information will help us get the proper part to you faster