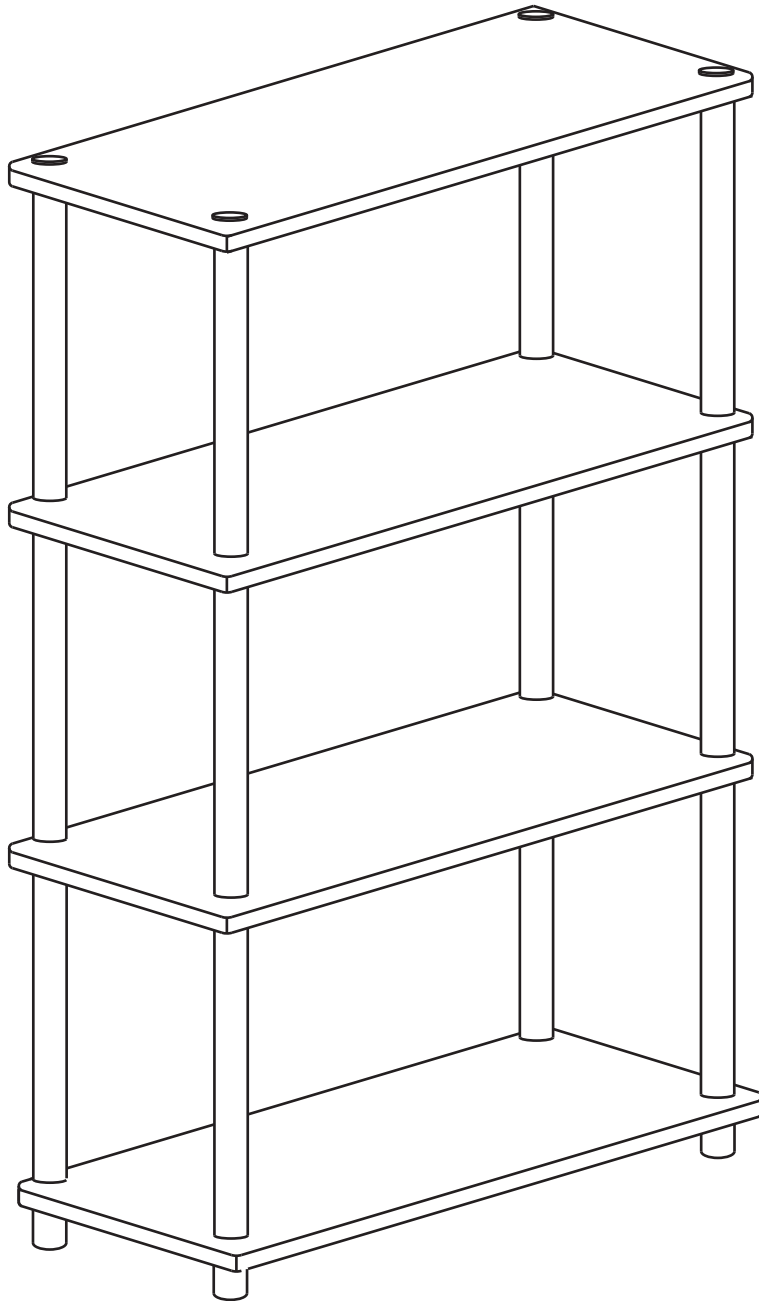




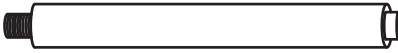


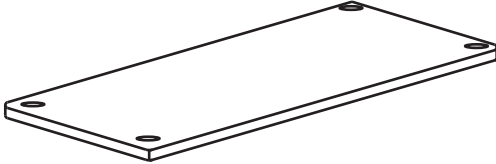
fourstargroup



MODEL: 11202557S

FOUR TIER SHELF

PARTS AND HARDWARE

A	POST (12 PCS)	
B	CAP (4 PCS)	
C	LEG (4 PCS)	
D	SHELF (4 PCS)	

BEFORE YOU BEGIN, PLEASE READ ASSEMBLY INSTRUCTIONS CAREFULLY. FOLLOW THEM STEP BY STEP.

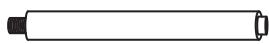
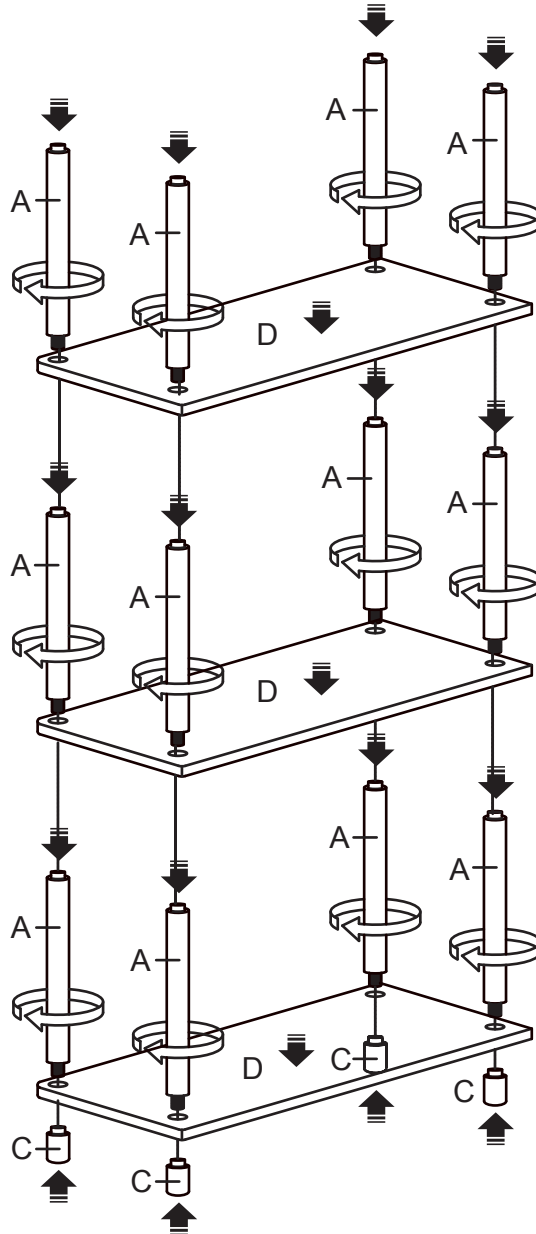
CAUTION :

- 1. ADULT SUPERVISION IS REQUIRED DUE TO SMALL PARTS. CARE SHOULD BE TAKEN IN THE UNPACKING AND ASSEMBLY OF THE PRODUCT.**
- 2. ASSEMBLE ON SOFT SURFACES TO PREVENT DAMAGE TO THE PRODUCT FINISH.**
- 3. MAKE SURE ALL PARTS ARE INCLUDED BEFORE ASSEMBLY.**

ASSEMBLY INSTRUCTIONS

STEP 1

START BY SCREWING 4 LEGS (C) INTO ONE SHELF (D), CONTINUE SCREWING 12 POSTS (A) INTO 3 SHELVES (D), AS SHOWN.



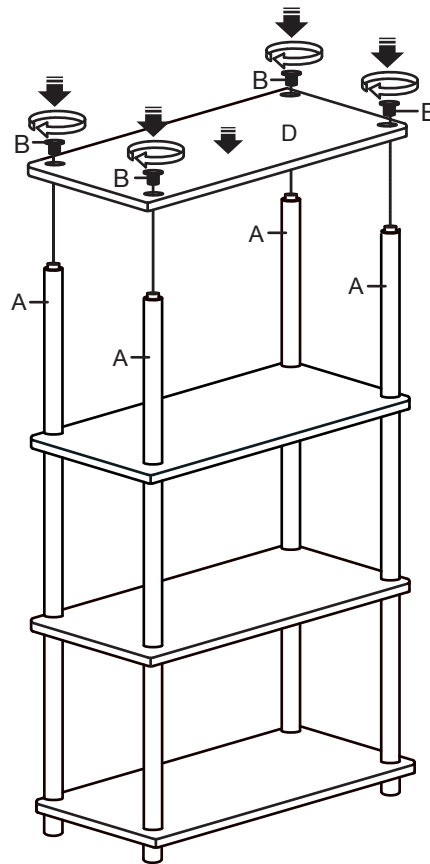
Ⓐ POST - 12 PCS



Ⓒ LEG - 4 PCS

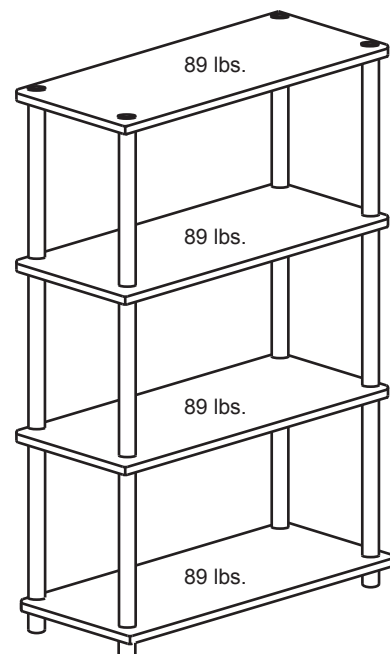
STEP 2

SECURE THE 4TH SHELF (D) TO 4 POSTS (A) USING 4 CAPS (B), AS SHOWN.



(B) CAP - 4 PCS

This unit is intended for use only with the products and maximum weights indicated. Use with other products or products heavier than the maximum weights indicated may result in instability causing possible injury. Furniture can tip over or break if improperly moved. Have a friend help to lift and carry the unit to its new location.



Do you have any questions? Missing small parts or hardware?

If you need assistance with the assembly of your 4 TIER SHELF please e-mail our Customer Service

Department at:

support@fourstari.com

or call us at (508) 435-4830

or (800) 639-3803

Please include the following information in your email:

- Where item was purchased
- Item, model, style or SKU number listed on instructions or box
- Part number, description of the part and quantity needed

This information will help us get the proper part to you faster