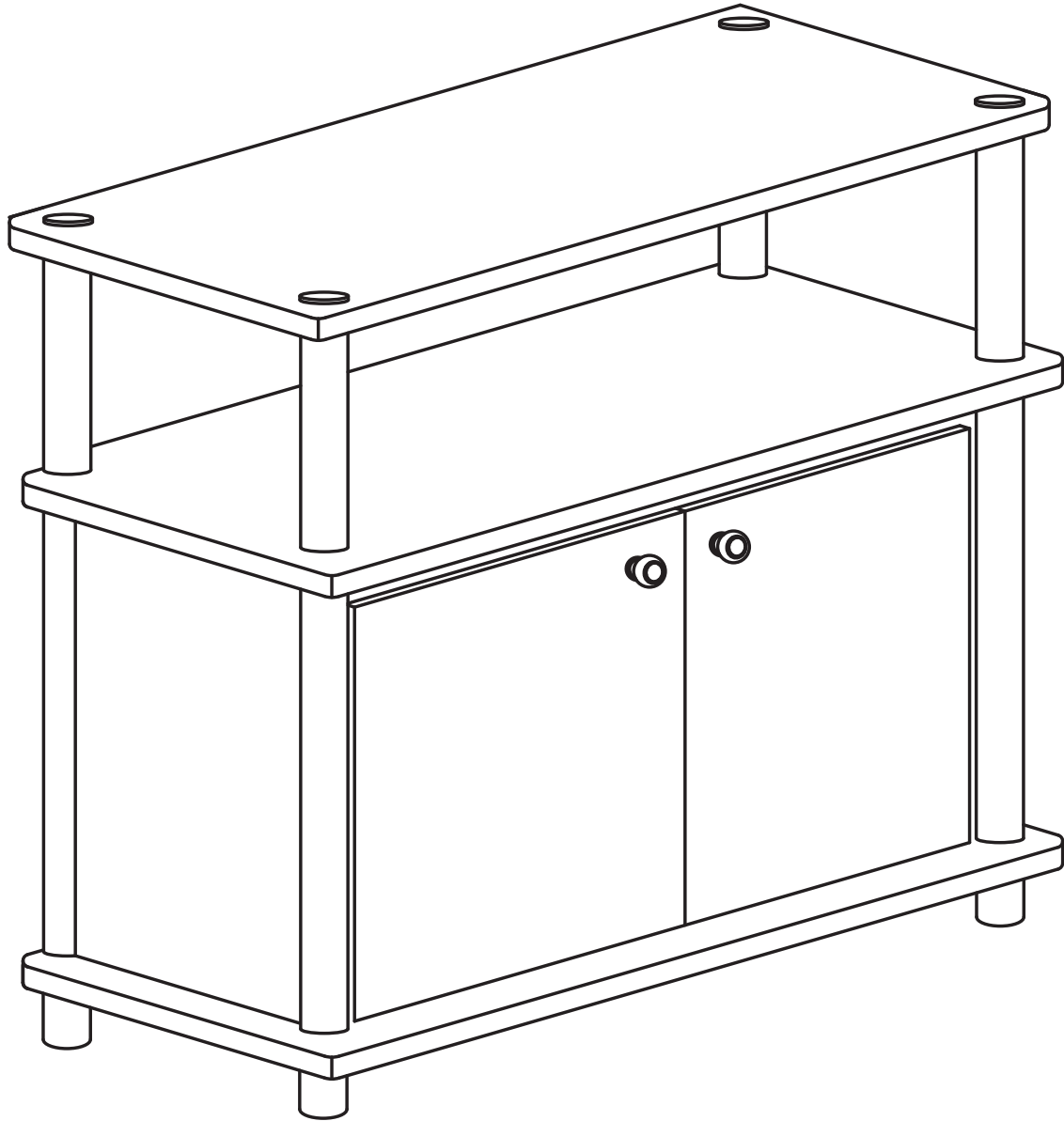




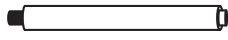
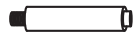


fourstargroup

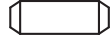

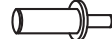



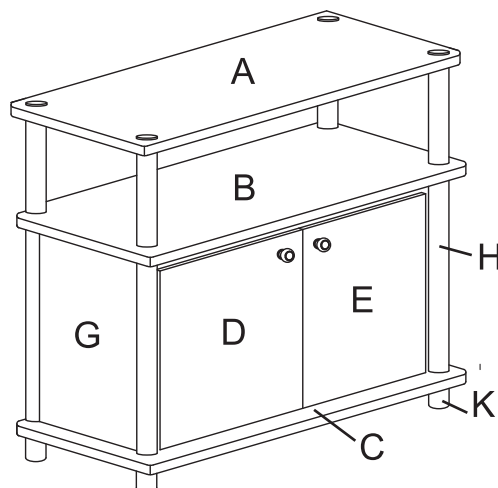
**MODEL: 11202549**

**TV STAND WITH STORAGE CABINET**

# PARTS AND HARDWARE

No	Parts list	Qty
A	TOP PANEL	1 pc
B	SHELF PANEL	1 pcs
C	BOTTOM PANEL	1 pc
D	LEFT DOOR PANEL	1 pc
E	RIGHT DOOR PANEL	1 pc
F	BACK PANEL	1 pc
G	SIDE PANEL	2 pcs
H	Long PVC Tube 	4 pcs
I	Short PVC Tube 	4 pcs
J	PVC Cap 	4 pcs
K	PVC Leg 	4 pcs

No	Hardware list	Qty
1	PVC Dowel 	12 pcs
2	Magnet Kit 	2 sets
3	Spring 	4 pcs
4	Door Knob Kit 	2 sets

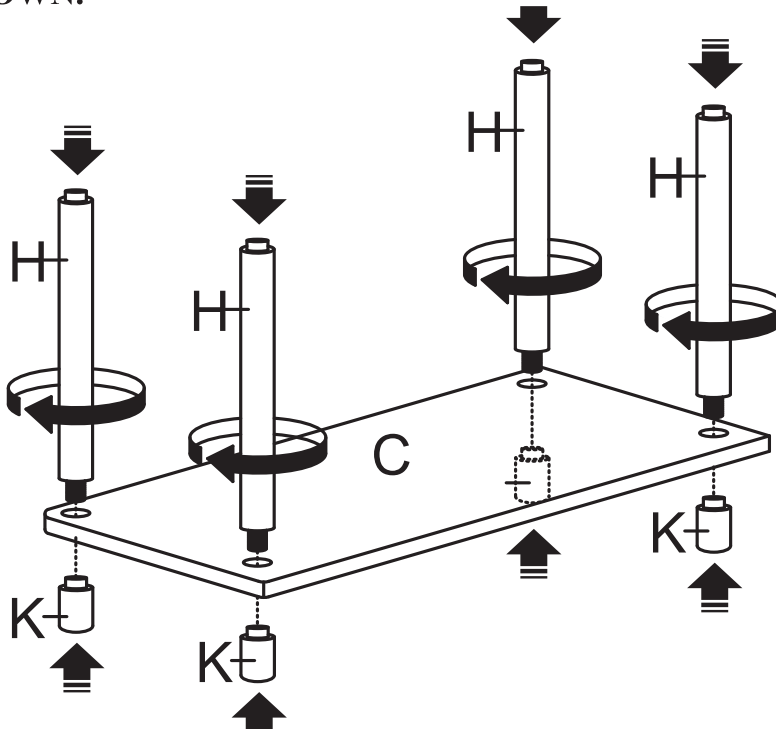


# ASSEMBLY INSTRUCTIONS

BEFORE YOU BEGIN, PLEASE FOLLOW ASSEMBLY INSTRUCTIONS CAREFULLY. FOLLOW THEM STEP BY STEP.

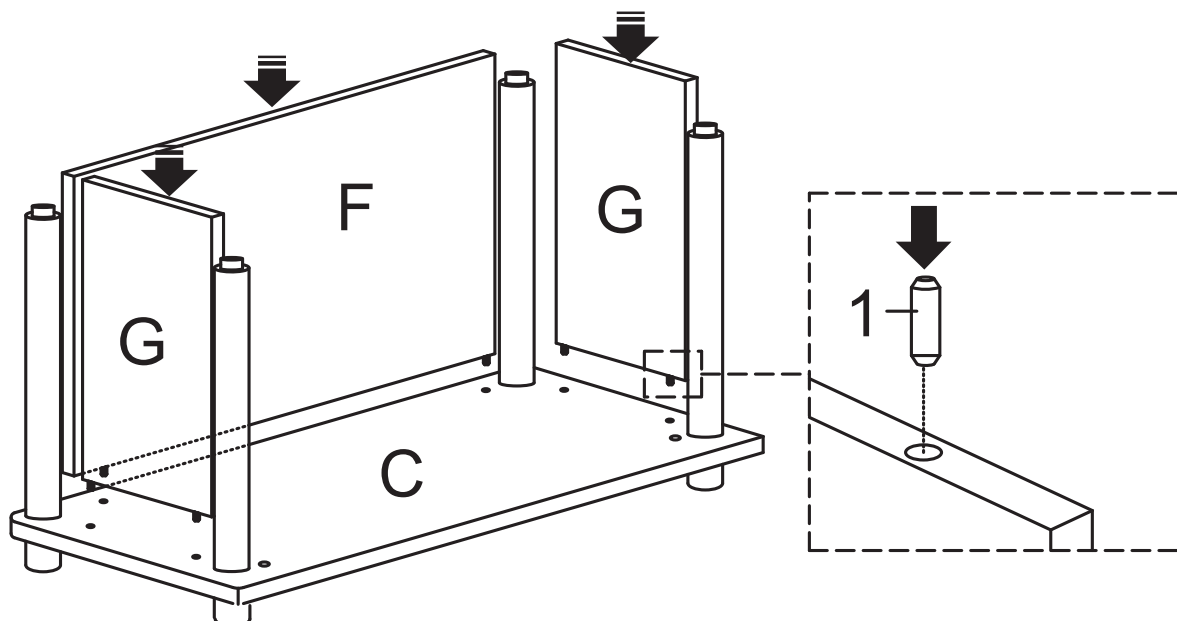
## STEP 1

ATTACH LONG TUBES ( H ) AND LEGS ( K ) TO BOTTOM PANEL ( C ) AS SHOWN.



## STEP 2

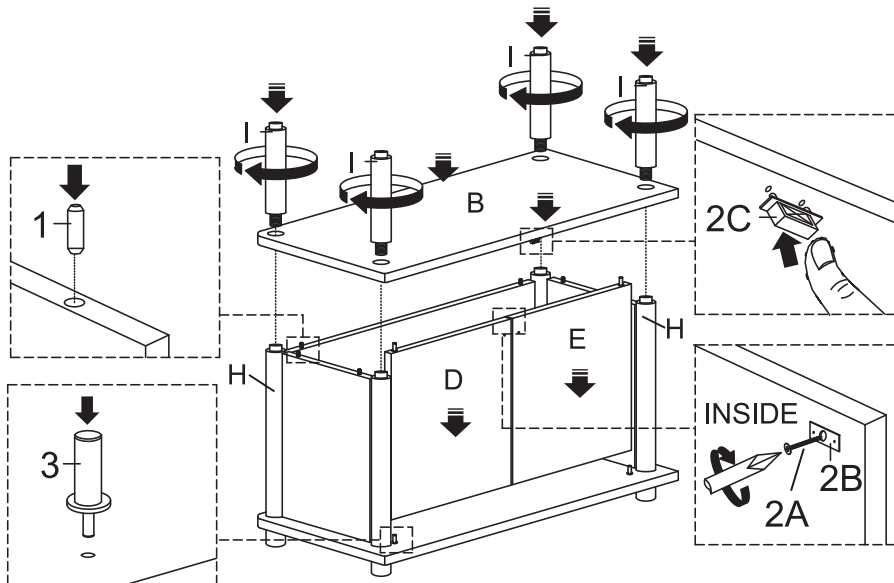
ATTACH SIDE PANELS ( G ) TO BOTTOM PANEL ( C ) USING PVC DOWEL ( 1 ) AS SHOWN.



### STEP 3

ATTACH LEFT DOOR ( D ) AND RIGHT DOOR ( E ) PANELS TO BOTTOM PANEL ( C ) USING SPRING ( 3 ) AS SHOWN.

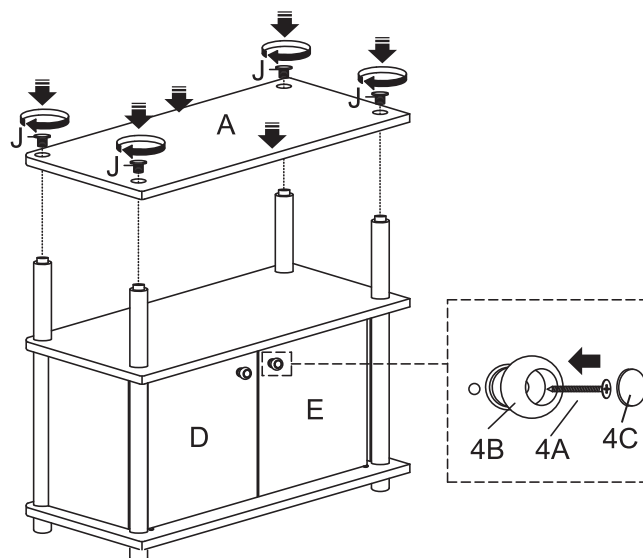
ATTACH SHELF PANEL ( B ) TO LONG TUBES ( H ) USING PVC DOWELS ( 1 ) AS SHOWN.



### STEP 4

ATTACH TOP PANEL ( A ) TO SHORT TUBES ( I ) USING CAPS ( J ) AS SHOWN.

ATTACH DOOR KNOB KIT TO THE DOOR PANELS ( D, E ) AS SHOWN.



Do you have any questions ? Missing small parts or hardware ?  
If you need assistance with the assembly of your  
TV STAND WITH STORAGE CABINET please e-mail our Customer Service  
Department at:  
**support@fourstari.com**  
or call us at (508) 435-4830  
or (800) 639-3803

Please include the following information in your email:

- Where item was purchased
- Item, model, style or SKU number listed on instructions or box
- Part number, description of the part and quantity needed

This information will help us get the proper part to you faster