

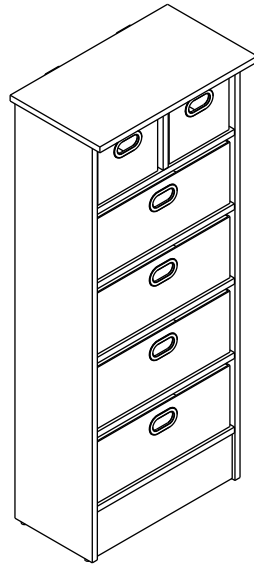


fourstargroup

MODEL: 11222722CB 6 DRAWER ORGANIZER

Total maximum weight limits 28 Lbs.

Inclde:
Small bins 4 Lbs x 2 = 8 Lbs
Big bins 5 Lbs x 4 = 20 Lbs



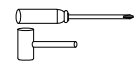
BEFORE YOU BEGIN, PLEASE READ ASSEMBLY INSTRUCTIONS CAREFULLY. FOLLOW THEM STEP BY STEP.

CAUTION:

1. ADULT SUPERVISION IS REQUIRED DUE TO SMALL PARTS. CARE SHOULD BE TAKEN IN THE UNPACKING AND ASSEMBLY OF THE PRODUCT.
2. ASSEMBLE ON SOFT SURFACES TO PREVENT DAMAGE TO THE PRODUCT FINISH.
3. MAKE SURE ALL PARTS ARE INCLUDED BEFORE ASSEMBLY.
4. NOT FOR USE ON HIGH PILE CARPETING.
5. PLACE DESK ON FLAT LEVEL SURFACE.

ASSEMBLY TOOLS REQUIRED

- SCREWDRIVER
- HAMMER

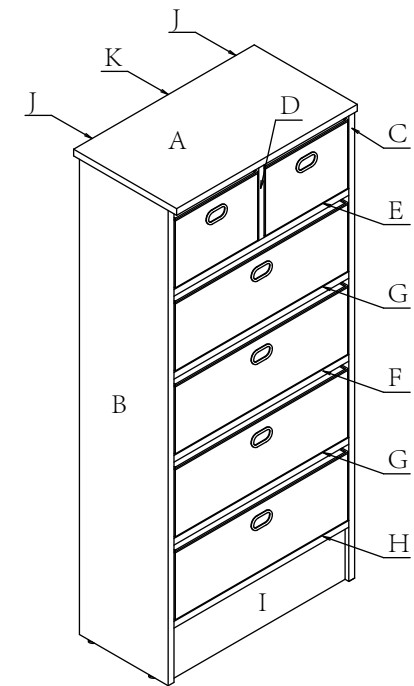


Do you have any questions? Missing small parts or hardware? If you need assistance with the assembly of your 6 DRAWER ORGANIZER please e-mail our Customer Service Department at: support@fourstari.com or call us at (800) 639-3803 if calling locally from Massachusetts area

Please include the following information in your email:
• Where item was purchased • Item, model, style or SKU number listed on instructions or box • Part number, description of the part and quantity needed
This information will help us get the proper part to you faster

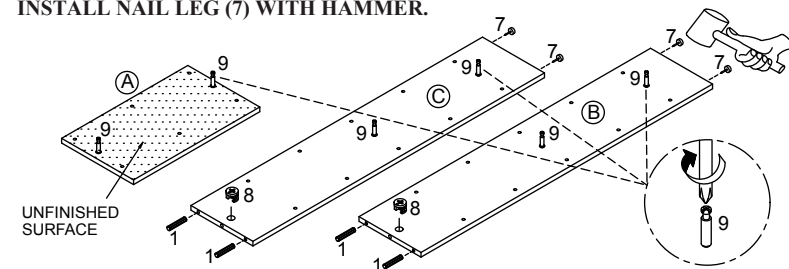
PARTS AND HARDWARE LIST

NO	PARTS LIST	QTY	NO	HARDWARE LIST	QTY
A	TOP PANEL	1 PC	1	PLASTIC DOWEL	28 PCS
B	LEFT SIDE PANEL	1 PC	2	SCREW	4 PCS
C	RIGHT SIDE PANEL	1 PC	3	L-BRACKET	2 PCS
D	CENTER PANEL	1 PC	4	POWER PIN	18 PCS
E	1 ST SHELF PANEL	1 PC	5	NON-WOVEN BIN(BIG)	4 PCS
F	3 RD SHELF PANEL	1 PC	6	NON-WOVEN BIN(SMALL)	2 PCS
G	2 ND & 4 TH SHELF PANEL	2 PCS	7	NAIL LEG	4 PCS
H	BOTTOM PANEL	1 PC	8	CAM-LOCK NUT	6 PCS
I	SKIRT PANEL	1 PC	9	CAM-LOCK SCREW	6 PCS
J	SIDE BACK PANEL	2 PCS	10	COVER STICKER	6 PCS
K	CENTER BACK PANEL	1 PC			

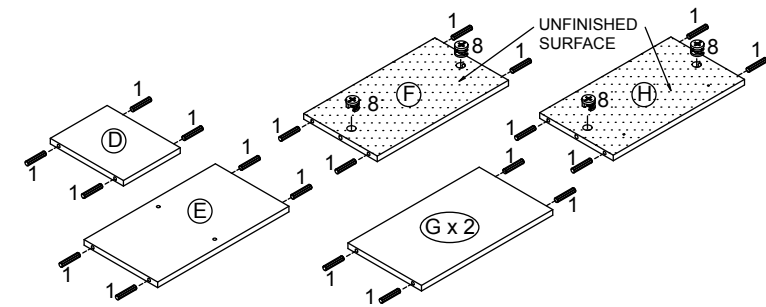


ASSEMBLY INSTRUCTIONS

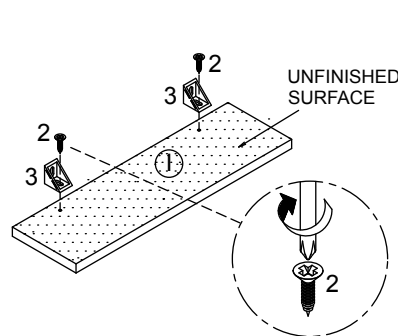
STEP 1
INSTALL DOWEL (1) INTO PANEL (B) & (C), AS SHOWN. INSERT CAM-LOCK NUT (8) INTO THE PRE-DRILLED HOLES ON PANEL (B) & (C). INSERT AND SECURE CAM-LOCK SCREW (9) INTO THE PRE-DRILLED HOLES ON (A) (B) & (C). INSTALL NAIL LEG (7) WITH HAMMER.



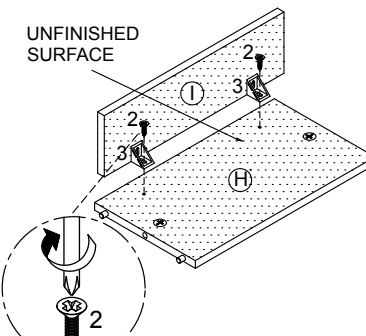
STEP 2
INSTALL DOWEL (1) INTO PANEL (D) (E) (F) (G) (H), AS SHOWN. INSERT CAM-LOCK NUT (8) INTO THE PRE-DRILLED HOLES ON PANEL (F) & (H).



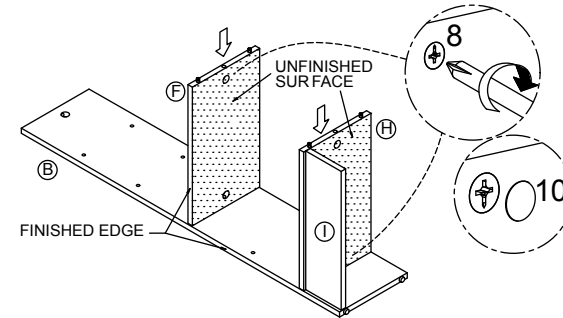
STEP 3
TIGHTEN BRACKET (3) TO PANEL (I) WITH SCREW (2).



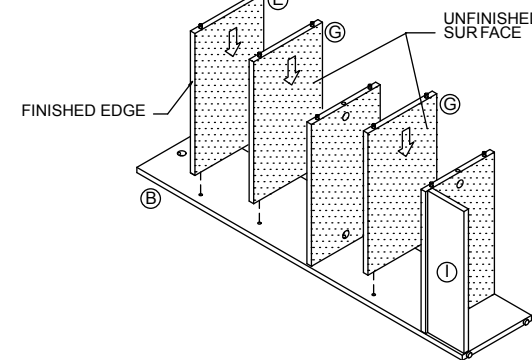
STEP 4
REINFORCE PANEL (I) TO PANEL (H) WITH SCREW (2).



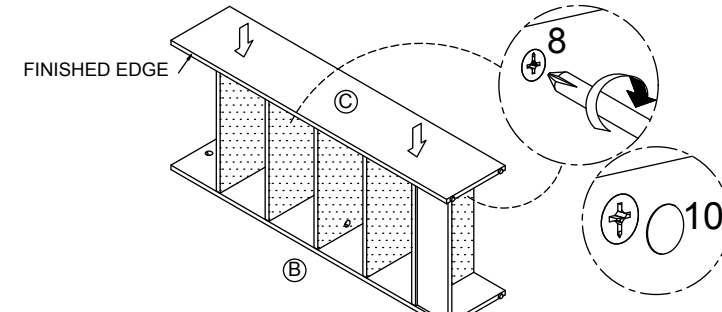
STEP 5
ATTACH PANEL (F) TO PANEL (B). TIGHTEN CAM-LOCK NUT (8) USING SCREWDRIVER. COVER CAM LOCK WITH COVER STICKER (10).



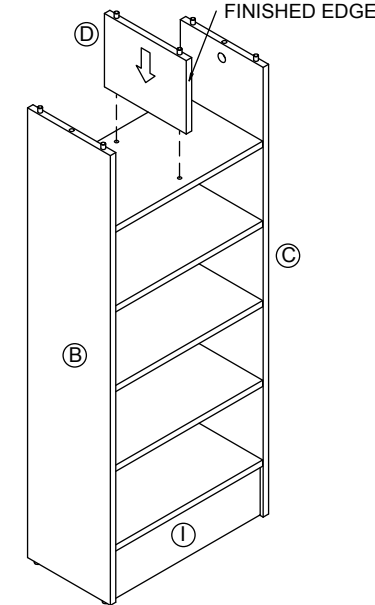
STEP 6
ATTACH PANEL (E) & (G) TO PANEL (B).



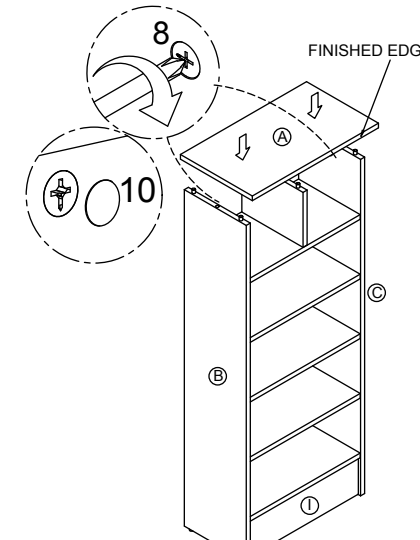
STEP 7
ATTACH PANEL (C) TO ASSEMBLED UNIT. TIGHTEN CAM-LOCK NUT (8) USING SCREWDRIVER. COVER CAM LOCK WITH COVER STICKER (10).



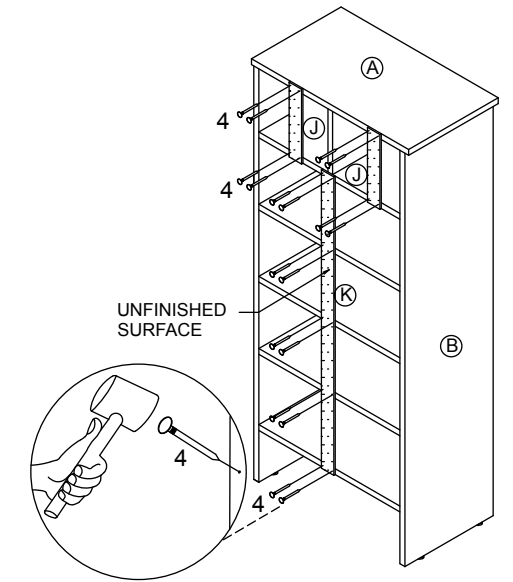
STEP 8
ATTACH PANEL (D) TO ASSEMBLED UNIT.



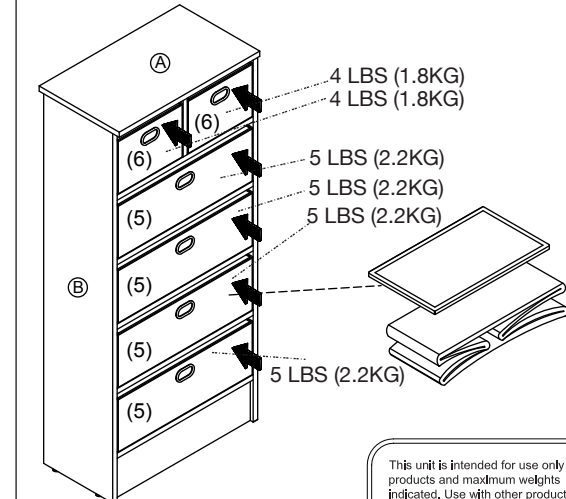
STEP 9
ATTACH PANEL (A) TO ASSEMBLED UNIT. TIGHTEN CAM-LOCK NUT (8) USING SHORT SCREWDRIVER. COVER CAM LOCK WITH COVER STICKER (10).



STEP 10
ATTACH PANEL (J) & (K) TO THE BACK POSITION OF STORAGE WITH POWER PIN (4).



STEP 11
UNFOLD THE BIN (5) & (6) AND SLIDE INTO THE STORAGE.



CAUTION: MAXIMUM LOADING CAPACITY IS 28 LBS.
DO NOT SIT, STAND, LEAN, WALK CLIMB OR JUMP ON FURNITURE! FAILURE TO COMPLY WITH THIS CAUTION COULD RESULT IN PERSONAL INJURY AND/OR PROPERTY DAMAGE!

This unit is intended for use only with the products and maximum weights indicated. Use with other products or products heavier than the maximum weights indicated may result in instability causing possible injury. Furniture can tip over or break if improperly moved. Have a friend help to lift and carry the unit to it's new location.