



MODEL: 11210347CB
ENTERTAINMENT CENTER

fourstargroup

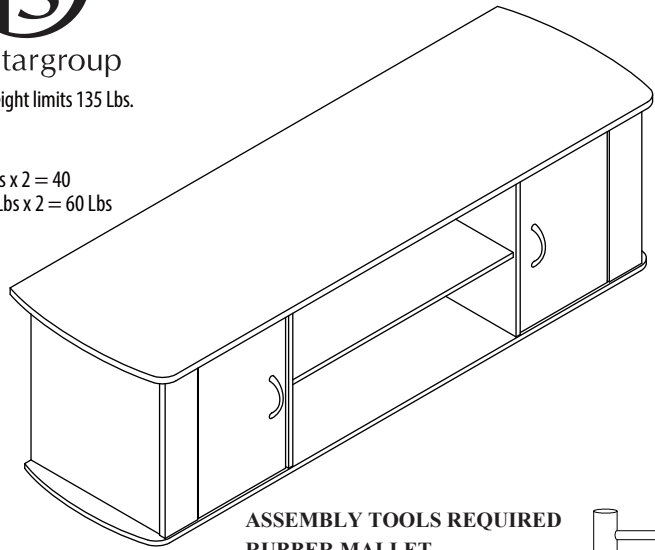
Total maximum weight limits 135 Lbs.

Inclde:

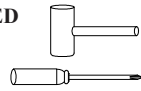
Top panel 35 Lbs

Bottom shelf 20 Lbs x 2 = 40

Side door shelf 30 Lbs x 2 = 60 Lbs



ASSEMBLY TOOLS REQUIRED
RUBBER Mallet
SCREWDRIVER



BEFORE YOU BEGIN, PLEASE READ ASSEMBLY INSTRUCTIONS CAREFULLY. FOLLOW THEM STEP BY STEP.

CAUTION:

- ADULT SUPERVISION IS REQUIRED DUE TO SMALL PARTS. CARE SHOULD BE TAKEN IN THE UNPACKING AND ASSEMBLY OF THE PRODUCT.
- ASSEMBLE ON SOFT SURFACES TO PREVENT DAMAGE TO THE PRODUCT FINISH.
- MAKE SURE ALL PARTS ARE INCLUDED BEFORE ASSEMBLY.
- PLACE ENTERTAINMENT CENTER ON FLAT, LEVEL SURFACE. ENTERTAINMENT CENTER WILL NOT BE STABLE ON HIGH PILE CARPETING OR OUT OF LEVEL SURFACES. NOT FOR USE ON HIGH PILE CARPETING OR OTHER SIMILAR SURFACES.
- SHOULD YOU HAVE REASON FOR CONCERN FOR STABILITY AND SECURITY, TIPPING OR KNOCKING OF THE TELEVISION DUE TO, BUT NOT LIMITED TO, SMALL CHILDREN, PETS OR LOCATION, PLEASE TETHER TELEVISION TO THE WALL TO PREVENT IT FROM TIPPING. TETHER NOT INCLUDED, REFER TO TELEVISION USER'S MANUAL OR AFTER MARKET ACCESSORY DEALERS.
- NOT FOR USE WITH TUBE STYLE, CRT TELEVISIONS. WEIGHT LIMIT 135 LBS.

Do you have any questions? Missing small parts or hardware? If you need assistance with the assembly of your ENTERTAINMENT CENTER please e-mail our Customer Service Department at: support@fourstari.com or call us at (800) 639-3803 if calling locally from Massachusetts area

Please include the following information in your email:
• Where item was purchased • Item, model, style or SKU number listed on instructions or box • Part number, description of the part and quantity needed

This information will help us get the proper part to you faster

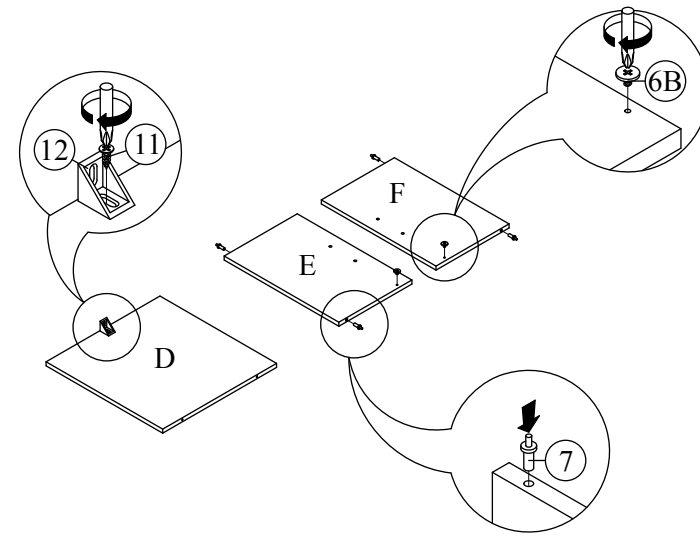
PARTS LIST AND HARDWARE

NO	HARDWARE LIST	QTY
1	C/B SCREW M4X32mm	8 PCS
2	WOODEN DOWEL M5x25 mm	16 PCS
3	WHITE GLUE	1 PC
4	PE LEG WITH PLUG	6 PCS
5	PE SHELF SUPPORT	4 PCS
6	MAGNET KIT 6A 6B	2 PCS
7	DOOR SPRING SUPPORT	4 PCS
8	HANDLE	2 PCS
9	CSK SCREW #5 X 5/8"	4 PCS
10	POWER PIN	16 PCS
11	C/B SCREW 3.5X10MM	4 PCS
12	BRACKET	2 PCS

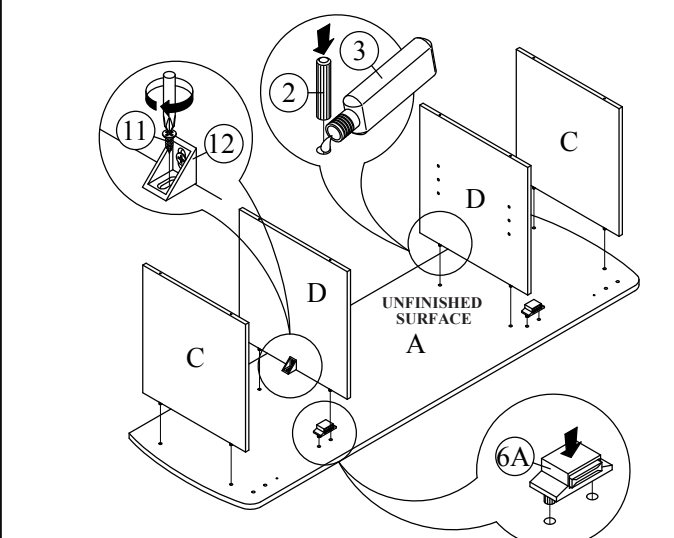
NO	PARTS LIST	QTY
A	TOP PANEL	1 PC
B	BOTTOM PANEL	1 PC
C	SIDE PANEL	2 PCS
D	CENTER SIDE PANEL	2 PCS
E	LEFT DOOR PANEL	1 PC
F	RIGHT DOOR PANEL	1 PC
G	FRONT APRON PANEL	2 PCS
H	SHELF PANEL	1 PC
I	BACK PANEL	2 PCS

ASSEMBLY INSTRUCTIONS

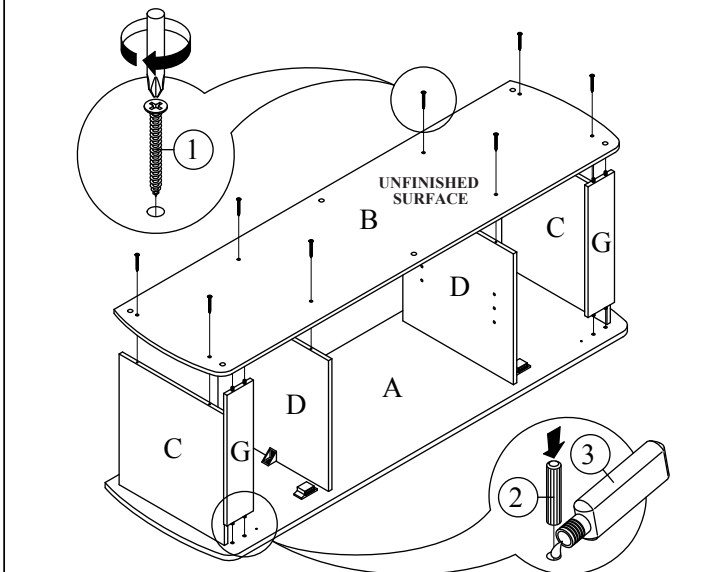
STEP 1
1.1 ATTACH BRACKET (12) TO CENTER SIDE PANEL (D) WITH 3.5X10MM C/B SCREW (11).
1.2 ATTACH DOOR SPRING SUPPORT (7) AND MAGNET PARTS (6B) TO LEFT DOOR PANEL (E) & RIGHT DOOR PANEL (F) AS SHOWN.



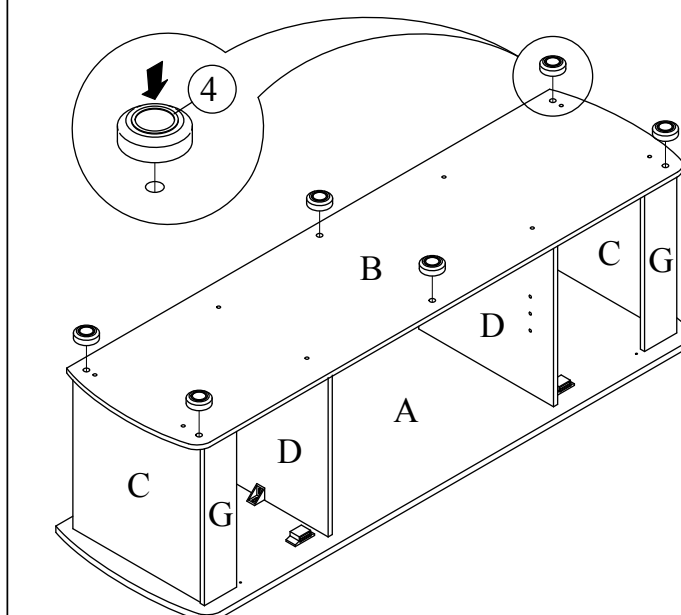
STEP 2
2.1 ATTACH ASSEMBLED CENTER SIDE PANEL (D) AND SIDE PANEL (C) TO TOP PANEL (A) BY USING DOWEL (2) & GLUE (3).
2.2 SECURE BRACKET (12) BY USING 3.5X10MM C/B SCREW (11) AND ATTACH MAGNET (6A) TO TOP PANEL (A).



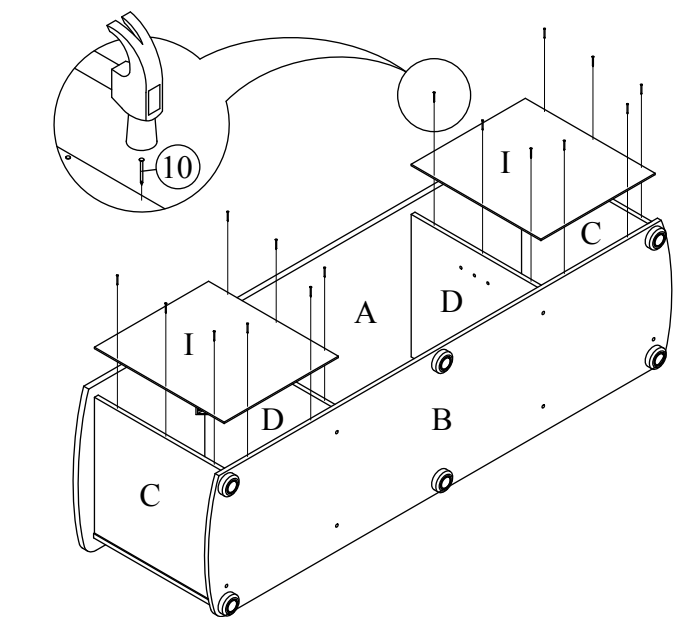
STEP 3
ATTACH FRONT SUPPORT PANEL (G) AND BOTTOM PANEL (B) TO ASSEMBLED STEP 2 USING WOOD DOWEL (2), GLUE (3) AND SCREW (1) AS SHOWN.



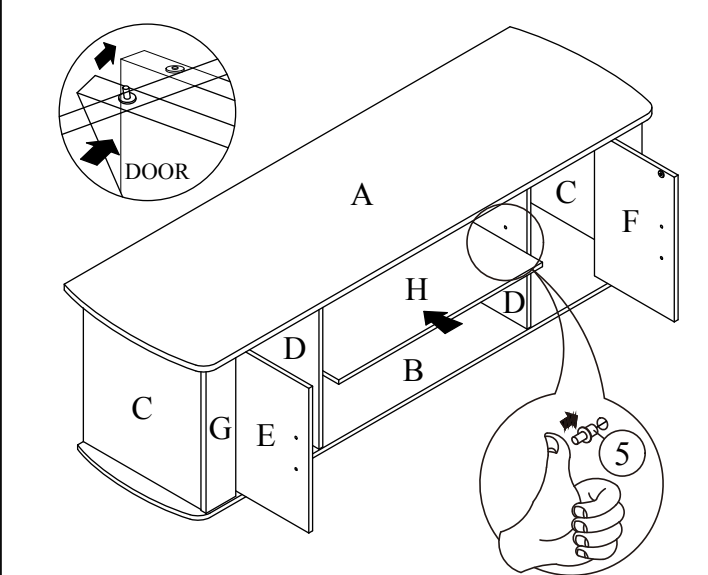
STEP 4
ATTACHED PE LEG WITH PLUG (4) TO BOTTOM PANEL (B).



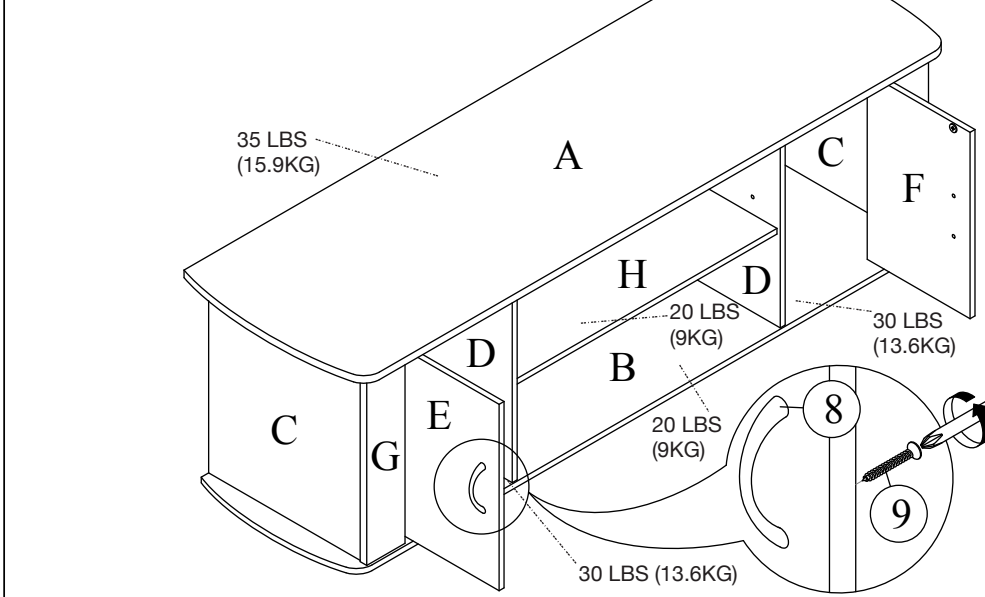
STEP 5
ATTACHED BACK PANEL (I) USING POWER PIN (10) AS SHOWN.



STEP 6
6.1 ATTACH LEFT DOOR PANEL (E) RIGHT DOOR PANEL (F) TO ASSEMBLED STEP 5.
6.2 ATTACH PE SHELF SUPPORT (5) AND PLACE SHELF PANEL (H).



STEP 7
ATTACH HANDLE (8) TO LEFT DOOR PANEL (E) RIGHT DOOR PANEL (F) USING SCREW (9).



CAUTION: MAXIMUM LOADING CAPACITY IS 135 LBS.
DO NOT SIT, STAND, LEAN, WALK CLIMB OR JUMP ON FURNITURE! FAILURE TO COMPLY WITH THIS CAUTION COULD RESULT IN PERSONAL INJURY AND/OR PROPERTY DAMAGE!

This unit is intended for use only with the products and maximum weights indicated. Use with other products or products heavier than the maximum weights indicated may result in instability causing possible injury. Furniture can tip over or break if improperly moved. Have a friend help to lift and carry the unit to it's new location.