

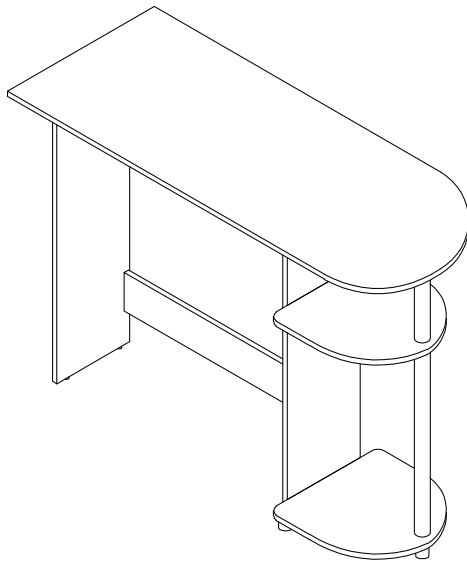


fourstargroup

Total maximum weight limits 115 Lbs.

Inculde:
Top panel 75 Lbs
Side shelf 20 Lbs x 2 = 40

MODEL: 11210344CB COMPUTER DESK

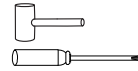


BEFORE YOU BEGIN, PLEASE READ ASSEMBLY INSTRUCTIONS CAREFULLY. FOLLOW THEM STEP BY STEP.

CAUTION:

- ADULT SUPERVISION IS REQUIRED DUE TO SMALL PARTS. CARE SHOULD BE TAKEN IN THE UNPACKING AND ASSEMBLY OF THE PRODUCT.
- ASSEMBLE ON SOFT SURFACES TO PREVENT DAMAGE TO THE PRODUCT FINISH.
- MAKE SURE ALL PARTS ARE INCLUDED BEFORE ASSEMBLY.
- NOT FOR USE ON HIGH PILE CARPETING.
- PLACE DESK ON FLAT LEVEL SURFACE.

ASSEMBLY TOOLS REQUIRED
RUBBER Mallet
SCREWDRIVER



Do you have any questions? Missing small parts or hardware? If you need assistance with the assembly of your COMPUTER DESK please e-mail our Customer Service Department at: support@fourstari.com or call us at (800) 639-3803 if calling locally from Massachusetts area. Please include the following information in your email:

- Where item was purchased
- Item, model, style or SKU number listed on instructions or box
- Part number, description of the part and quantity needed

This information will help us get the proper part to you faster

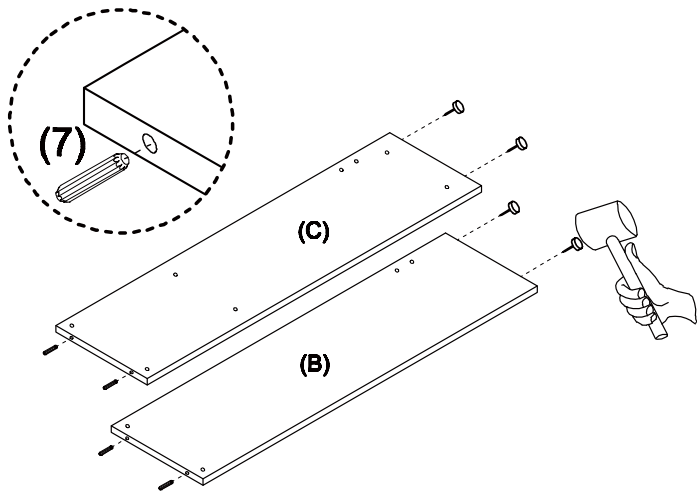
PARTS LIST AND HARDWARE

NO	HARDWARE LIST	QTY
1	EXTRA LONG POLE	1 PC
2	MEDIUM POLE	1 PC
3	ROUND LEG	1 PC
4	LEG	2 PCS
5	INSERT CAP	1 PC
6	SCREW	12 PCS
7	DOWEL	4 PCS
8	L-BRACKET	2 PCS
9	SCREW (FOR L-BRACKET)	4 PCS
10	NAIL LEG	4 PCS
11	WHITE GLUE	1 PC

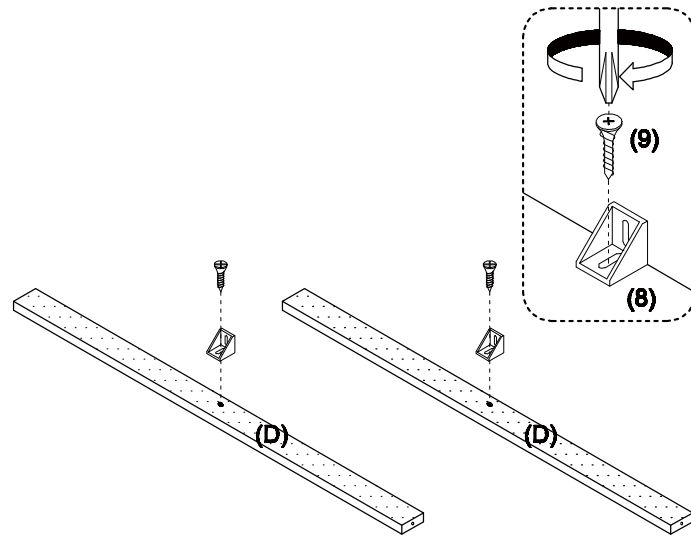
NO	PARTS LIST	QTY
A	TOP PANEL	1 PC
B	LEFT SIDE PANEL	1 PC
C	RIGHT SIDE PANEL	1 PC
D	TOP CROSS BAR	2 PCS
E	BACK PANEL	1 PC
F	SIDE SHELF PANEL 1	1 PC
G	SIDE SHELF PANEL 2	1 PC

ASSEMBLY INSTRUCTIONS

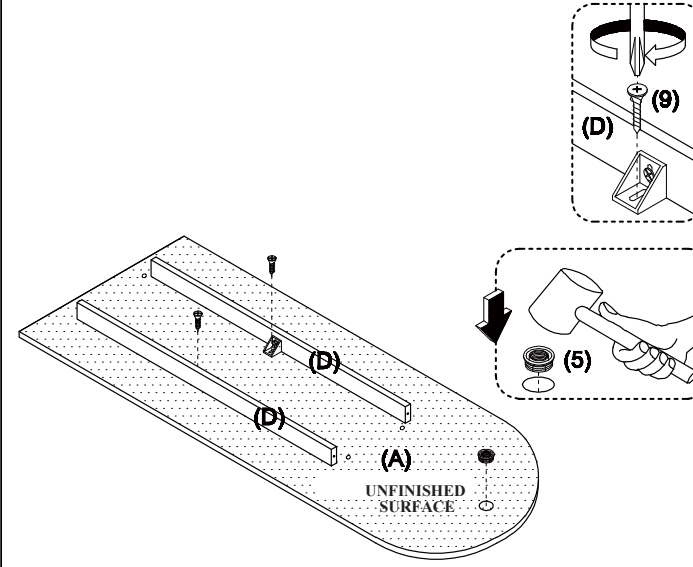
STEP 1
INSERT DOWEL (7) TO PANELS (B) & (C) AS SHOWN.
INSTALL NAIL LEG (10) TO THE BOTTOM SIDE OF PANEL (B) & (C) WITH HAMMER.



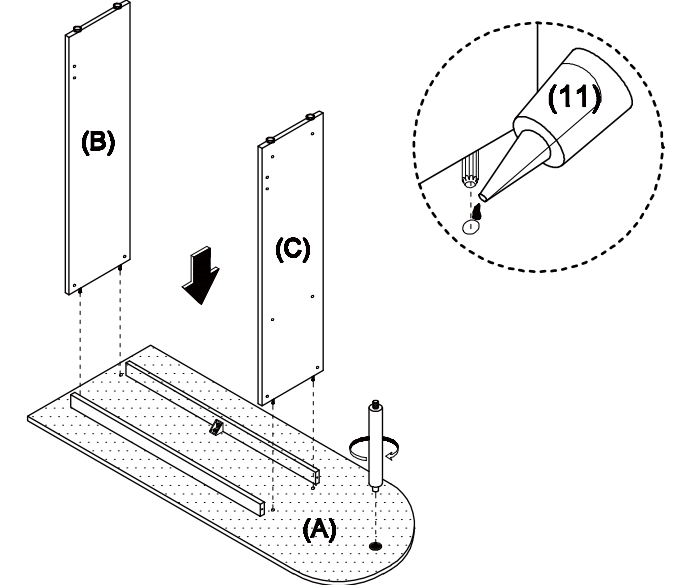
STEP 2
INSTALL L-BRACKET (8) WITH SCREW (9) TO PANEL (D).



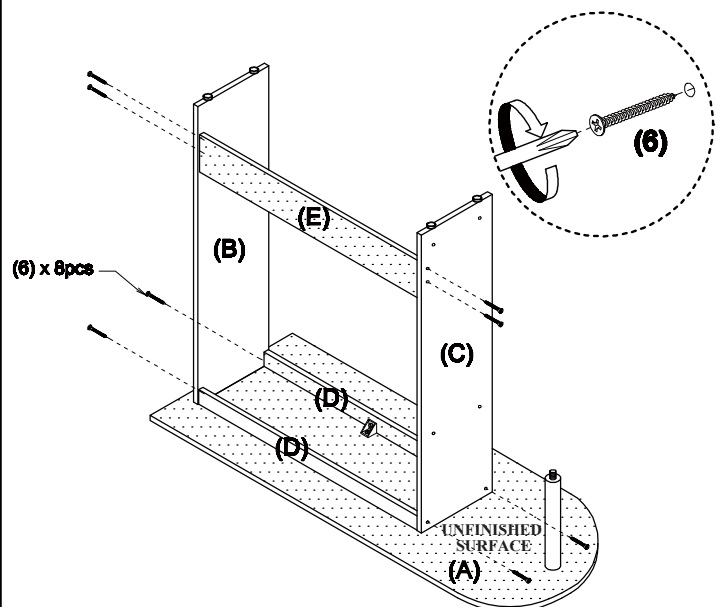
STEP 3
3.1 INSTALL INSERT CAP (5) INTO PANEL (A) BY USING Mallet.
3.2 ATTACH PANEL (D) TO PANEL (A) WITH SCREW (9).



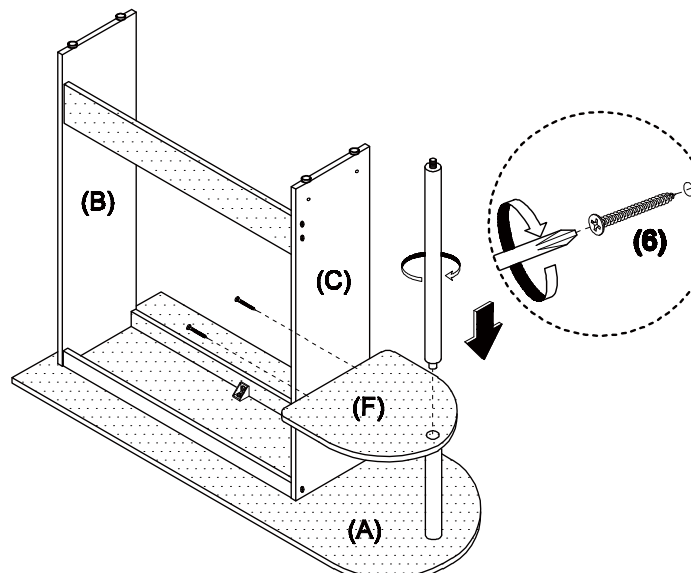
STEP 4
4.1 ATTACH PANEL (B) & (C) TO PANEL (A) WITH GLUE (11).
4.2 TIGHTEN POLE (2) TO INSERT CAP (5).



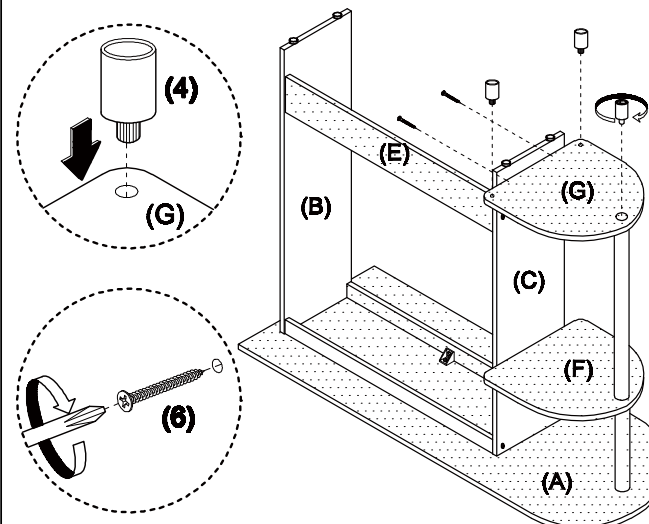
STEP 5
FASTEN PANEL (D) & (E) TO PANEL (B) & (C) WITH SCREW (6).



STEP 6
6.1 ATTACH PANEL (F) TO PANEL (C) WITH SCREW (6).
6.2 TIGHTEN POLE (1) TO POLE (2).



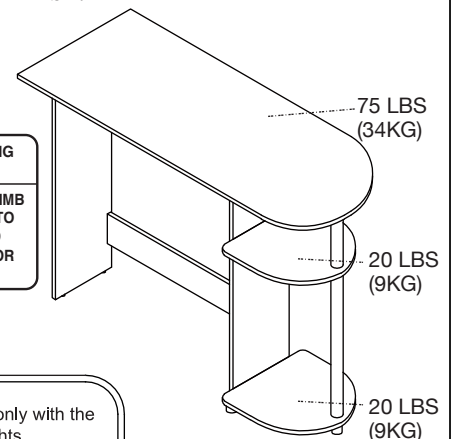
STEP 7
7.1 ATTACH PANEL (G) TO PANEL (C) WITH SCREW (6).
7.2 TIGHTEN LEG (3) TO POLE (1).
7.3 INSERT LEG (4) TO PANEL (G).



STEP 8
UPRIGHT THE COMPUTER DESK.

CAUTION: MAXIMUM LOADING CAPACITY IS 115 LBS.
DO NOT SIT, STAND, LEAN, WALK, CLIMB OR JUMP ON FURNITURE! FAILURE TO COMPLY WITH THIS CAUTION COULD RESULT IN PERSONAL INJURY AND/OR PROPERTY DAMAGE!

This unit is intended for use only with the products and maximum weights indicated. Use with other products or products heavier than the maximum weights indicated may result in instability causing possible injury. Furniture can tip over or break if improperly moved. Have a friend help to lift and carry the unit to its new location.



WEIGHT MAXIMUM
115 LBS (52 KG)