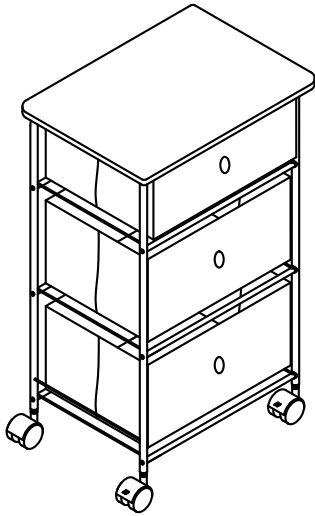




fourstargroup

ITEM:
MS 30-084-006-61

THIS INSTRUCTION MANUAL CONTAINS **IMPORTANT** SAFETY INFORMATION. PLEASE READ AND KEEP FOR FUTURE REFERENCE. THIS INSTRUCTION MANUAL IS PRINTED ON RECYCLED PAPER USING EARTH FRIENDLY SOY BASED INK.



UPC# 049696121347 MODEL: MS 30-084-006-61

3-DRAWER CART

STOP Do not return to the store

Do you have any questions? Missing small parts or hardware? If you need assistance with the assembly of your 3-DRAWER CART please e-mail our Customer Service Department at: support@fourstari.com or call us at 1-800-639-3803

Please let customer service know:

1. You purchased this item from Wal-Mart
 2. The item description is: 3-DRAWER CART
 3. The item number is MS 30-084-006-61
 4. The part number/letter and quantity needed
- If you have this information ready, we will be able to process your request promptly. Thank you

LOT# _____ DATE PURCHASED ____ / ____ / ____

CAUTION :

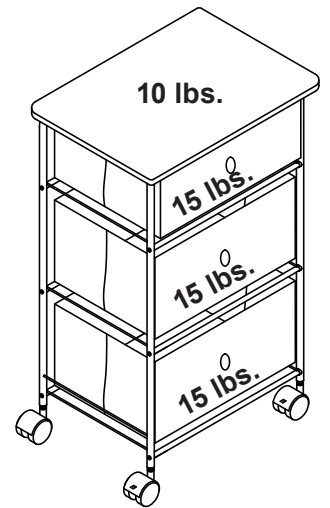
1. Read this instruction manual and keep it for reference.
2. Adult supervision is required due to small parts.
3. Assemble on soft surfaces to prevent damage to the product finish.
4. Recommended two people to assemble the product.
5. Estimated half hour for assembly.
6. Make sure all parts are included before assembly.
7. Call our toll-free customer service if needed.

ASSEMBLY TOOLS REQUIRED

PHILLIPS SCREWDRIVER



This unit is intended for use only with the products and maximum weights indicated. Use with other products or products heavier than the maximum weights indicated may result in instability causing possible injury. Furniture can tip over or break if improperly moved.



2

PARTS AND HARDWARE

BEFORE YOU BEGIN, PLEASE FOLLOW ASSEMBLY INSTRUCTIONS CAREFULLY. FOLLOW THEM STEP BY STEP.

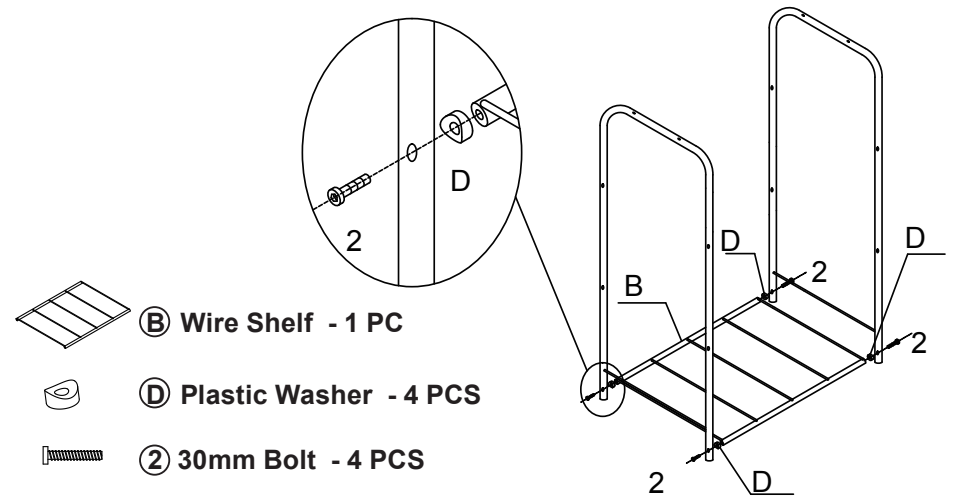
Part Name	Line-art Drawing	Size	Quantity	Material	Finish
A Leg Frame		71 x 30 cm	2	Metal	Silver
B Wire Shelf		38 x 29.5 cm	3	Metal	Silver
C Top Panel		45.7 x 33 x 1.2 cm	1	MDF	Black
D Plastic Washer		1.3 x 0.35 cm	12	Plastic	Black
E Locking Caster		4 cm	2	Plastic	Black
F Caster		4 cm	2	Plastic	Black
G Non-Woven Bin		38 x 26.5 x 21 cm	3	Fabric	Fuchsia
H Bottom Bin Support		36.2 x 25.2 cm	3	Fabric	Fuchsia
1 28mm Screw		0.5 x 2.8 cm	4	Metal	Silver
2 30mm Bolt		0.6 x 3 cm	12	Metal	Silver
3 Allen Wrench		5.6 x 2.2 x 0.4 cm	1	Metal	Silver
4 Wrench		6.9 x 2.2 x 0.14 cm	1	Metal	Silver

3

ASSEMBLY INSTRUCTIONS

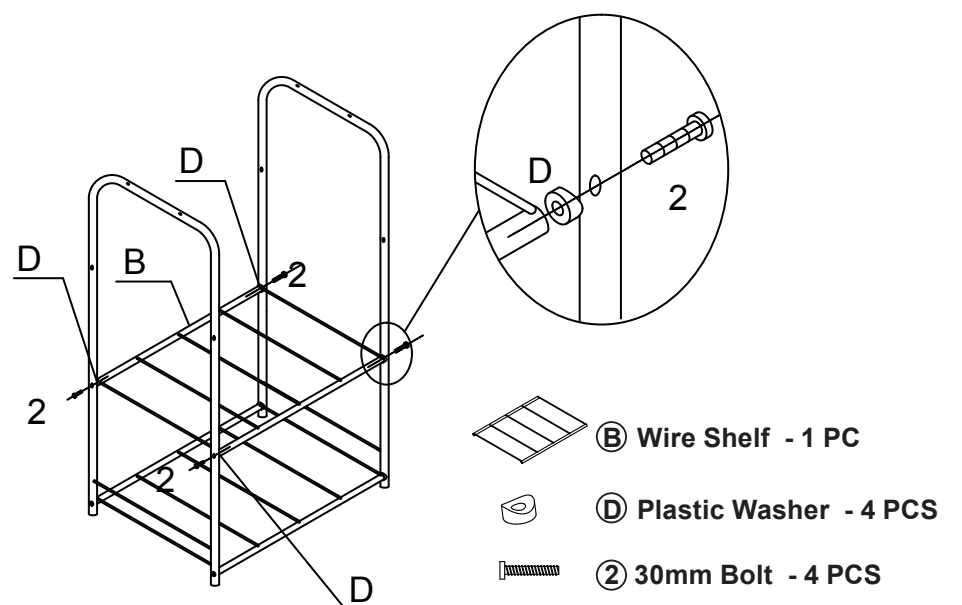
Step 1.

Attach WIRE SHELF (B) to each LEG FRAME (A) using 30MM BOLTS (2) and PLASTIC WASHERS (D) as shown.



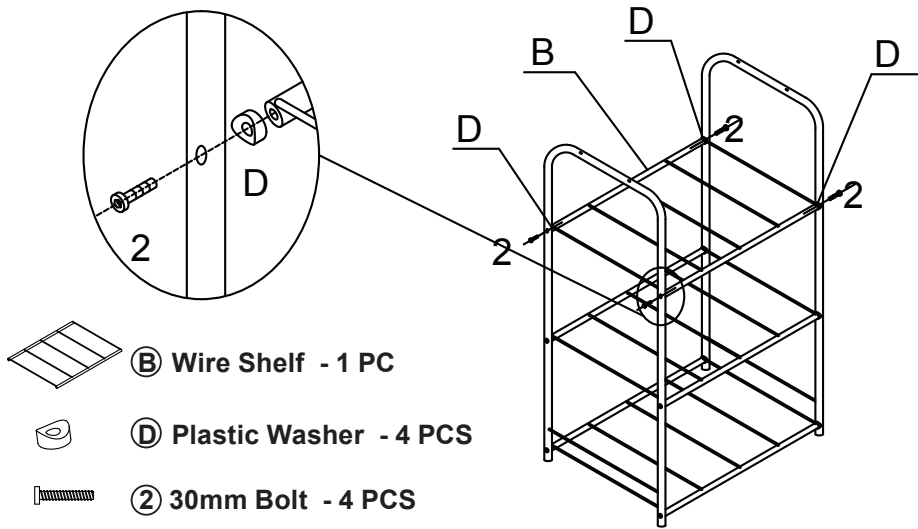
Step 2.

Repeat STEP 1. Attach WIRE SHELF (B) to each LEG FRAME (A) using 30MM BOLTS (2) and PLASTIC WASHERS (D) as shown.

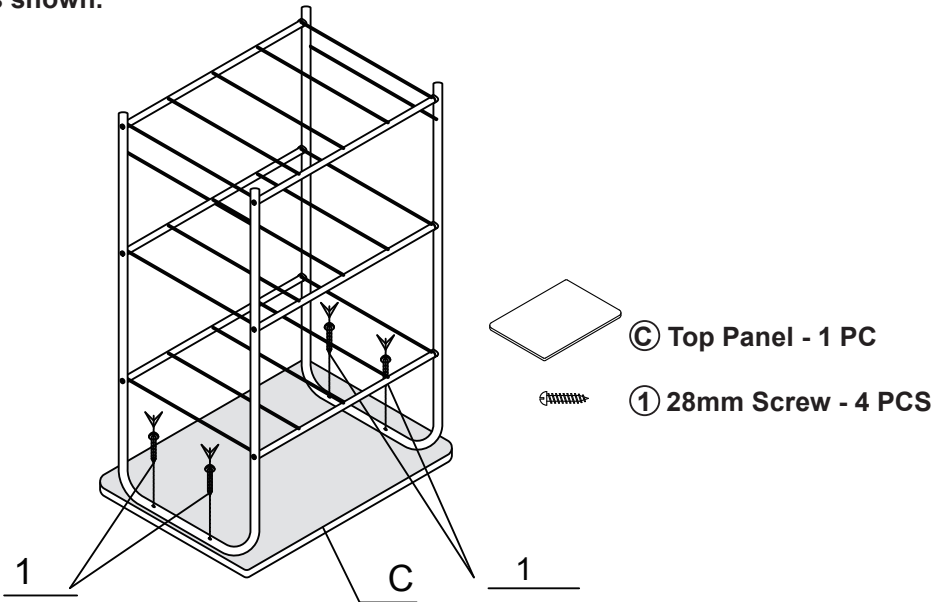


4

Step 3.
Repeat STEP 1. Attach WIRE SHELF (B) to each LEG FRAME (A) using 30MM BOLTS (2) and PLASTIC WASHERS (D) as shown.

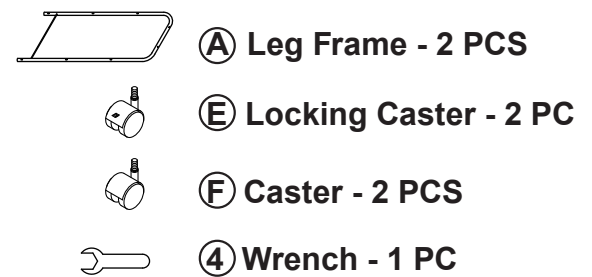
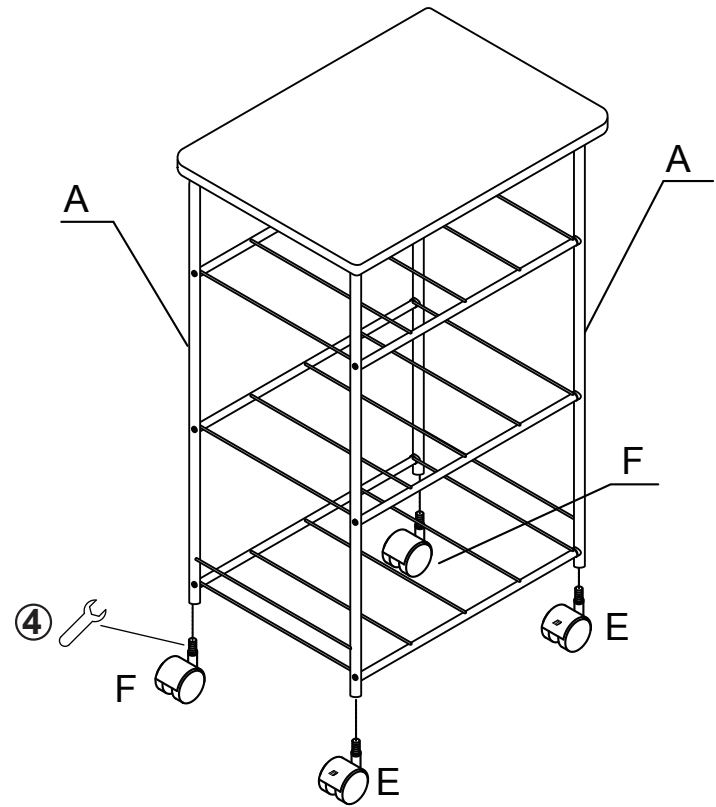


Step 4.
Attach LEG FRAMES (A) to TOP PANEL (C) using 28MM SCREWS (1) as shown.



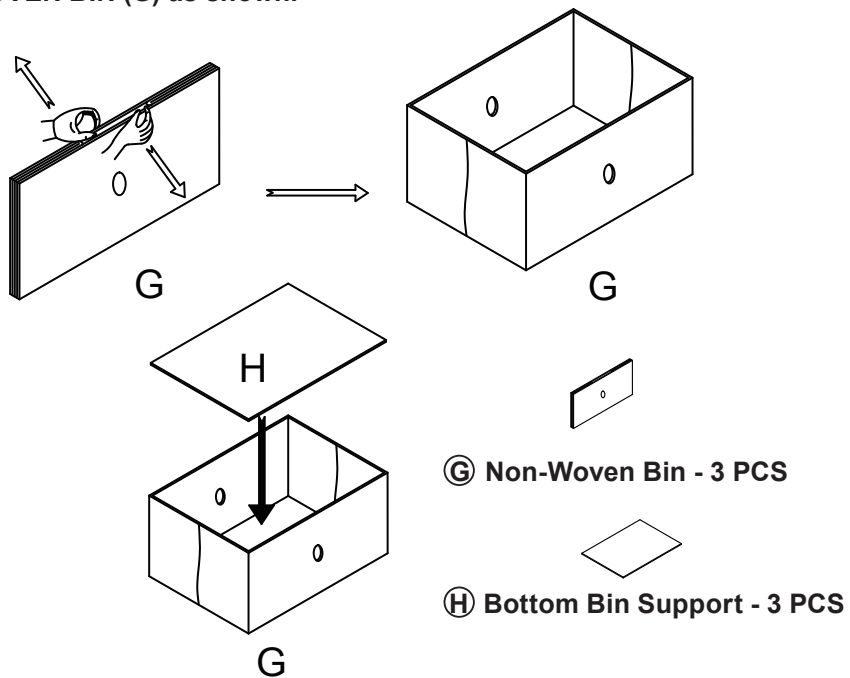
5

Step 5.
Attach CASTERS (F) and LOCKING CASTERS (E) to each LEG FRAME (A) using WRENCH (4) as shown.

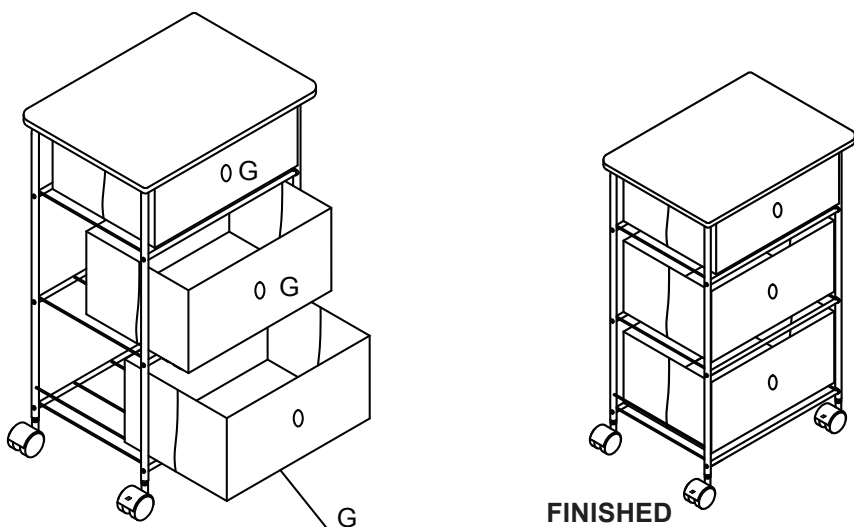


6

Step 6.
Unfold NON-WOVEN BIN (G) and put the BOTTOM BIN SUPPORT (H) into NON-WOVEN BIN (G) as shown.

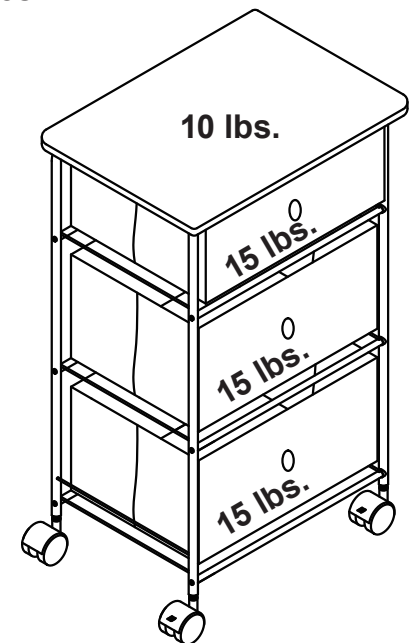


Step 7.
Repeat Step 6 to assemble the two remaining NON-WOVEN BINS (G) and place them onto the shelves as shown.



7

To clean the 3-drawer cart, wipe with soft, dry cloth. Apply a small amount of cleaning solution to the cloth if required. Do not use abrasive cleaners in order to prevent scratching the surfaces.



This unit is intended for use only with the products and maximum weights indicated. Use with other products or products heavier than the maximum weights indicated may result in instability causing possible injury. Furniture can tip over or break if improperly moved.

Do you have any questions? Missing small parts or hardware? If you need assistance with the assembly of your 3-DRAWER CART please e-mail our Customer Service Department at: support@fourstari.com or call us at 1-800-639-3803

8