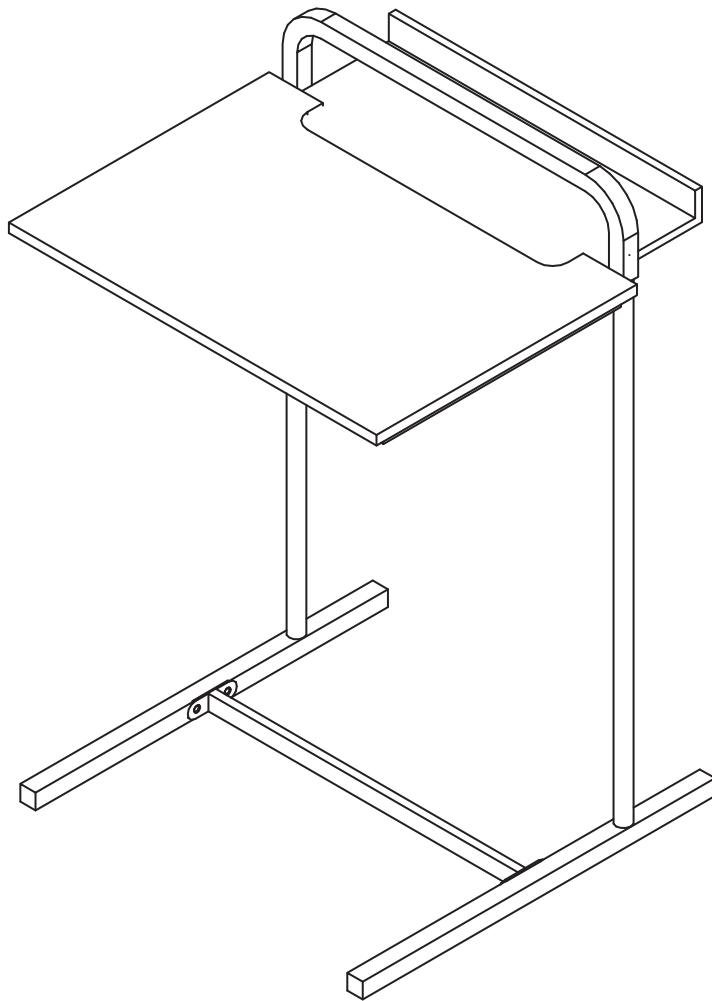




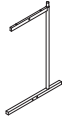
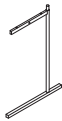










fourstargroup



MODEL: 11226514RW

METAL/WOOD WORK STATION

PARTS AND HAREWARE LIST

NO	PARTS LIST	QTY.
A	LEFT LEG FRAME 	1 PC
B	RIGHT LEG FRAME 	1 PC
C	BOTTOM CONNECTOR BAR 	1 PC
D	TOP CONNECTOR BAR 	1 PC
E	CROSS BAR 	1 PC
F	LARGE TOP PANEL 	1 PC
G	SMALL TOP PANEL 	1 PC
a	SMALL BOLT 	4 PCS
b	LARGE BOLT 	6 PCS
c	SCREW 	2 PCS
d	MEDIUM BOLT 	3 PCS
e	ALLEN WRENCH 	1 PC

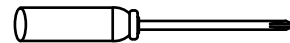
ASSEMBLY INSTRUCTIONS

BEFORE YOU BEGIN, PLEASE READ ASSEMBLY INSTRUCTIONS CAREFULLY, FOLLOW THEM STEP BY STEP.

CAUTION:

1. ADULT SUPERVISION IS REQUIRED DUE TO SMALL PARTS. CARE SHOULD BE TAKEN IN THE UNPACKING AND ASSEMBLY OF THE PRODUCT.
2. ASSEMBLE ON SOFT SURFACE TO PREVENT DAMAGE TO THE PRODUCT FINISH.
3. MAKE SURE ALL PARTS ARE INCLUDED BEFORE ASSEMBLY.

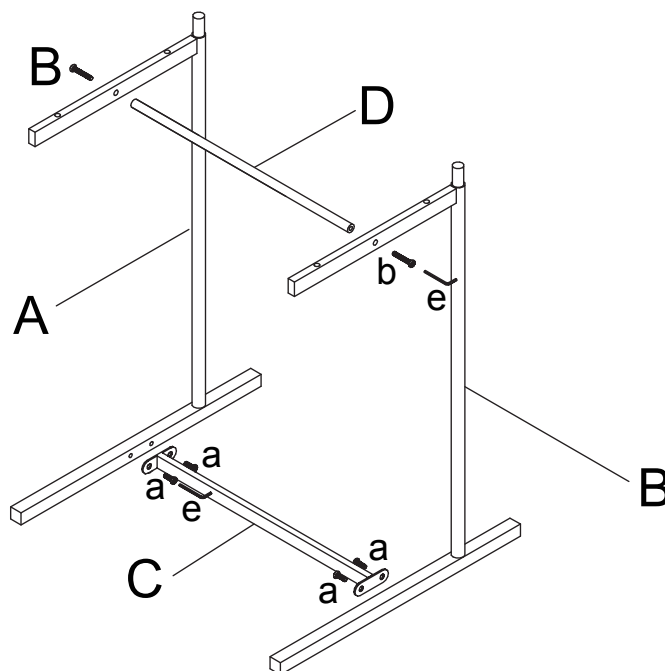
ASSEMBLY TOOL REQUIRED: PHILIPS SCREWDRIVER



STEP 1

ATTACH BOTTOM CONNECTOR BAR (C) AND TOP CONNECTOR BAR (D) TO THE LEG FRAME (A&B) USING SMALL BOLT (a) AND LARGE BOLT (b) WITH ACCESSARY ALLEN WRENCH (e) AS SHOWN.

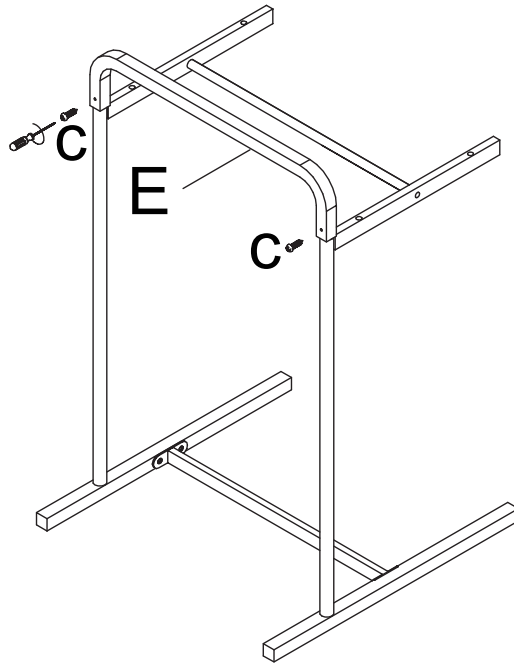
IMPORTANT: DO NOT TIGHTEN THE BOLTS AT THIS TIME



STEP 2

ATTACH THE CROSS BAR (E) TO THE LEG FRAME (A&B) USING SCREW (c) WITH PHILIPS SCREWDRIVER AS SHOWN.

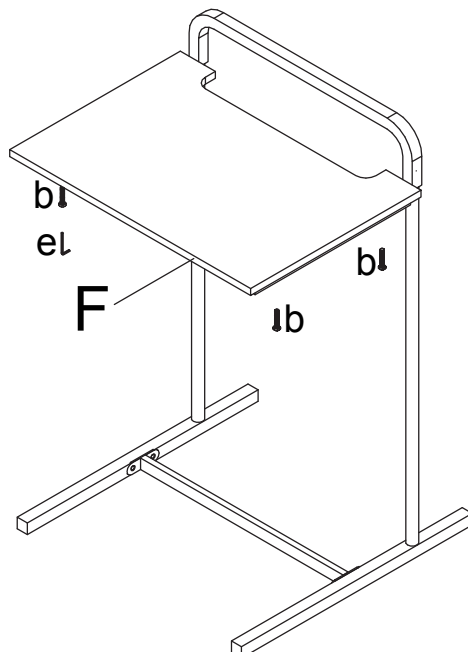
IMPORTANT: DO NOT TIGHTEN THE BOLTS AT THIS TIME



STEP 3

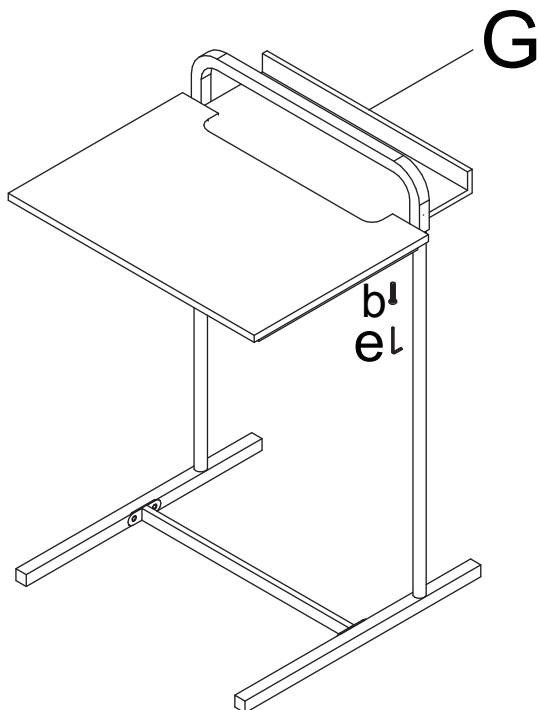
ATTACH THE LARGE TOP PANEL (F) TO THE STEP (2) METAL FRAME USING LARGE BOLT (b) WITH ACCESSARY ALLEN WRENCH AS SHOWN.

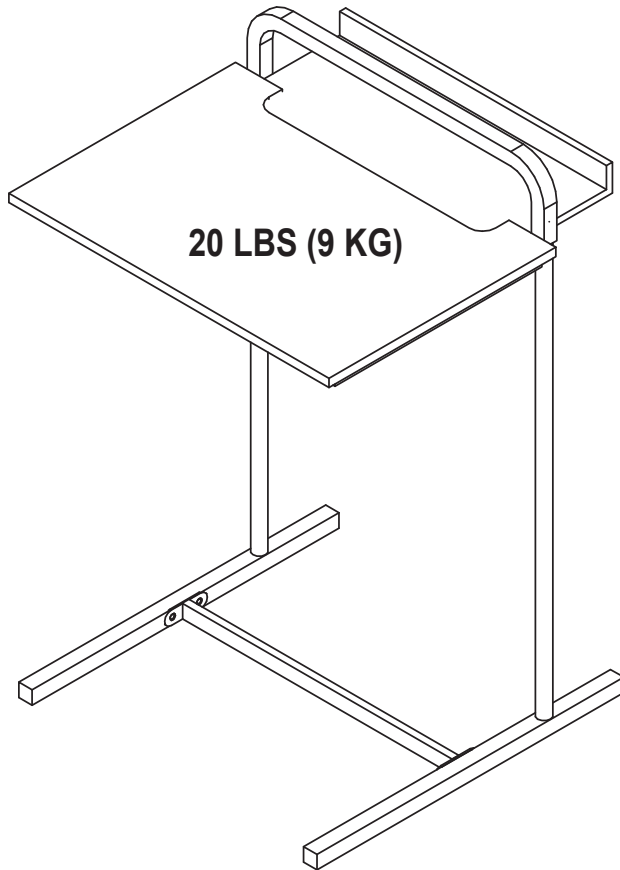
IMPORTANT: DO NOT TIGHTEN THE BOLTS AT THIS TIME



STEP 4

ATTACH SMALL TOP PANEL (G) TO THE LARGE TOP PANEL (F) USING MEDIUM BOLT (d) WITH ACCESSARY ALLEN WRENCH AS SHOWN, THEN TIGHTEN ALL THE BOLTS AND SCREWS.





CAUTION:
MAXIMUM LOADING CAPACITY IS 20 LBS (9 KG)

⚠ CAUTION: MAXIMUM LOADING CAPACITY IS 20 LBS.
DO NOT SIT, STAND, LEAN, WALK OR JUMP! FAILURE TO COMPLY WITH THIS CAUTION COULD RESULT IN PERSONAL INJURY AND/OR PROPERTY DAMAGE!

This unit is intended for use only with the products and maximum weights indicated. Use with other products or products heavier than the maximum weights indicated may result in instability causing possible injury. Furniture can tip over or break if improperly moved. Have a friend help to lift and carry the unit to it's new location.

Do you have any questions? Missing small parts or hardware? If you need assistance with the assembly of your **METAL/WOOD WORK STATION** please e-mail our Customer Service Department at: **support@fourstari.com** or call us at **(508) 473-7688, (800) 639-3803** or visit **www.fourstari.com**

Please include the following information when contacting us:

- Where item was purchased
- Item, model, style or SKU number listed on instructions or box
- Part number, description of the part and quantity needed
- Copy of Proof of Purchase from Authorized Reseller Required

This information will help us get the proper part to you faster.