

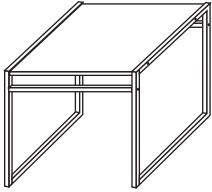
MODEL: 11225735

METAL END TABLE

BEFORE YOU BEGIN, PLEASE READ ASSEMBLY INSTRUCTIONS CAREFULLY. FOLLOW THEM STEP BY STEP.

CAUTION :

1. ADULT SUPERVISION IS REQUIRED DUE TO SMALL PARTS. CARE SHOULD BE TAKEN IN THE UNPACKING AND ASSEMBLING OF THIS PRODUCT.
2. ASSEMBLE ON SOFT SURFACE TO PREVENT DAMAGE TO THE PRODUCT FINISH.
3. MAKE SURE ALL PARTS ARE INCLUDED BEFORE ASSEMBLING.



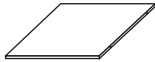
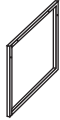



Do you have any questions? Missing small parts or hardware? If you need assistance with the assembly of your METAL END TABLE please e-mail our Customer Service Department at:

support@fourstari.com or call us at (800) 639-3803 or

(508) 473-7688 if calling locally from Massachusetts area

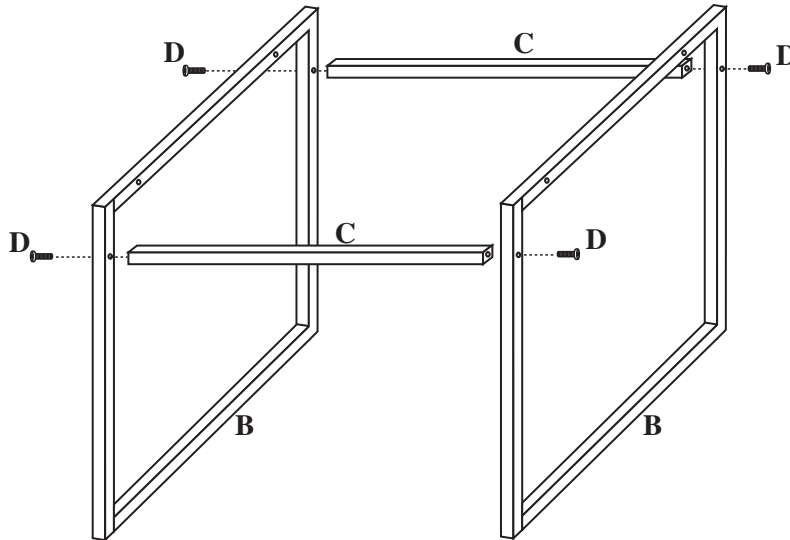
Please include the following information in your email:

- Where item was purchased • Item, model, style or SKU number listed on instructions or box • Part number, description of the part and quantity needed
- This information will help us get the proper part to you faster

NO	PARTS LIST	QTY
A	TOP PANEL 	1PC
B	FRAME 	2PCS
C	CROSSBAR 	2PCS
D	BOLT 	8PCS
E	ALLEN WRENCH 	1PC

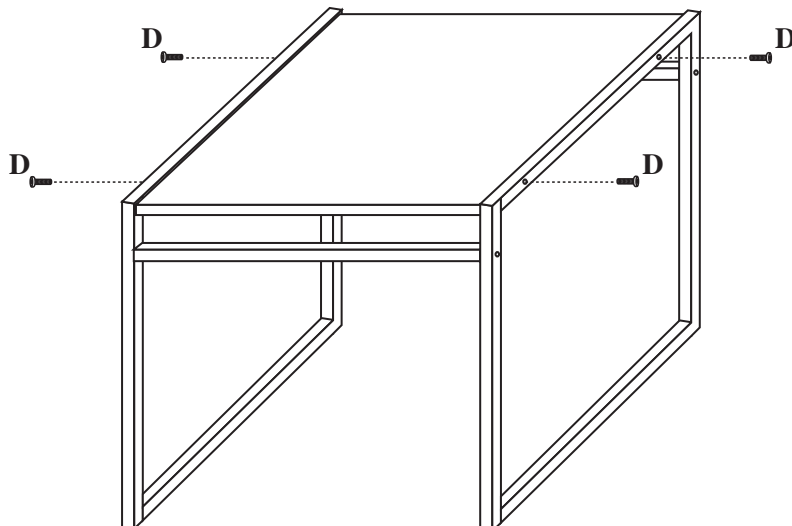
STEP 1

ATTACH FRAME (B) TO CROSSBAR (C) USE BOLTS (D) BY ALLEN WRENCH.



STEP 2

ATTACH TOP PANEL (A) TO FRAME (B) USE BOLTS (D) BY ALLEN WRENCH.



STEP 3

FASTEN ALL BOLTS BY ALL WRENCH.

This unit is intended for use only with the products and maximum weights indicated. Use with other products or products heavier than the maximum weights indicated may result in instability causing possible injury. Furniture can tip over or break if improperly moved. Have a friend help to lift and carry the unit to its new location.

