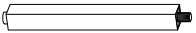










# ASSEMBLY INSTRUCTION

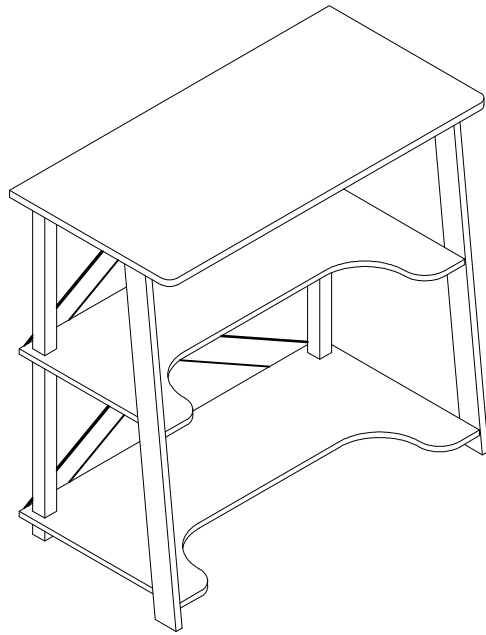
# ITEM NO : 11224941 - "A" FRAME DESK

BEFORE YOU BEGIN , PLEASE FOLLOW ASSEMBLY INSTRUCTION CAREFULLY , FOLLOW STEP BY STEP .

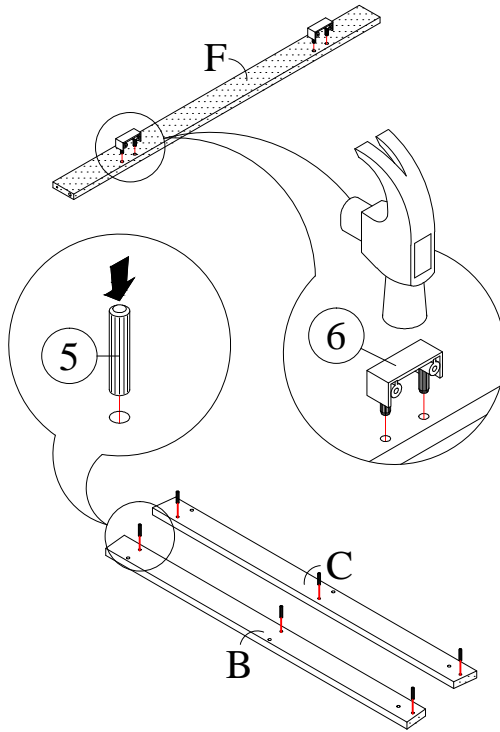
Read instruction carefully . See Furniture Parts list and Hardware List for guidance . Be sure you have all parts before you start assembling . Place and assemble furniture on a clean flat soft surface , such as carpet or rug to prevent being scratched .

NO	HARDWARE LIST	QTY
1	LONG SQUARE TUBE 	4 PCS
2	PE SQUARE LEG 	2 PCS
3	PE INSERT CAP 	2 PCS
4	M4 x 45MM C/B SCREW (BLACK) 	6 PCS
5	M5 x 25MM WOODEN DOWEL 	6 PCS
6	45MM BRACKET 	2 PCS
7	#8 x 1" CSK SCREW 	4 PCS
8	PE SCREW CAP COVER (BLACK) 	6 PCS
9	#6 x 3/4" PH TAPPING SCREW 	6 PCS

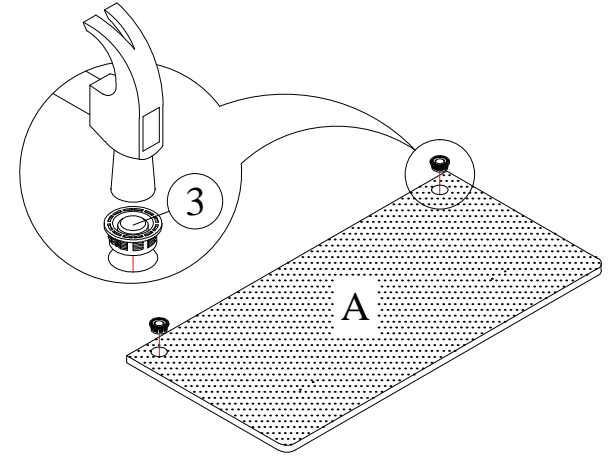
NO	PARTS LIST	QTY
A	TOP PANEL	1 PC
B	LEFT SIDE PANEL	1 PC
C	RIGHT SIDE PANEL	1 PC
D	CENTER PANEL	1 PC
E	BOTTOM PANEL	1 PC
F	APRON PANEL	1 PC
G	BACK PANEL	4 PCS



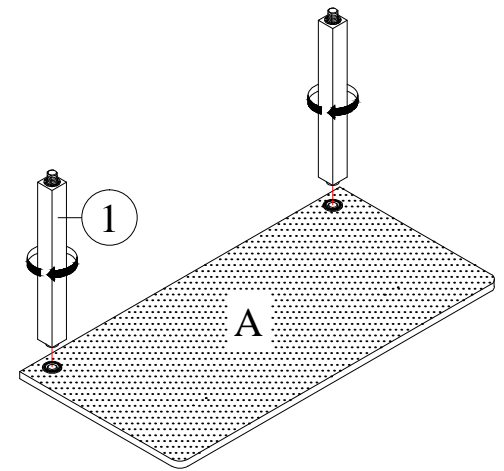
## STEP 1



## STEP 2



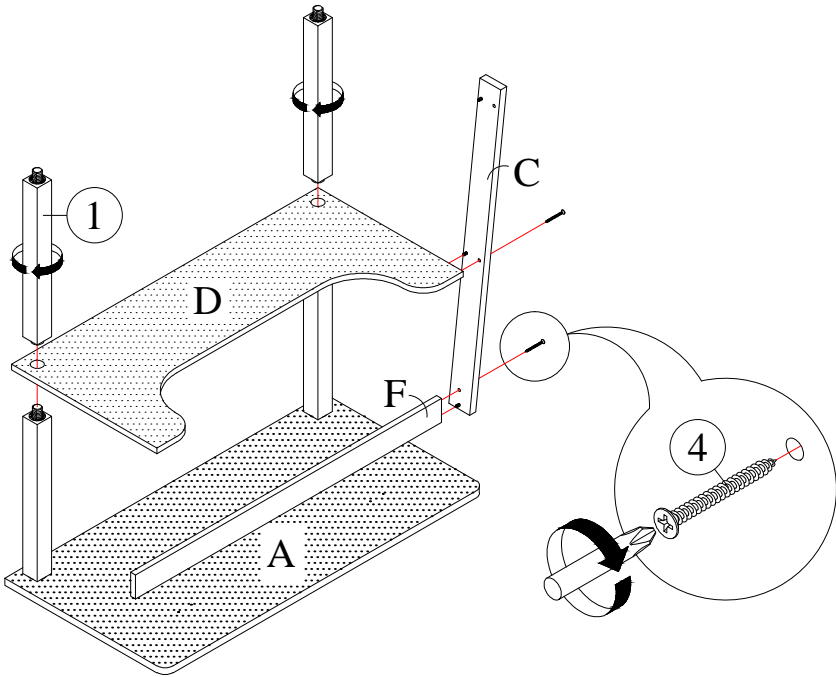
## STEP 3



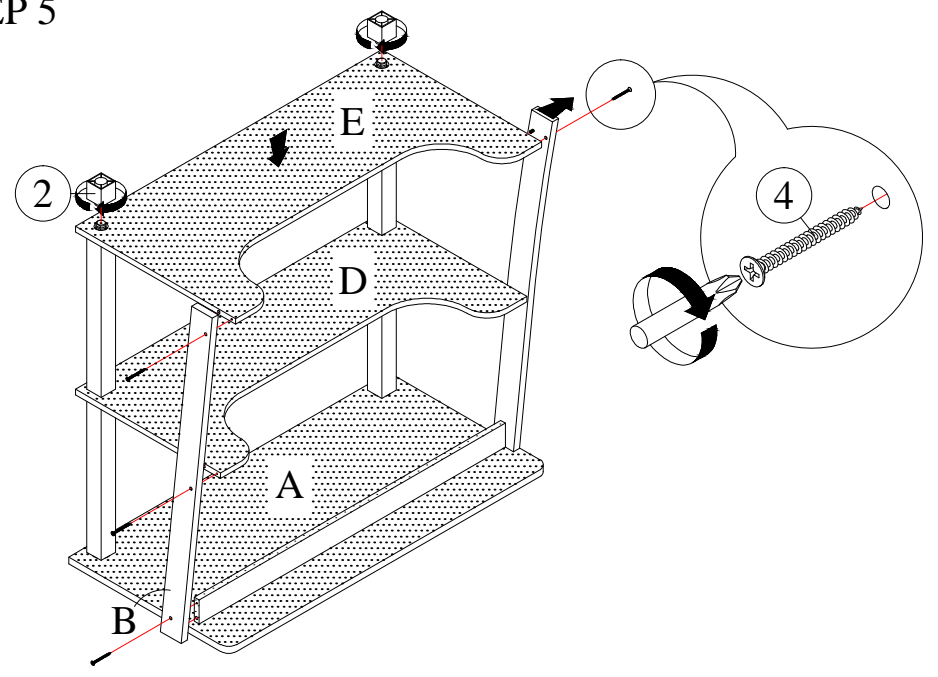
# ASSEMBLY INSTRUCTION

# ITEM NO : 11224941 - "A" FRAME DESK

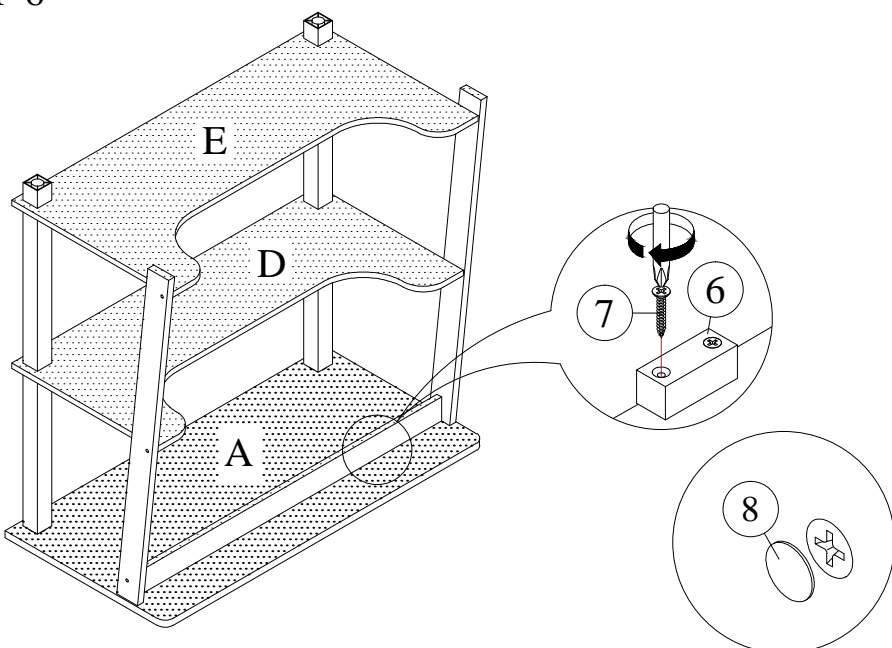
## STEP 4



## STEP 5



## STEP 6



## STEP 7

