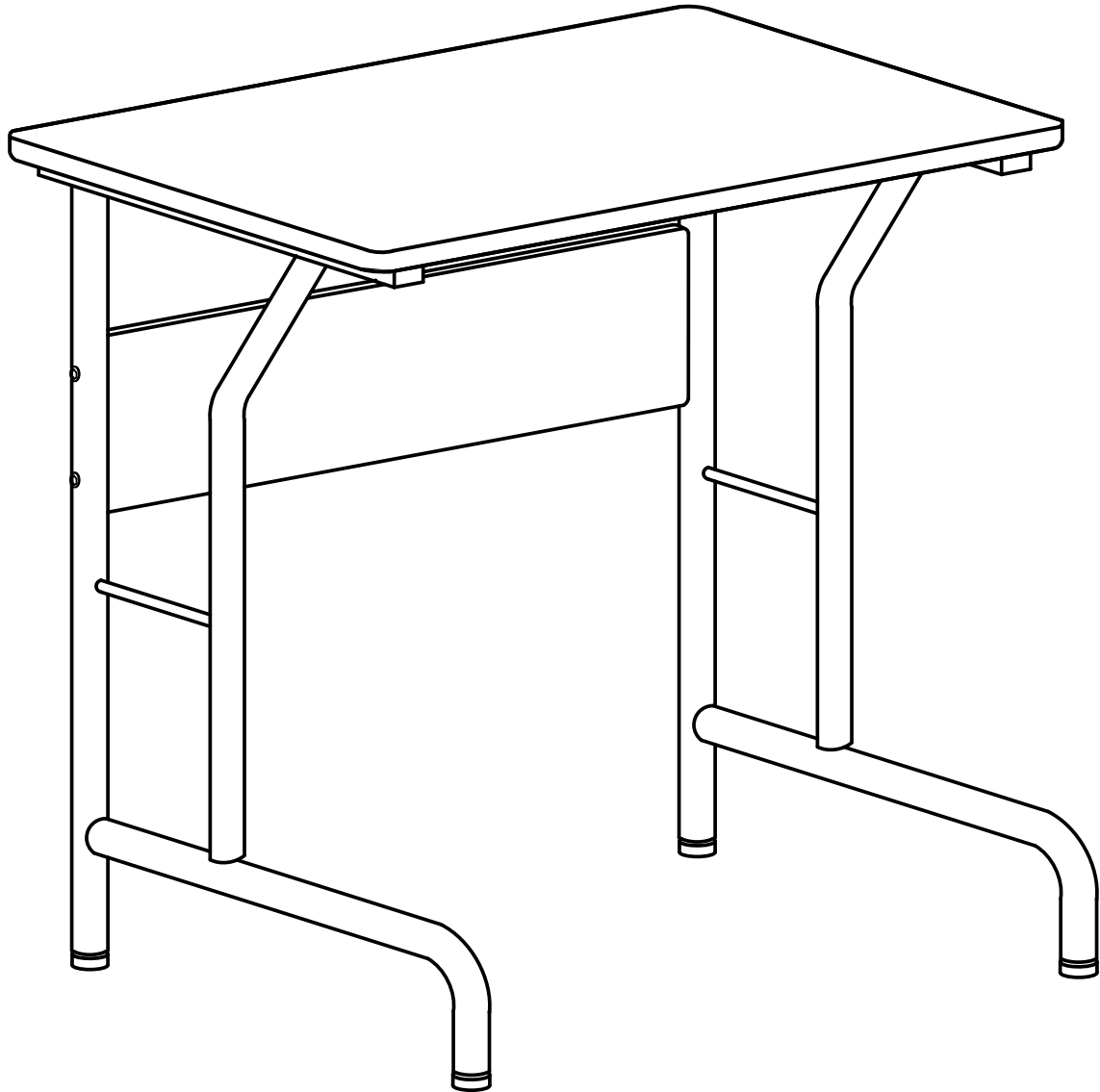




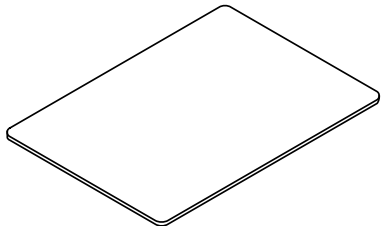
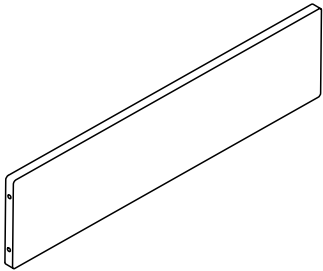
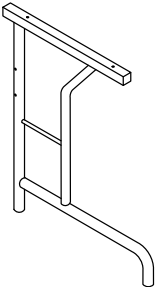
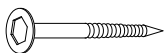

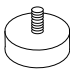

fourstargroup



MODEL: 11223182F

COMPUTER DESK

PARTS LIST AND HARDWARE

1		TOP PANEL	1PC
2		BACK PANEL	1PC
3		LEGS	2PCS
4		WOOD SCREW	4PCS
5		BOLT	4PCS
6		FEET	4PCS
7		ALLEN WRENCH	1PC

CAUTION:

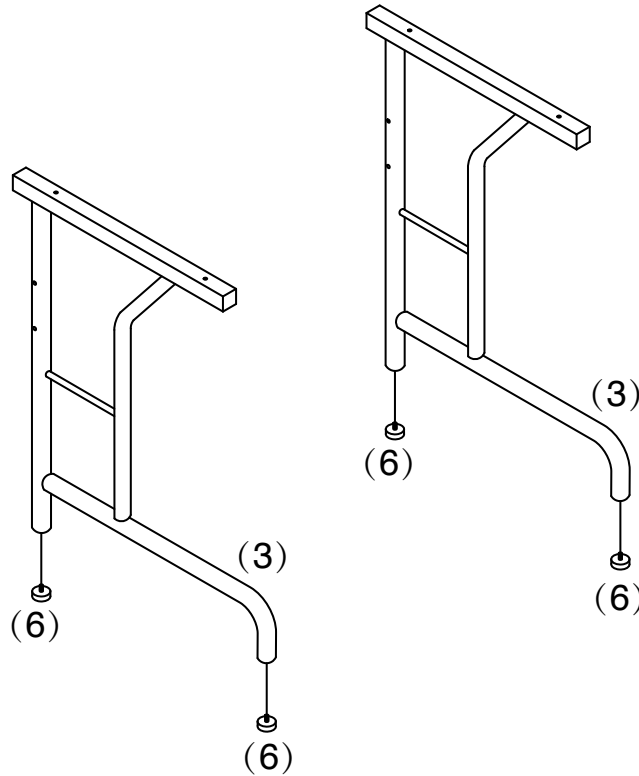
1. READ THIS INSTRUCTION MANUAL BEFORE YOU ASSEMBLE.

2. ASSEMBLE ON SOFT SURFACE TO PREVENT DAMAGE TO FINISH OF THIS PRODUCT.

ASSEMBLY INSTRUCTIONS

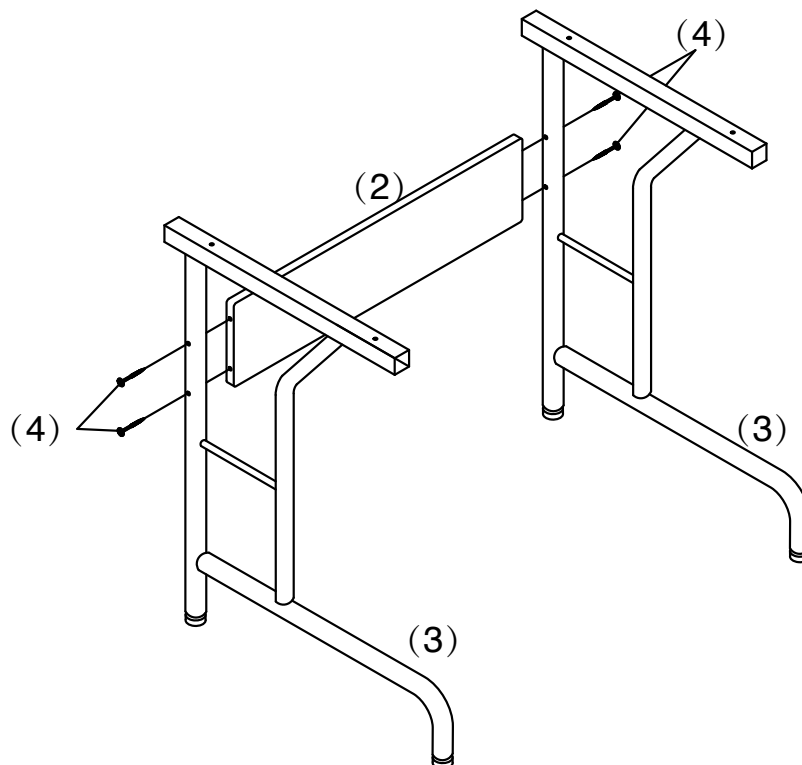
STEP 1

SCREW FEET (6) TO EACH LEG (3) AS SHOW.



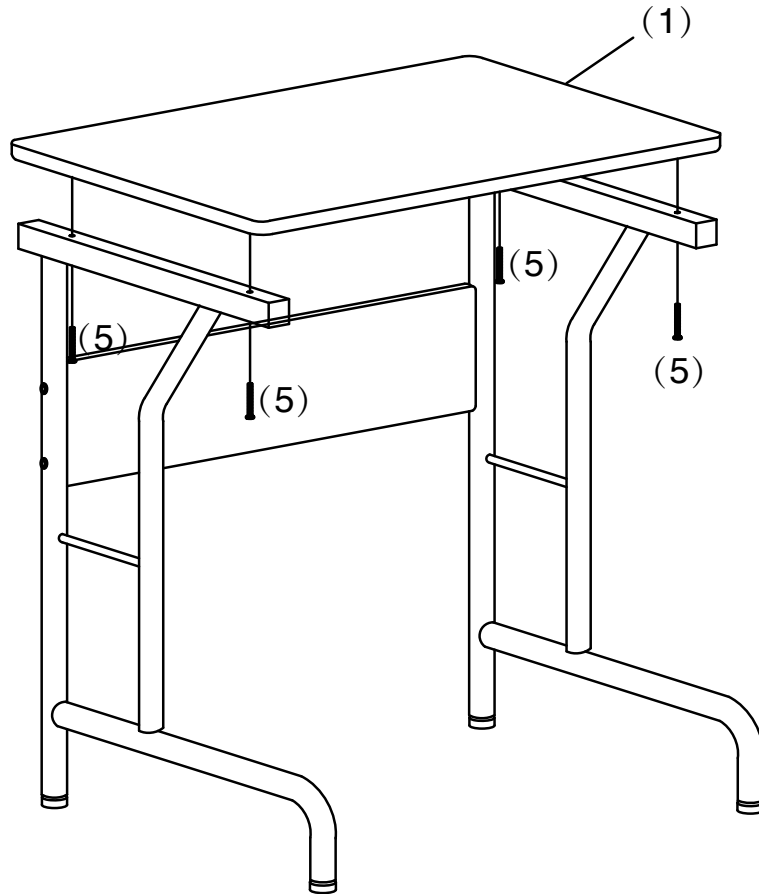
STEP 2

ATTACH BACK PANEL (2) TO LEGS (3) USING THE WOOD SCREWS (4) WITH ALLEN WRENCH (7) AS SHOWN.



STEP 3

ATTACH TOP PANEL (1) TO STEP 2 FINISHED PARTS USING BOLTS (5) WITH ALLEN WRENCH (7) AS SHOWN.



Do you have any questions? Missing small parts or hardware?
If you need assistance with the assembly of your COMPUTER
DESK please e-mail our Customer Service Department at:
support@fourstari.com
or call us at **(508) 435-4830**
or (800) 639-3803

Please include the following information in your email:

- Where item was purchased
- Item, model, style or SKU number listed on instructions or box
- Part number, description of the part and quantity needed

This information will help us get the proper part to you faster