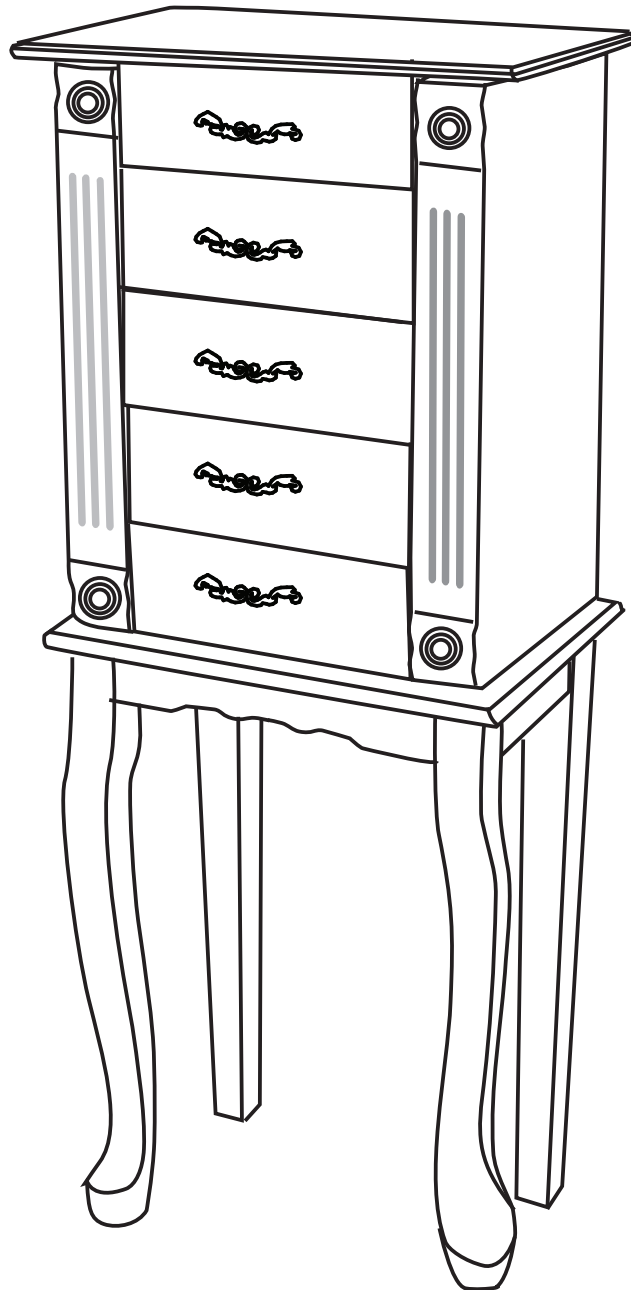





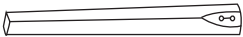

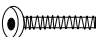
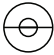


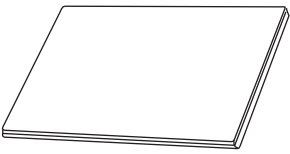

fourstargroup



MODEL: 11222497

JEWELRY ARMOIRE

PARTS LIST AND HARDWARE

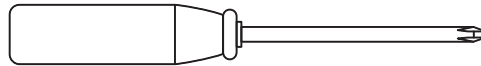
NO	HARDWARE LIST	QTY	
A		ARMOIRE	1PC
B		BACK LEG	2PCS
C		FRONT LEG	2PCS
D		BOLT	8PCS
E		WASHER	8PCS
F		SPRING WASHER	8PCS
G		ALLEN WRENCH	1PC
H		TOP PANEL	1PC
I		WOOD SCREW	4PCS

ASSEMBLY INSTRUCTIONS

CAUTION:

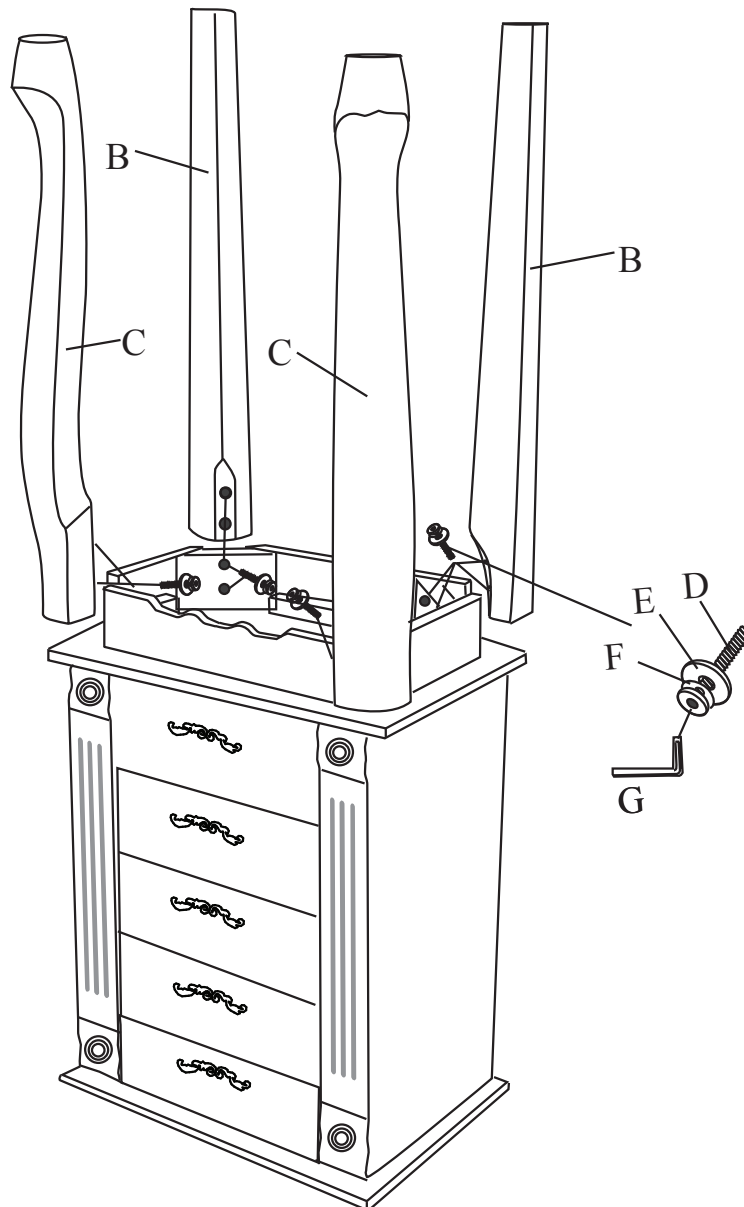
1. READ THIS INSTRUCTION MANUAL BEFORE YOU ASSEMBLE.
2. ASSEMBLE ON SOFT SURFACE TO PREVENT DAMAGE TO FINISH OF PRODUCT.

ASSEMBLY TOOL REQUESTED
PHILIPS SCREWDRIVER



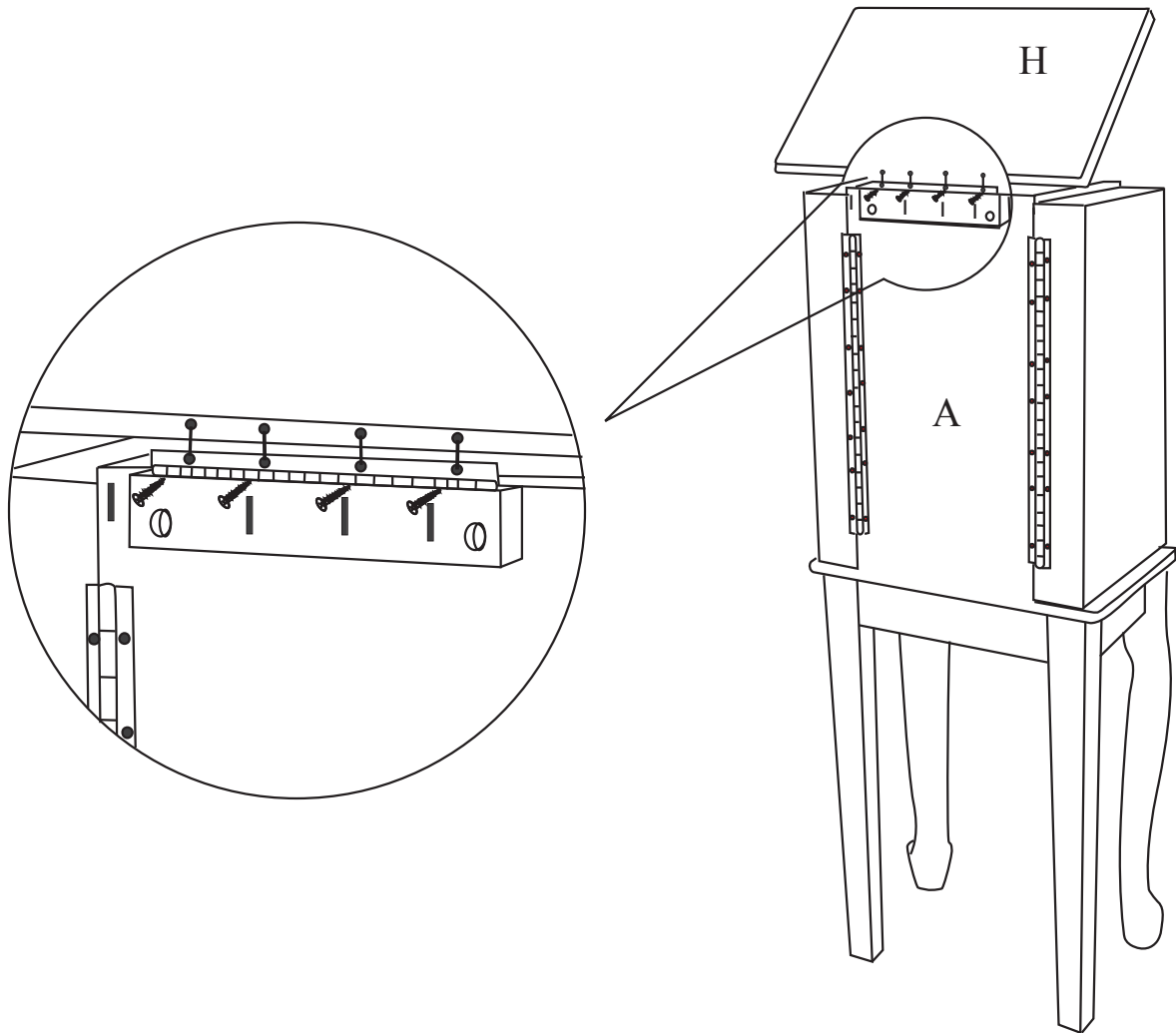
STEP 1

ATTACH BACK LEGS (B) AND FRONT LEGS (C) USING BOLTS (D),
SPRING WASHERS (F) AND WASHERS (E) WITH PROVIDED
ALLEN WRENCH (G) AS SHOWN.



STEP 2

ATTACH TOP PANEL (H) TO ARMOIRE (A) USING WOOD SCREWS (I) AS SHOWN WITH A PHILIPS HEAD SCREWDRIVER.



Do you have any questions? Missing small parts or hardware?
If you need assistance with the assembly of your JEWELRY
ARMOIRE please e-mail our Customer Service
Department at: support@fourstari.com
or call us at (800) 639-3803 or (508) 435-4830
if calling locally from Massachusetts area

Please include the following information in your email:

- Where item was purchased
- Item, model, style or SKU number listed on instructions or box
- Part number, description of the part and quantity needed

This information will help us get the proper part to you faster