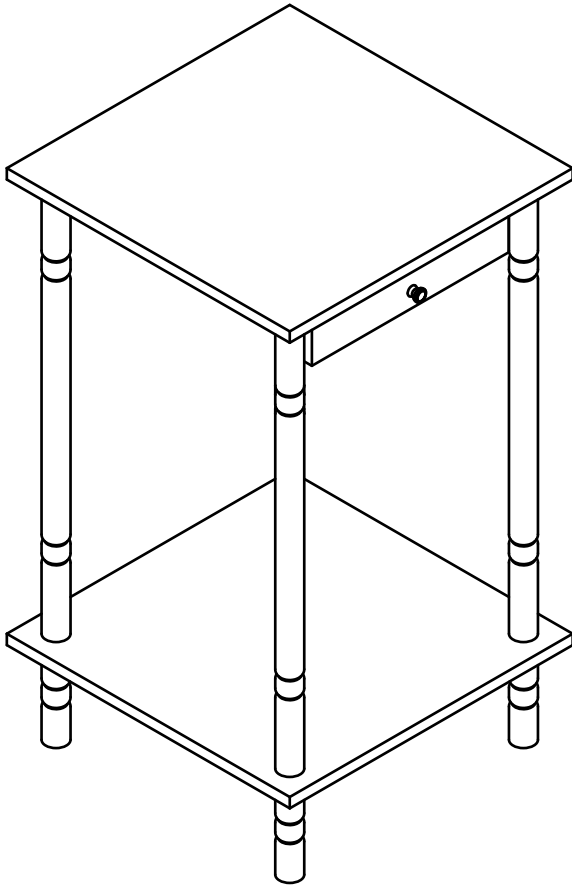




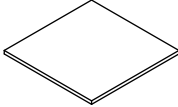
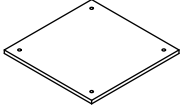
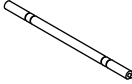

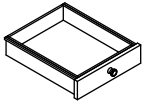
fourstargroup



MODEL: 11222303DT

END TABLE WITH DRAWER

PARTS AND HARDWARE

NO	HARDWARE LIST	QTY
A	TOP PANEL 	1 PC
B	BOTTOM PANEL 	1 PC
C	SPINDLE 	4 PCS
D	LEG 	4 PCS
E	DRAWER 	1 PC

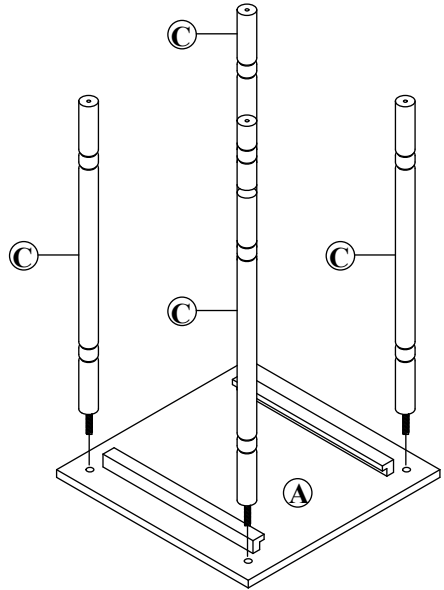
CAUTION:

1. READ THIS INSTRUCTION MANUAL BEFORE YOU ASSEMBLE.
2. ASSEMBLE ON SOFT SURFACE TO PREVENT DAMAGE TO FINISH OF TABLE.

ASSEMBLY INSTRUCTIONS

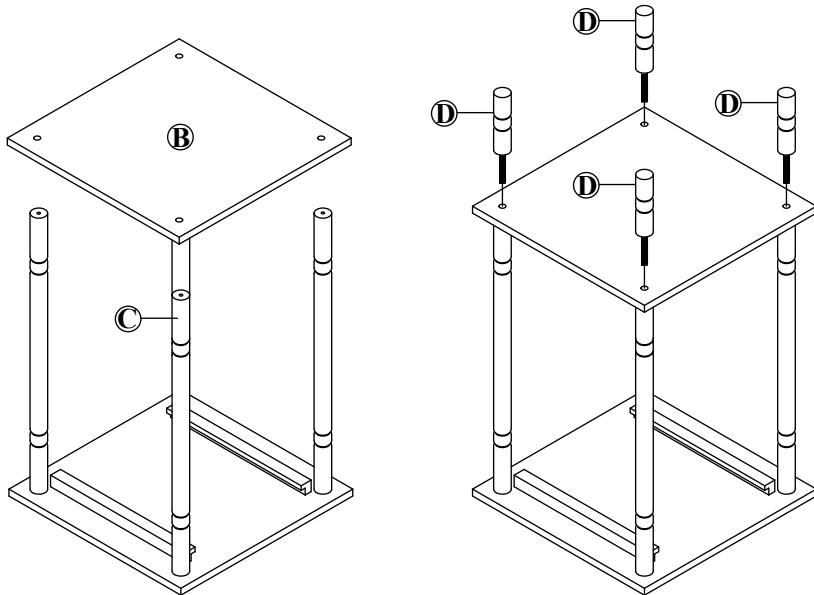
STEP 1

ATTACH SPINDLES (C) TO TOP PANEL (A) AS SHOWN.



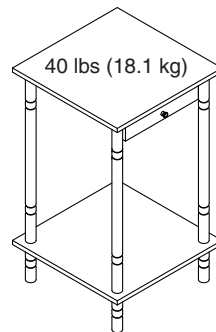
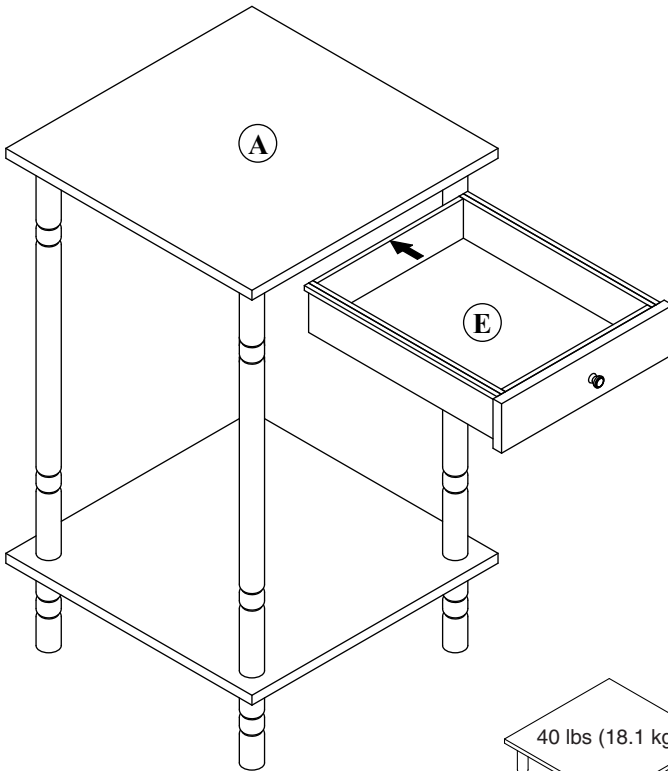
STEP 2

ATTACH BOTTOM PANEL (B) TO SPINDLES (C) USING LEGS (D) AS SHOWN.



STEP 3

SLIDE DRAWER (E) INTO TOP PANEL (A) AS SHOWN.



**CAUTION: MAXIMUM LOADING
CAPACITY OF THIS TABLE IS 40 LBS.**

**THIS IS A TABLE. DO NOT SIT, STAND,
LEAN, WALK OR JUMP ON TABLE!
FAILURE TO COMPLY WITH THIS
CAUTION COULD RESULT IN PERSONAL
INJURY AND / OR PROPERTY DAMAGE!**

Do you have any questions? Missing small parts or hardware?

If you need assistance with the assembly of your END TABLE

WITH DRAWER please e-mail our Customer Service

Department at: support@fourstari.com

or call us at (508) 473-7688

or (800) 639-3803

Please include the following information in your email:

- Where item was purchased
- Item, model, style or SKU number listed on instructions or box
- Part number, description of the part and quantity needed

This information will help us get the proper part to you faster