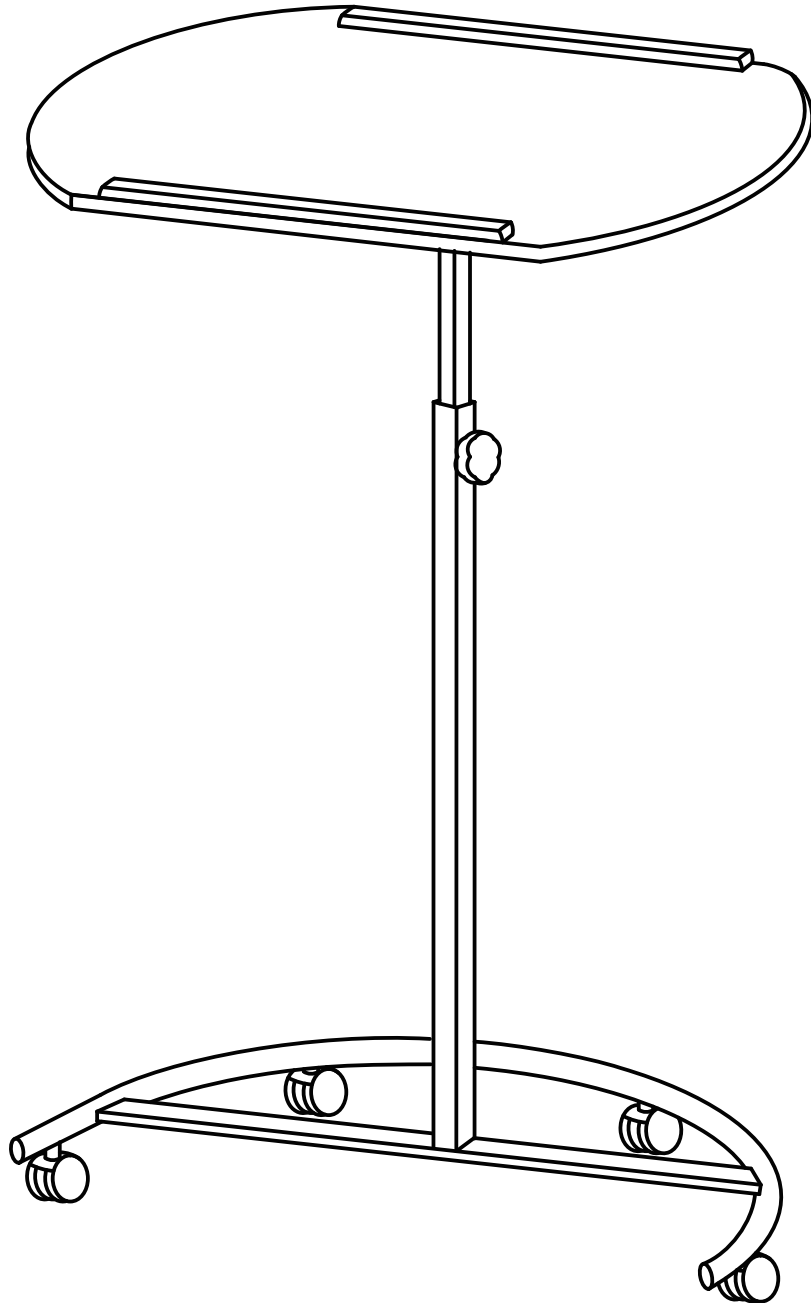




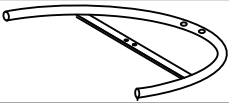
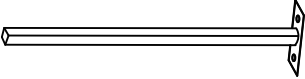




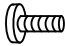
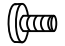

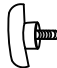
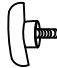



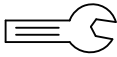


fourstargroup



MODEL: 1122236F

LAPTOP PODIUM

PARTS AND HARDWARE

NO	HARDWARE LIST	QTY
A	SUPPORT BASE 	1 PC
B	LOWER SUPPORT BAR 	1 PC
C	UPPER SUPPORT BAR 	1 PC
D	TILT PLATE 	1 PC
E	LINK 	2 PCS
F	TOP PANEL 	1 PC
G	BOLT 25MM 	2 PCS
H	BOLT 10MM 	6 PCS
I	NUT 	2 PCS
J	HEAD BOLT (6MM) 	1 PC
K	HEAD BOLT (8MM) 	1 PC
L	WASHER 	1 PC
M	CASTOR 	2 PCS
N	LOCKING CASTOR 	2 PCS
O	SMALL WRENCH 	1 PC
P	LARGE WRENCH 	1 PC
Q	ALLEN WRENCH 	1 PC

ASSEMBLY INSTRUCTIONS

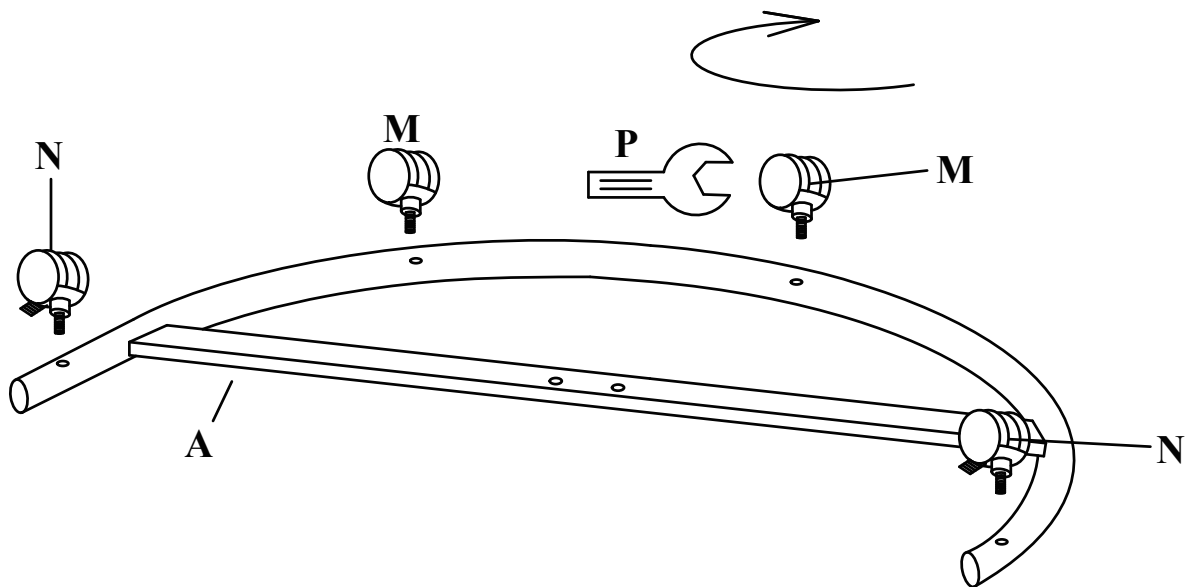
CAUTION:

1. READ THIS INSTRUCTION MANUAL BEFORE YOU ASSEMBLE.
2. ASSEMBLE ON SOFT SURFACE TO PREVENT DAMAGE TO FINISH OF TABLE.

STEP 1

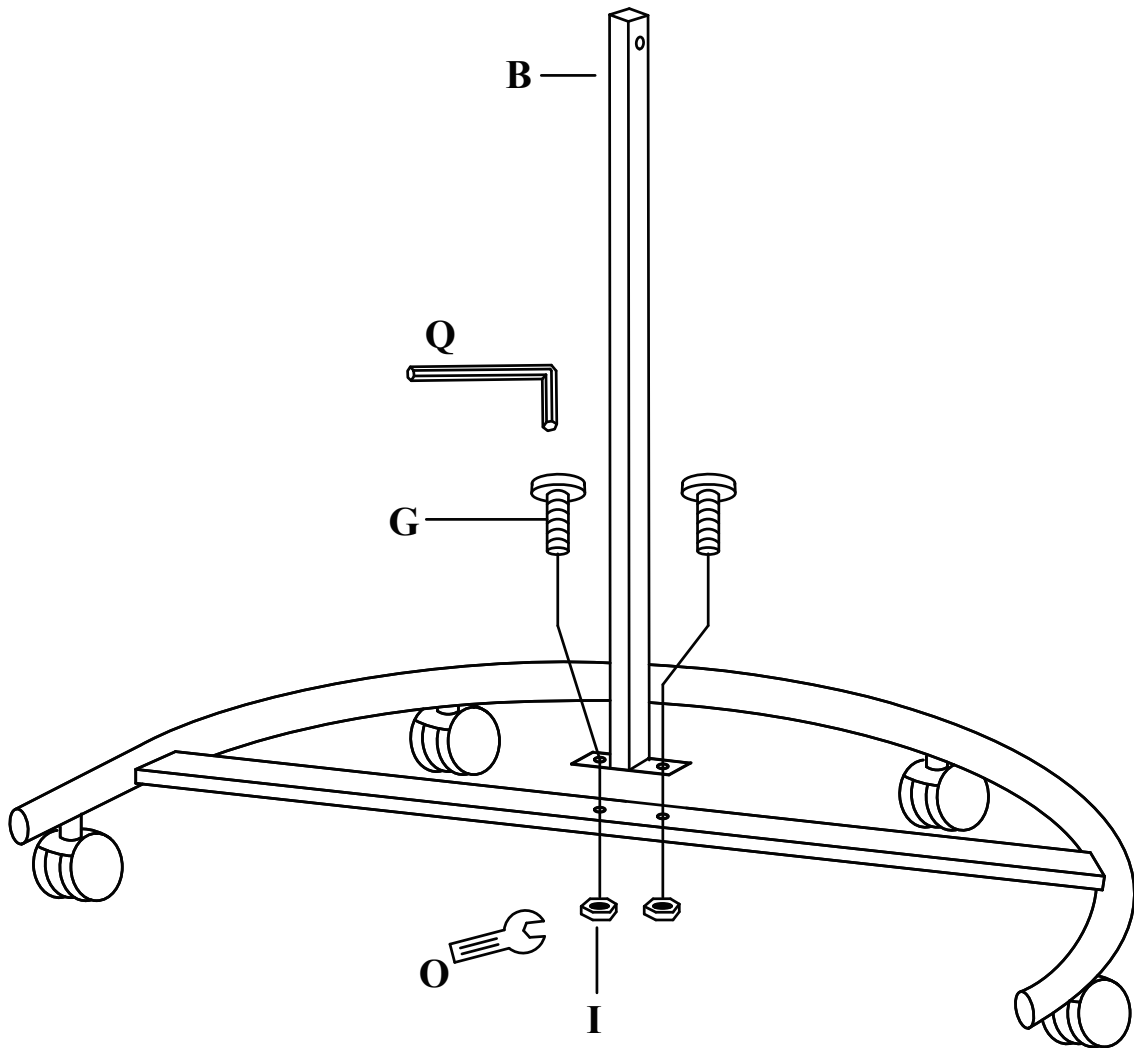
ATTACH CASTORS (M) AND LOCKING CASTORS (N) TO SUPPORT BASE (A) WITH LARGE WRENCH (P) AS SHOWN.

***DO NOT TIGHTEN THE BOLTS AT THIS TIME.**



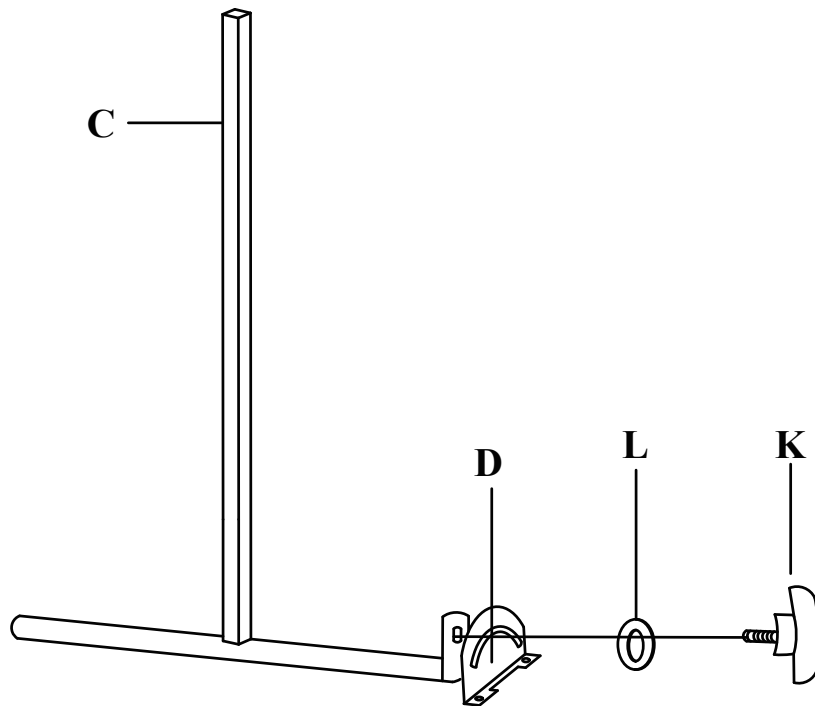
STEP 2

ATTACH LOWER SUPPORT BAR (B) TO SUPPORT BASE (A) USING BOLTS (G) AND NUTS (I) WITH PROVIDED ALLEN WRENCH (Q) AND SMALL WRENCH (O) AS SHOWN.



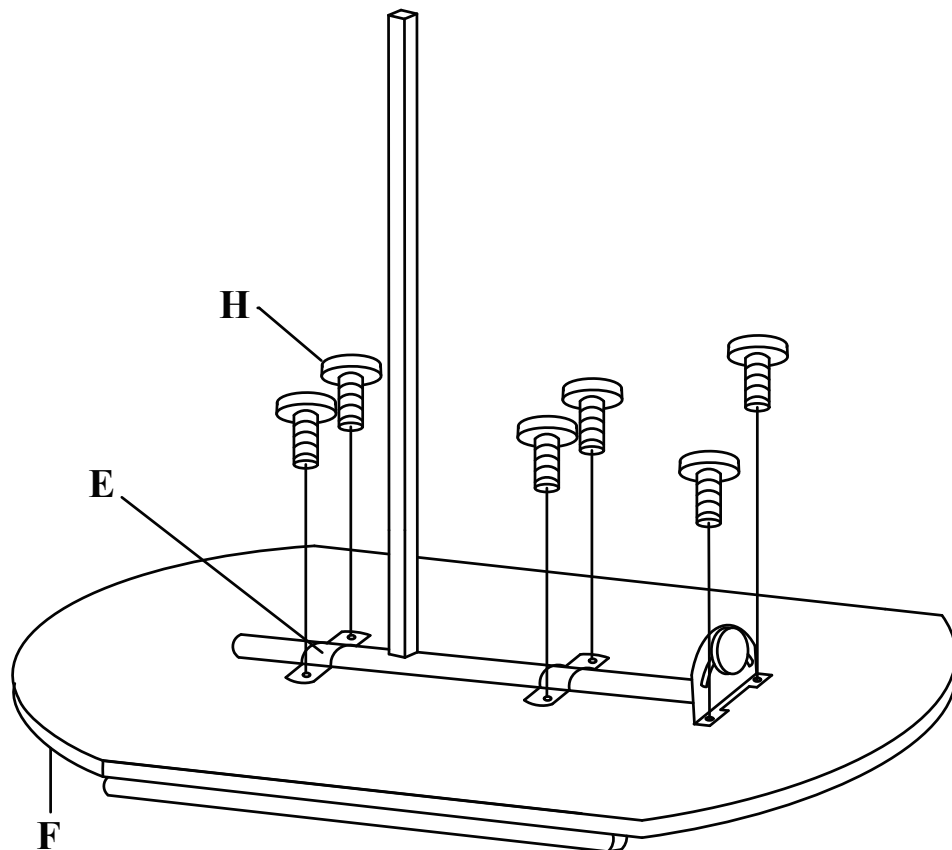
STEP 3

ATTACH TILT PLATE (D) TO UPPER SUPPORT BAR (C) USING WASHER (L) AND HEAD BOLT (K) AS SHOWN.



STEP 4

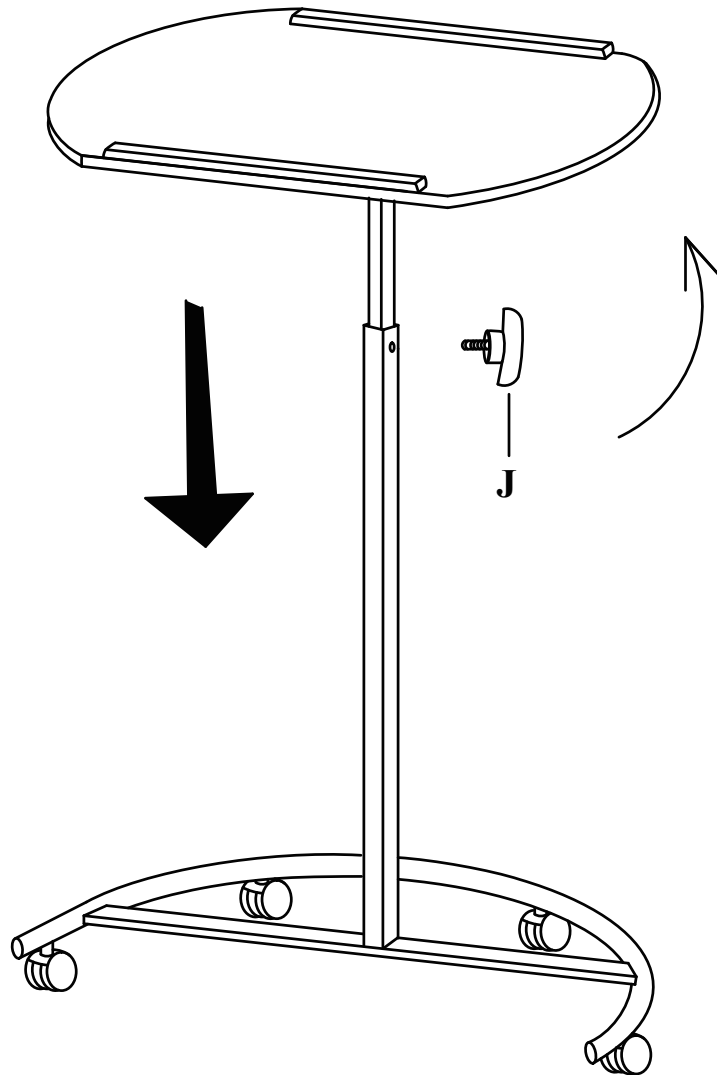
ATTACH UPPER SUPPORT BAR (C) TO TOP PANEL (F) USING LINKS (E) AND BOLTS (H) WITH PROVIDED ALLEN WRENCH (Q) AS SHOWN.



STEP 5

ATTACH STEP 4 COMPLETED ASSEMBLY TO STEP 2 COMPLETED ASSEMBLY USING HEAD BOLT (J) AS SHOWN.

***TIGHTEN ALL BOLTS AT THIS TIME.**



Do you have any questions? Missing small parts or hardware?

If you need assistance with the assembly of your LAPTOP
PODIUM please e-mail our Customer Service Department at:

support@fourstari.com

or call us at (508) 435-4830

or (800) 639-3803

Please include the following information in your email:

- Where item was purchased
- Item, model, style or SKU number listed on instructions or box
- Part number, description of the part and quantity needed

This information will help us get the proper part to you faster