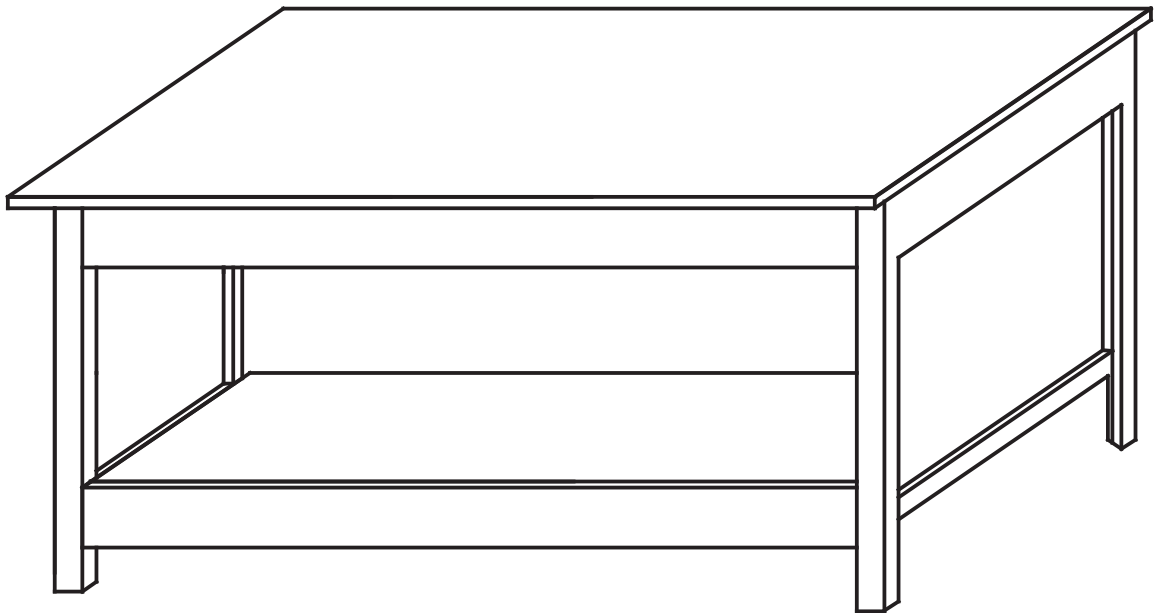




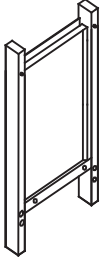
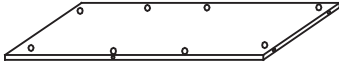

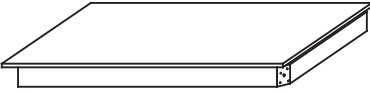






fourstargroup



MODEL: 11221721

**COFFEE TABLE**

# PARTS LIST AND HARDWARE

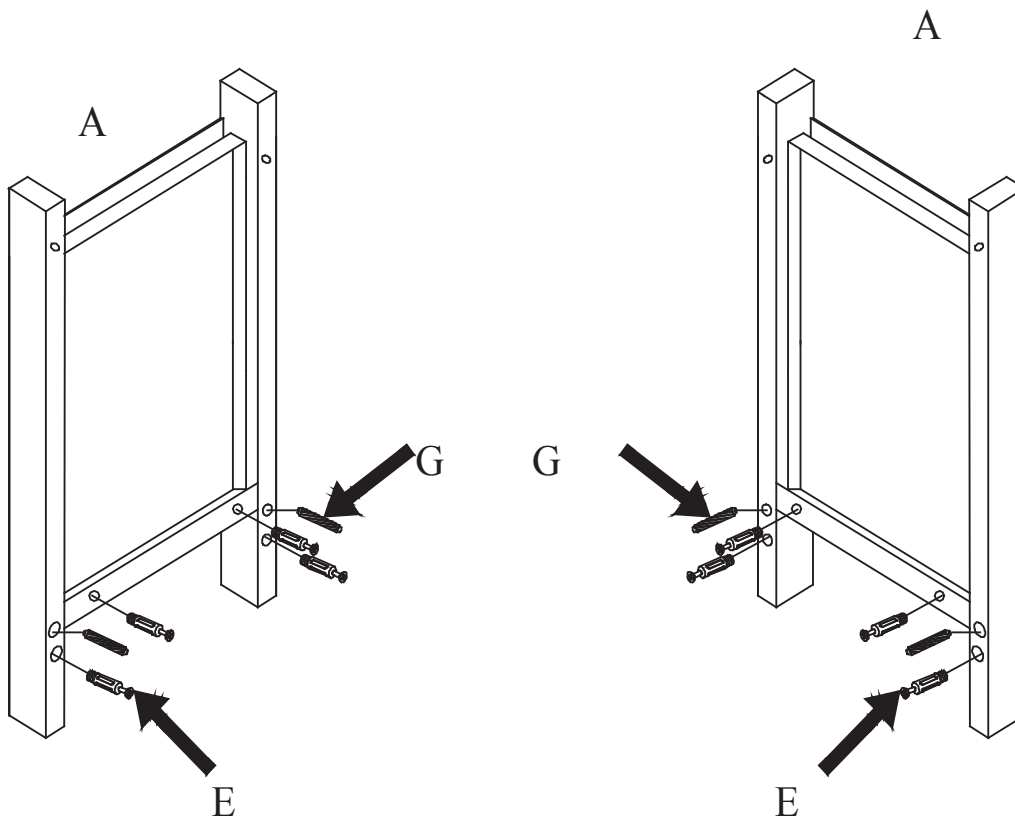
NO	HARDWARE LIST	QTY
A	<b>LEG PANEL</b> 	<b>2 PCS</b>
B	<b>BOTTOM PANEL</b> 	<b>1 PC</b>
C	<b>SIDE PANEL</b> 	<b>2 PCS</b>
D	<b>TOP PANEL</b> 	<b>1 PC</b>
E	<b>CAMLOCK PIN</b> 	<b>12 PCS</b>
F	<b>CAMLOCK</b> 	<b>12 PCS</b>
G	<b>WOOD DOWEL</b> 	<b>4 PCS</b>
H	<b>BOLT</b> 	<b>4 PCS</b>
I	<b>WASHER</b> 	<b>4 PCS</b>
J	<b>ALLEN WRENCH</b> 	<b>1 PC</b>

# ASSEMBLY INSTRUCTIONS

**BEFORE YOU BEGIN,  
PLEASE READ ASSEMBLY INSTRUCTIONS CAREFULLY.  
FOLLOW THEM STEP BY STEP.**

## STEP 1

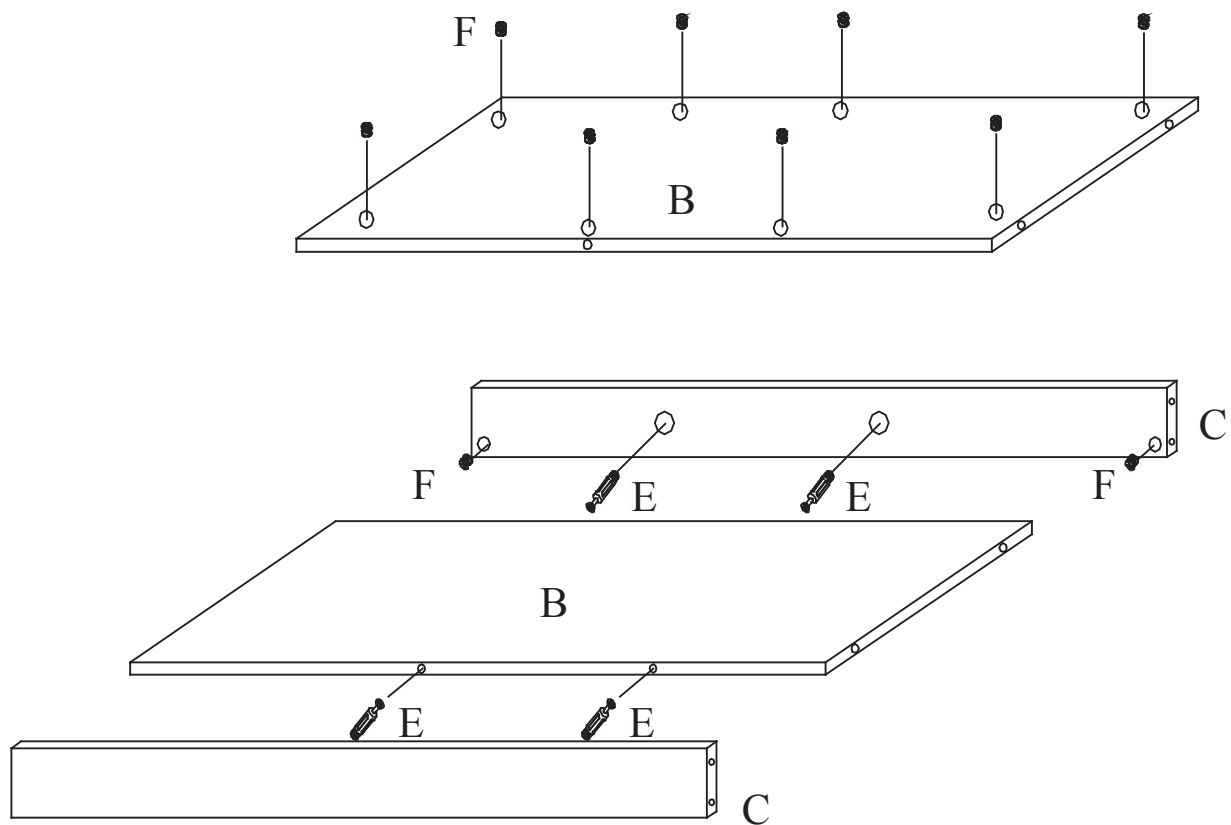
**ATTACH CAMLOCK PIN (E) AND WOOD DOWEL (G) TO LEG  
PANEL (A) AS SHOWN.**



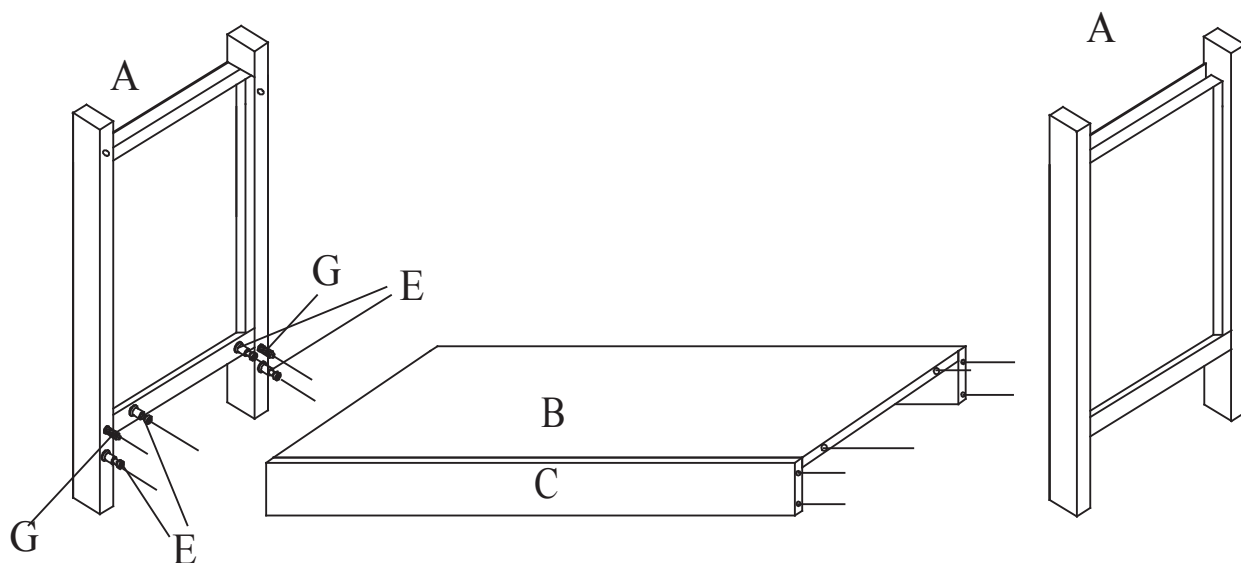
**STEP 2**

**2.1 ATTACH CAMLOCK (F) TO THE HOLES OF BOTTOM PANEL (B) AND SIDE PANEL (C) AS SHOWN.**

**2.2 ATTACH SIDE PANEL (C) TO BOTTOM PANEL (B) USING CAMLOCK PIN (E) AS SHOWN.**

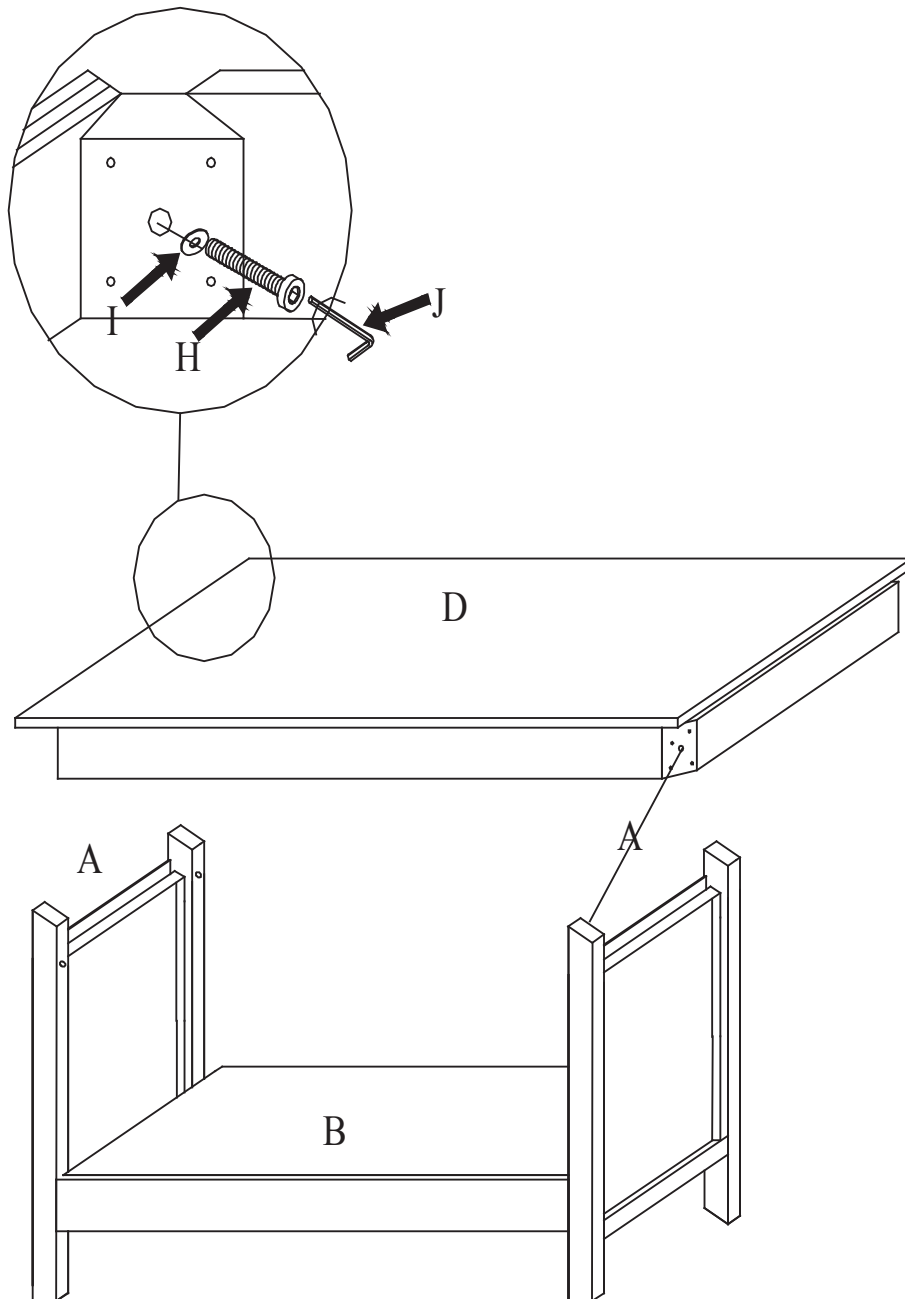


**STEP 3**  
**ATTACH LEG PANEL (A) TO BOTTOM PANEL (B) AND SIDE**  
**PANEL (C) USING CAMLOCK PIN (E) AND WOOD DOWEL (G)**  
**AS SHOWN.**



## STEP 4

**ATTACH TOP PANEL (D) TO LEG PANEL (A) USING BOLT (H), WASHER (I) AND ALLEN WRENCH (J) AS SHOWN.**



Do you have any questions? Missing small parts or hardware?

If you need assistance with the assembly of your COFFEE TABLE please e-mail our Customer Service Department at:

**support@fourstari.com**

**or call us at (508) 435-4830**

or (800) 639-3803

Please include the following information in your email:

- Where item was purchased
- Item, model, style or SKU number listed on instructions or box
- Part number, description of the part and quantity needed

This information will help us get the proper part to you faster