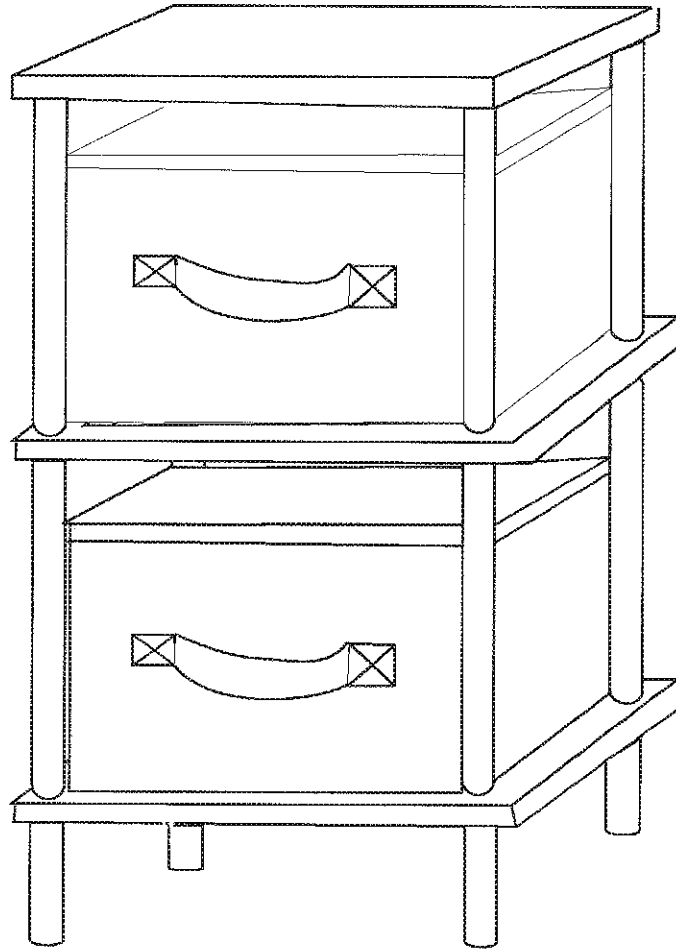





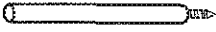
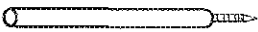

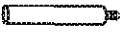

fourstargroup

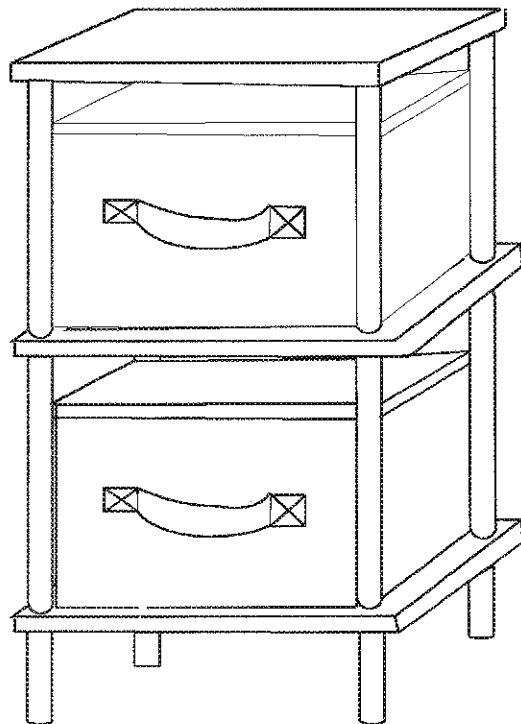


MODEL: 11221667

**2 BINS
STORAGE ORGANIZER**

PARTS

NO	HARDWARE & PART LIST	QTY
A	Top Panel 	1PC
B	Top Spindle (Short Screw) 	4PCS
C	Middle Spindle (Long Screw) 	4PCS
D	Shelf 	2PCS
E	Foot Spindle 	4PCS
F	Bin 	2PCS



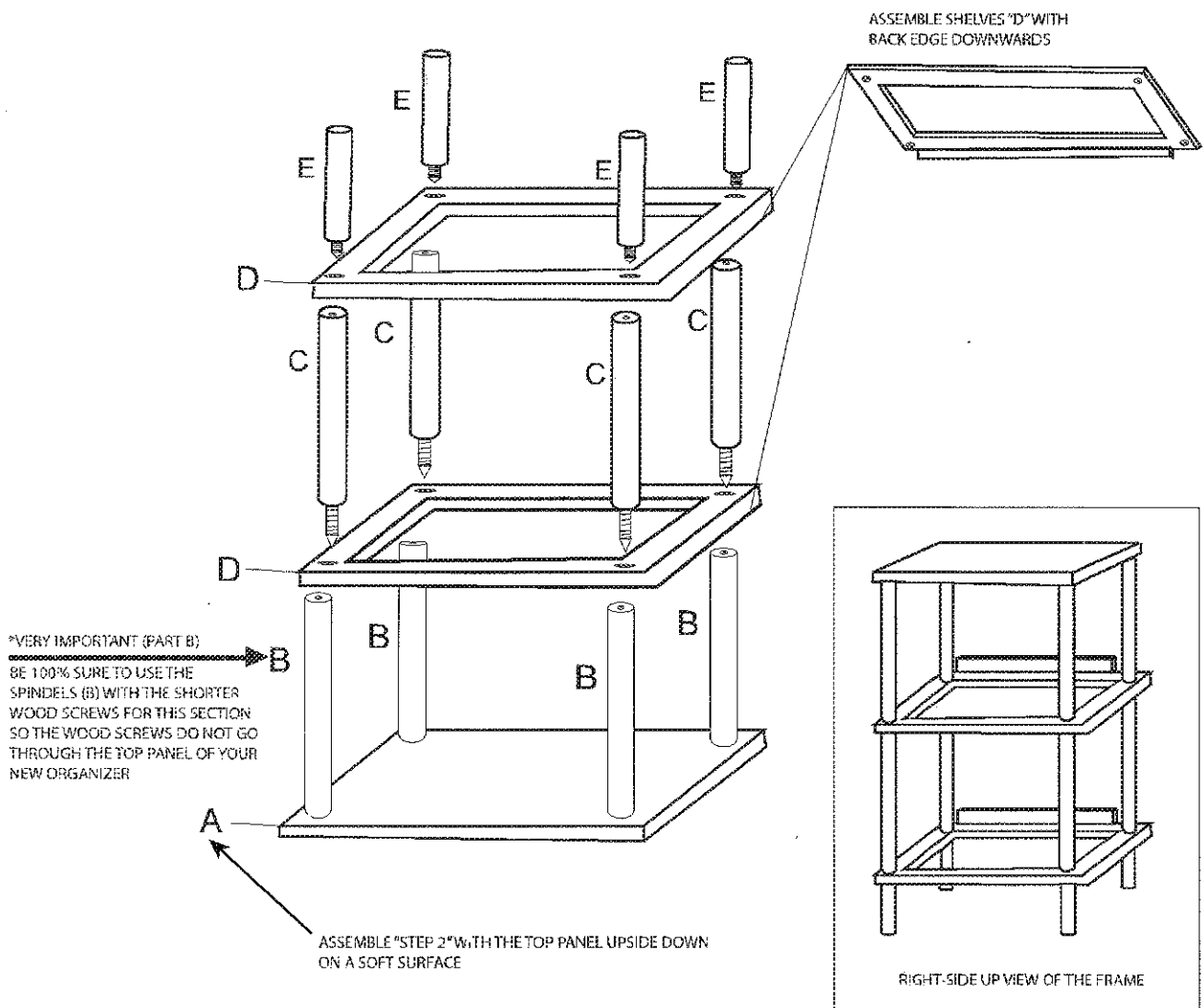
ASSEMBLY INSTRUCTIONS

STEP 1

1.1 Place Top Panel (A) on smooth surface, screw Top Spindles (B) on Top Panel (A) as shown.

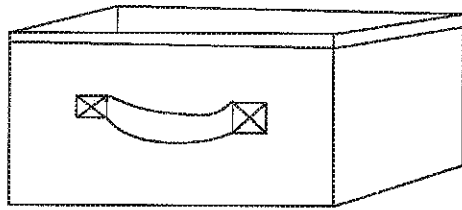
1.2 Attach Shelves (D) using Middle Spindles (C) as shown.

1.3 Screw Foot Spindles (E) on Shelf (D) as shown.

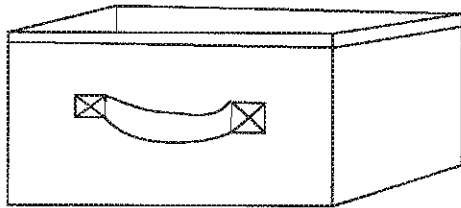


STEP 2

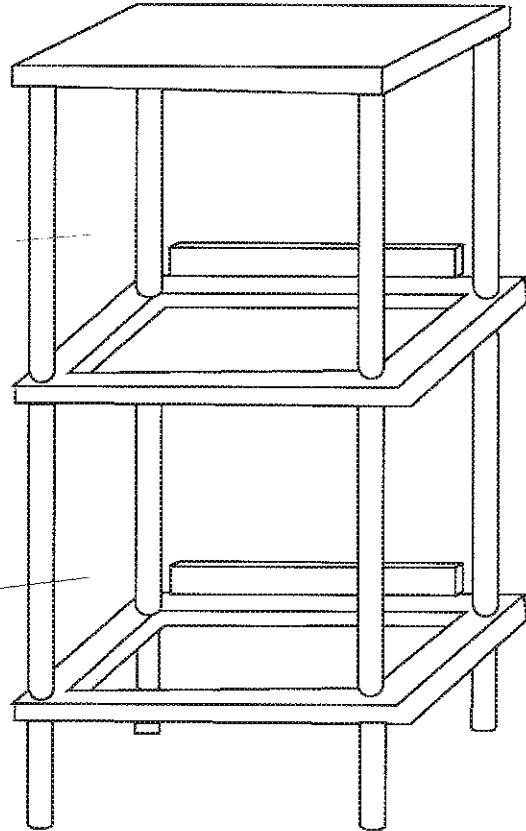
Put bins (F) on each Shelf.



F



F



Do you have any questions? Missing small parts or hardware?

If you need assistance with the assembly of your
2 BINS STORAGE ORGANIZER please e-mail our

Customer Service Department at:

support@fourstari.com

or call us (800) 639-3803

Please include the following information in your email:

- Where item was purchased
- Item, model, style or SKU number listed on instructions or box
- Part number, description of the part and quantity needed

This information will help us get the proper part to you faster