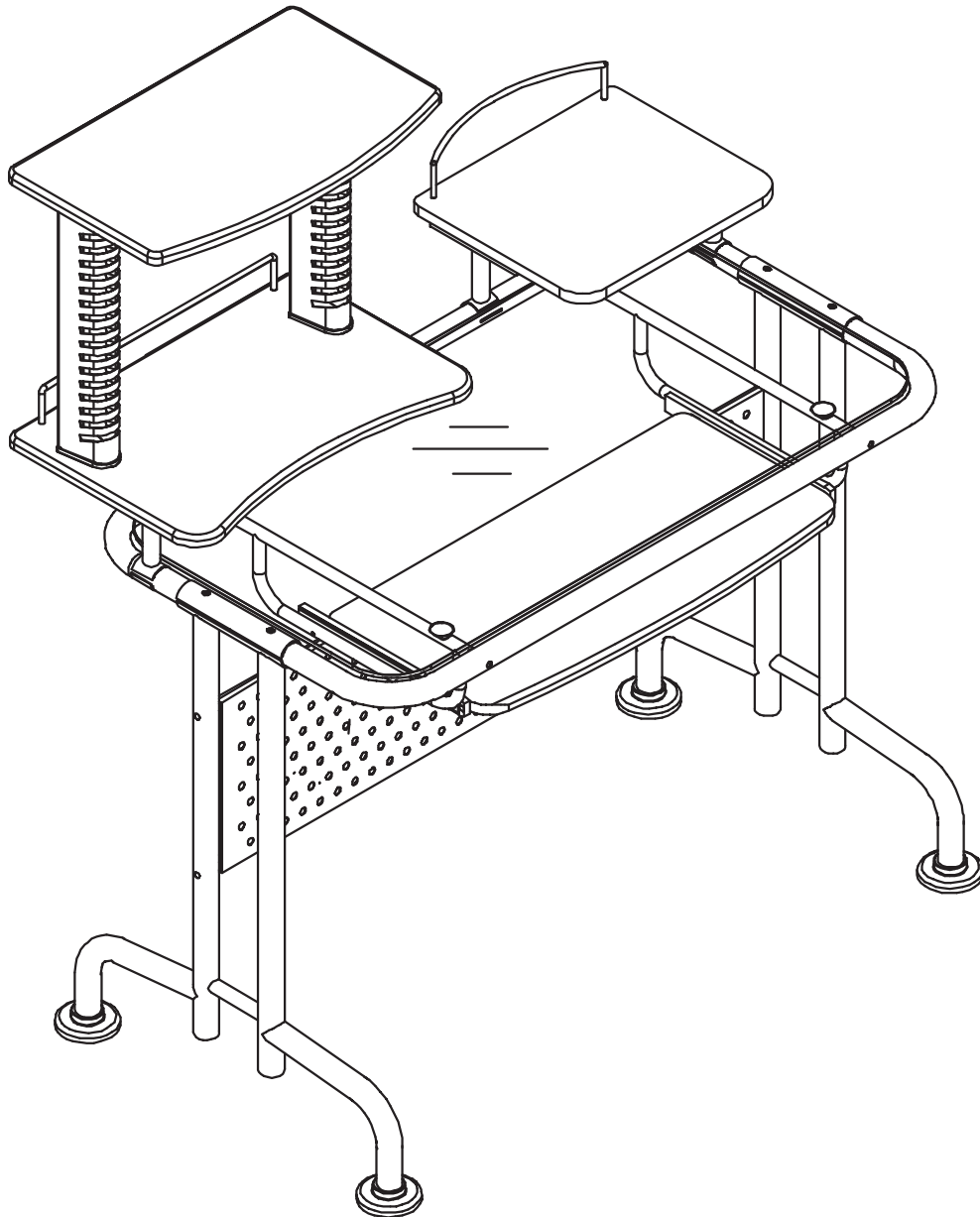




fourstargroup



**MODEL: 11221435B**

**STYLE: 675857**

# **COMPUTER TABLE**

**Distributed by: Fourstar Group, Inc.**

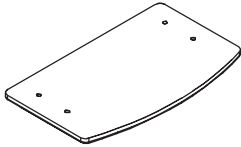
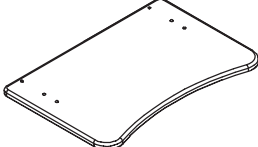
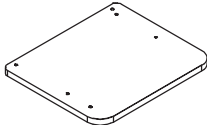
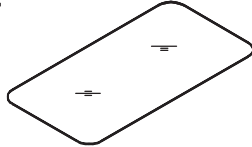
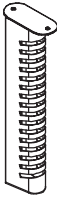
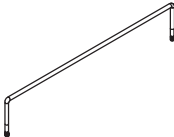
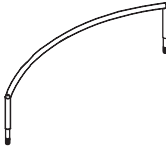
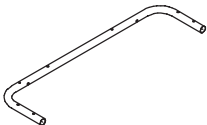
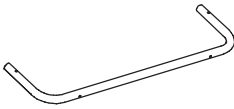
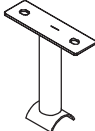
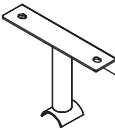
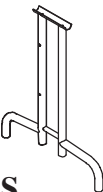
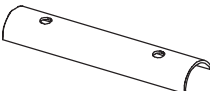
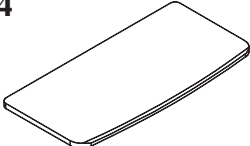
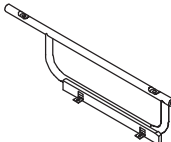
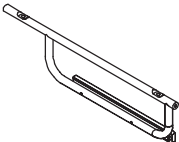
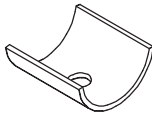
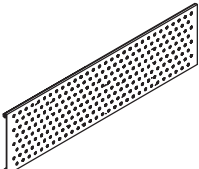
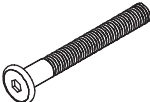
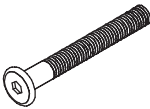

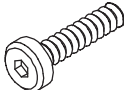
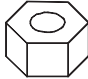
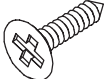

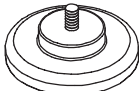
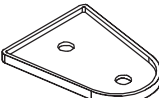

**Made in China**

Do you have any questions? Missing small parts or hardware? If you need assistance with the assembly of your **COMPUTER TABLE** please e-mail our Customer Service Department at: [support@fourstari.com](mailto:support@fourstari.com) or call us at (508) 435-4830 or (800) 639-3803. Both hotlines are available from 9 AM to 5 PM (EST)

# PARTS AND HARDWARE

**PRECAUTIONS:**

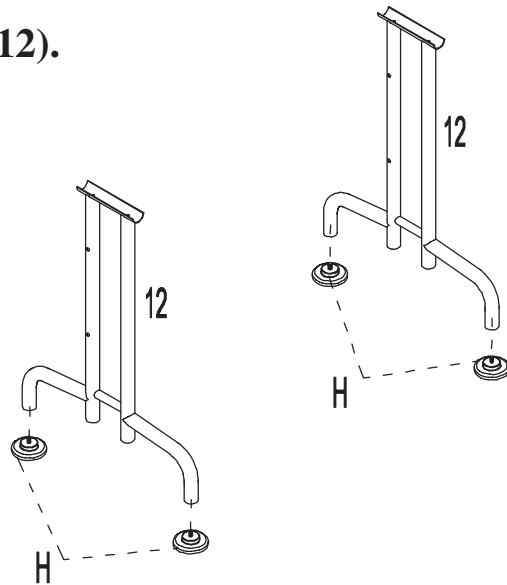
1. PLEASE READ THE INSTRUCTIONS BEFORE ASSEMBLY.
  2. THIS INSTRUCTION BOOKLET CONTAINS IMPORTANT SAFETY INFORMATION. PLEASE READ AND KEEP FOR FUTURE REFERENCE.
  3. PLEASE CHECK AND MAKE SURE THE PARTS IN THE TABLE BELOW ARE INCLUDED IN THE PACKAGING.
  4. A CROSS HEAD SCREWDRIVER AND GLOVES ARE NEEDED DURING THE ASSEMBLY.
  5. DON'T TIGHTEN THE SCREWS BEFORE ALL SCREWS ARE IN PLACE.
- WARNING:** DO NOT PLACE ANY WEIGHT OVER 150 LBS ON THE GLASS TABLETOP AND OVER 30 LBS ON ANY SHELF.

1  Printer Shelf - 1 PC	2  Bookshelf - 1 PC	3  Displayer Shelf - 1 PC	4  Glass Tabletop - 1 PC
5  CD Holder 2 PCS	6  Straight Steel Bar - 1 PC	7  Curve Steel Bar - 1 PC	8  Back Tube of Table 1 PC
9  Front Tube of Table 1 PC	10  Support A - 2 PCS	11  Support B - 3 PCS	12  Leg - 2 PCS
13  Table Frame Connector - 2 PCS	14  Keyboard Panel - 1 PC	15  Right Slider - 1 PC	16  Left Slider - 1 PC
17  Washer - 5 PCS	18  Back Panel - 1 PC	A  Black M6x65 - 8 PCS	B  White M6x45 - 9 PCS
C  M6x10 - 14 PCS	D  M6x25 - 4 PCS	E  Nut - 4 PCS	F  Screw - 4 PCS
G  Suction Cup - 4 PCS	H  Rubber Foot - 4 PCS	I  CD Holder Pad 2 PCS	J  Allen Wrench - 1 PC

# ASSEMBLY INSTRUCTIONS

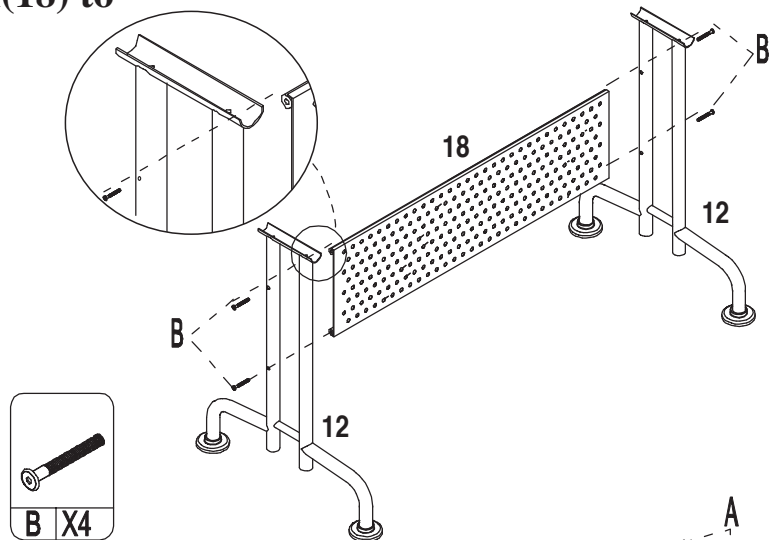
## STEP 1

Screw the Rubber Foot (H) into Leg (12).



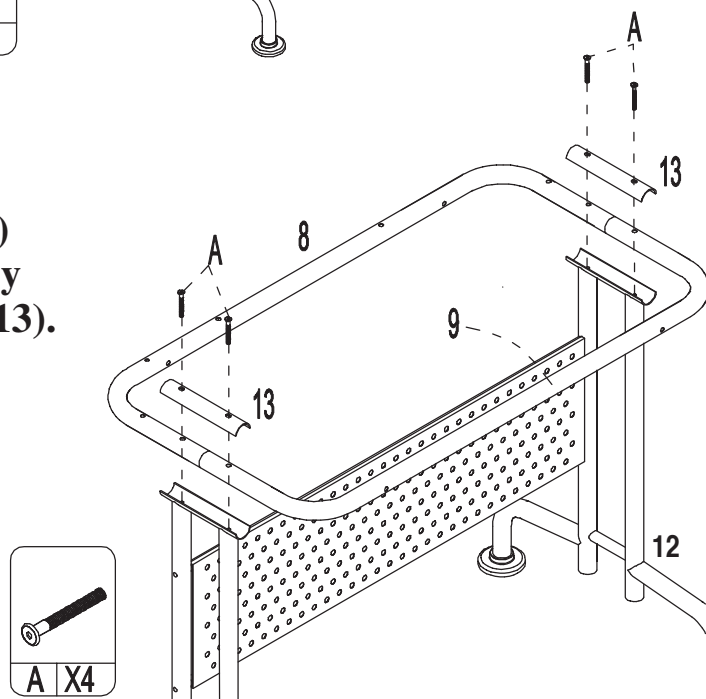
## STEP 2

Connect the Back Panel (18) to the two Legs (12).



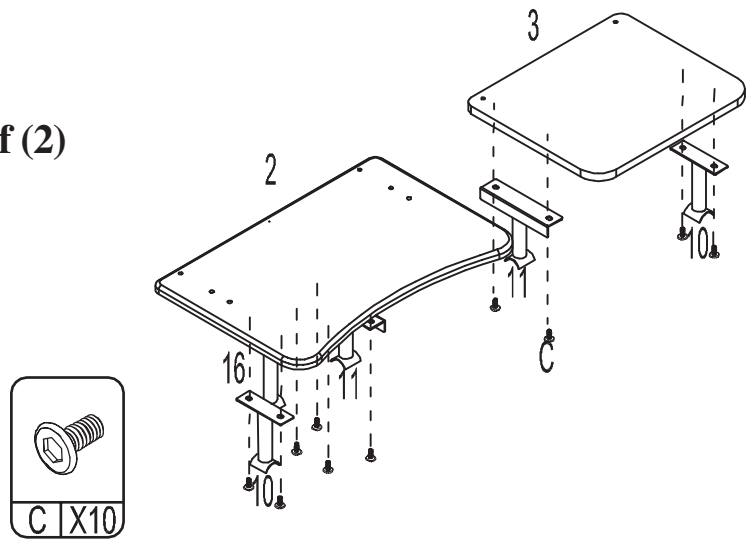
## STEP 3

Attach Back Tube of Table (8) and Front Tube of Table (9) by the Table Frame Connector (13).



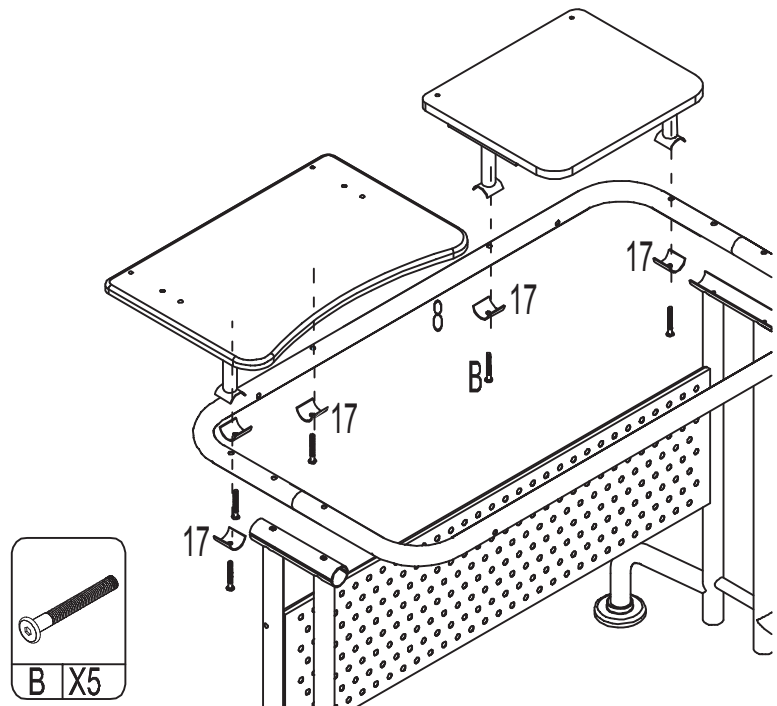
## STEP 4

Fasten the Support A (10) and Support B (11) to the Bookshelf (2) and Displayer Shelf (3).



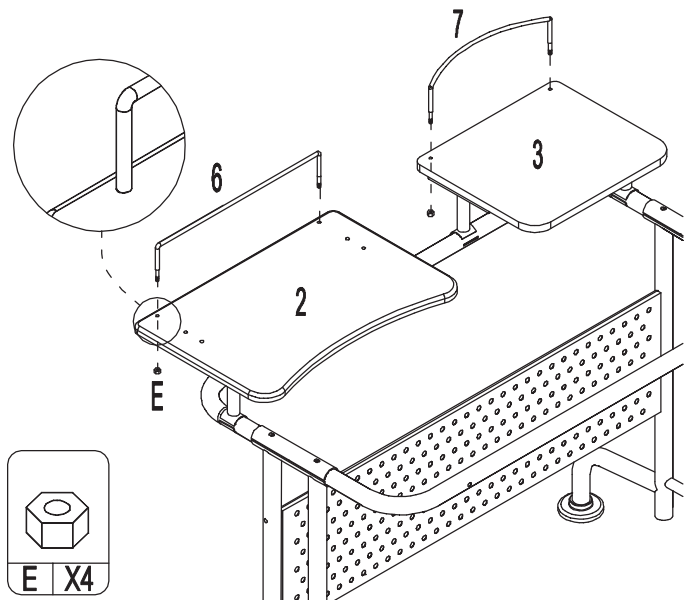
## STEP 5

Attach Support A (10) and Support B (11) to Back Tube of Table (8) and secure them with White Screw (B) and Washer (17).



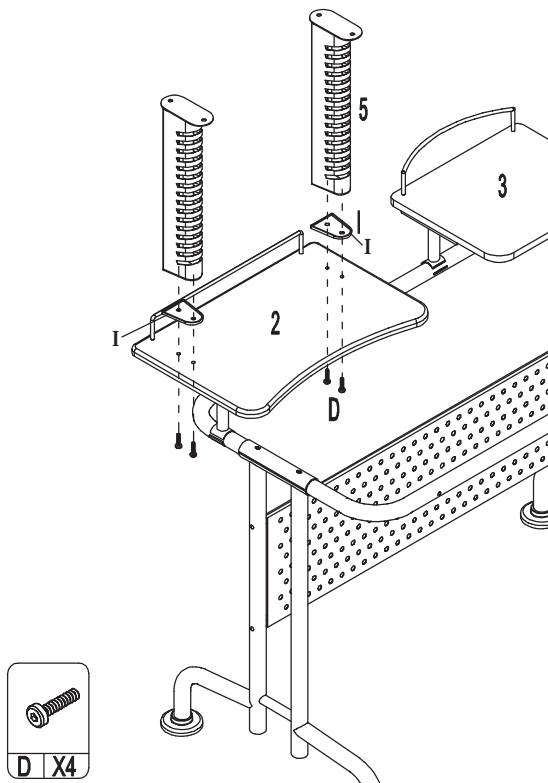
## STEP 6

Tap the Straight Steel Bar (6) into Bookshelf (2) and Curve Steel Bar (7) into Displayer Shelf (3). Tighten each with Nut (E).



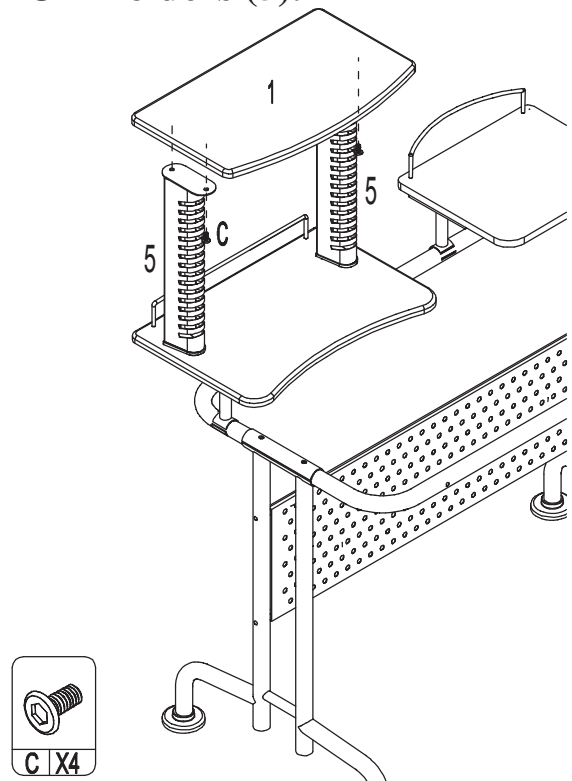
### STEP 7

Connect CD Holders (5) and CD Holder Pads (I) to Bookshelf (2).



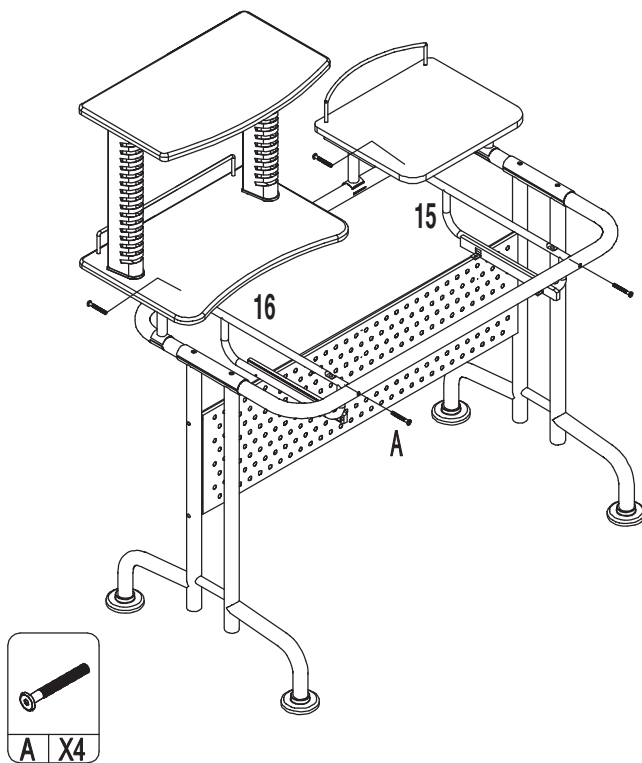
### STEP 8

Attach the Printer Shelf (1) to CD Holders (5).



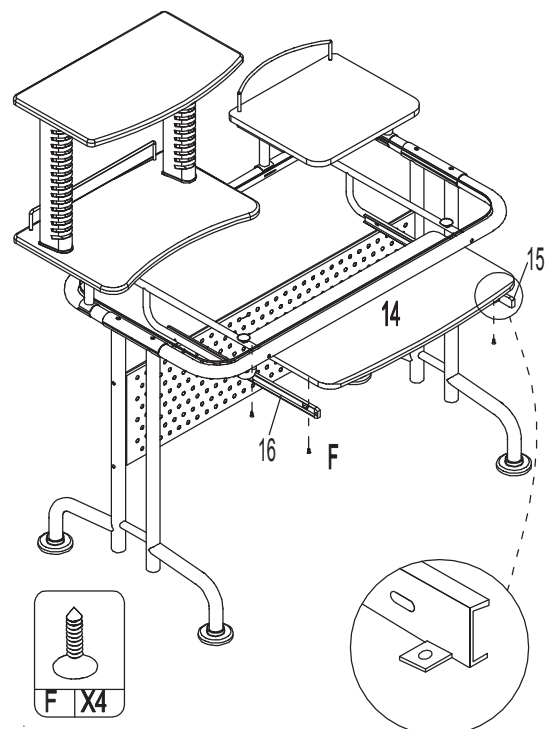
### STEP 9

Join the keyboard Right Slider (15) and Left Slider (16) to table frame.



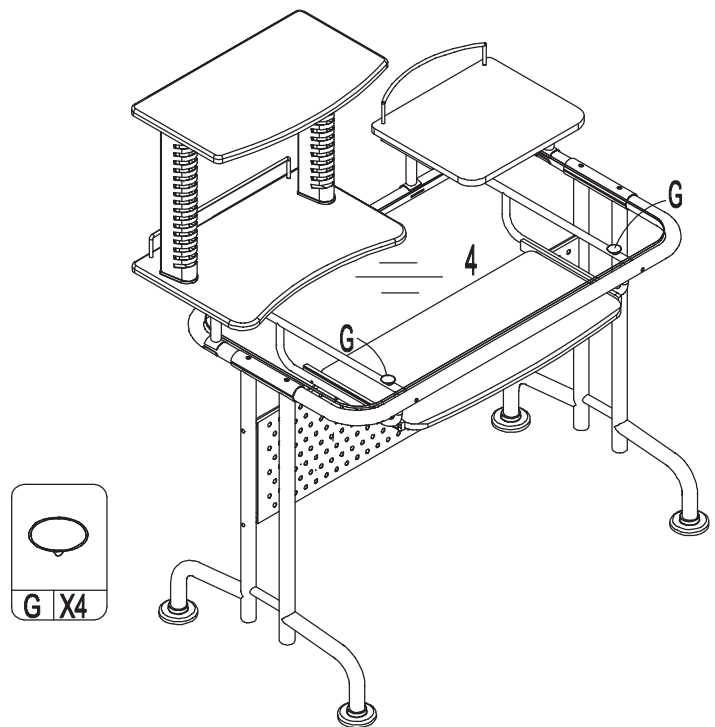
### STEP 10

Using Screws (F), screw Keyboard Panel (14) into the Sliders (15 & 16).



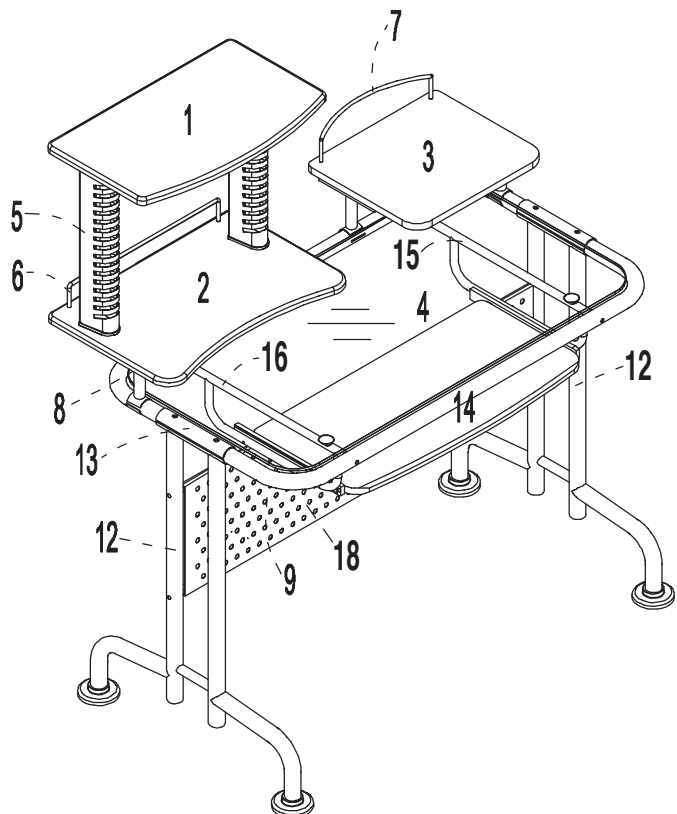
## STEP 11

Place four Suction Cups (G) onto Slider and attach the Glass Tabletop (4) to the table frame.



## STEP 12

Tighten all of the screws. Now the assembly is finished.



Do you have any questions? Missing small parts or hardware?

If you need assistance with the assembly of your

COMPUTER TABLE please e-mail our Customer Service

Department at: [support@fourstari.com](mailto:support@fourstari.com)

or call us at (508) 435-4830 or (800) 639-3803

Both hotlines are available from 9 AM to 5 PM (EST)

Please include the following information in your email:

- Where item was purchased
- Item, model, style or SKU number listed on instructions or box
- Part number, description of the part and quantity needed

This information will help us get the proper part to you faster.