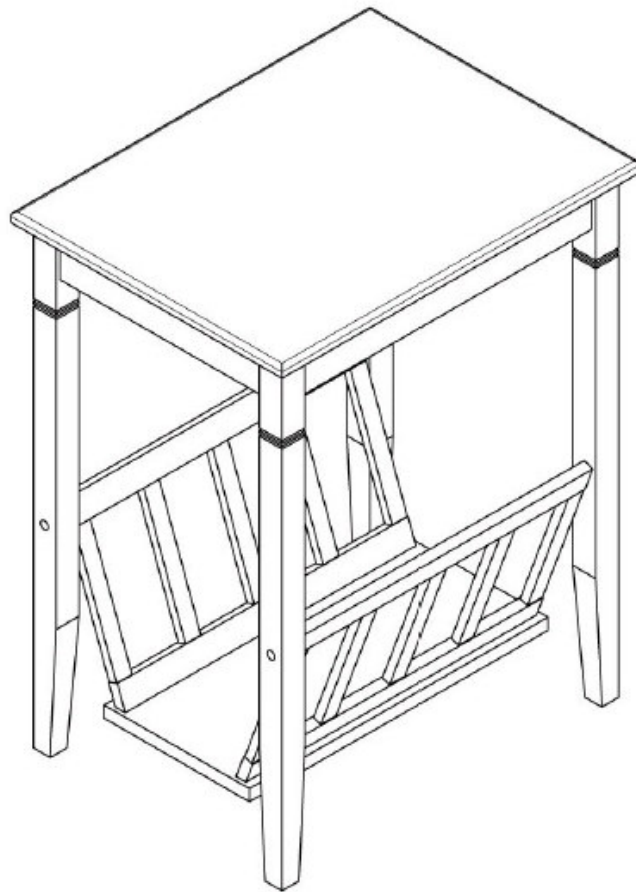







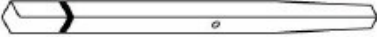

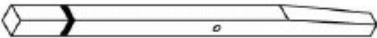
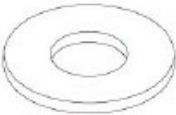



fourstargroup



MODEL: 11221146

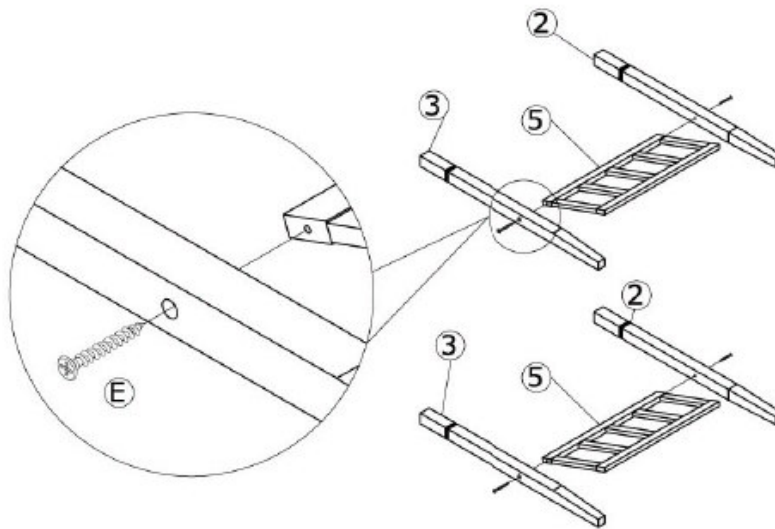
MAGAZINE TABLE

PARTS LIST AND HARDWARE

A. ALLEN WRENCH 1PC 	1. TOP PANEL 1PC 
B. BOLT 8PCS 	2. LEG 2PCS 
C. SPRING WASHER 8PCS 	3. LEG 2PCS 
D. WASHER 8PCS 	4. BOTTOM PANEL 1PC 
E. WOOD SCREW 10PCS 	5. SHELF 2PCS 

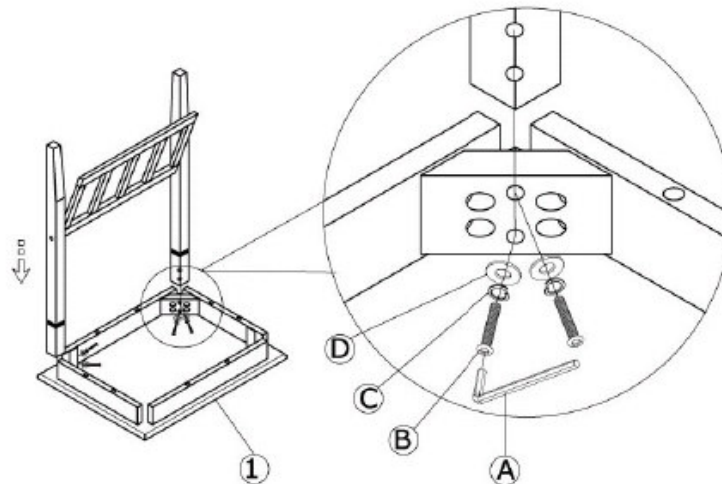
STEP 1

Attach shelf (5) to leg (2) and leg (3) using wood screw (E) as shown.



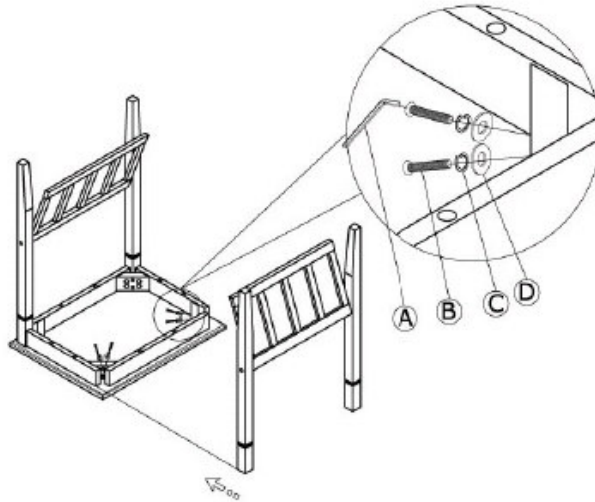
STEP 2

Attach leg (2) and leg (3) to top panel (1) using bolt (B), spring washer (C) and washer (D) by allen wrench (A) as shown.



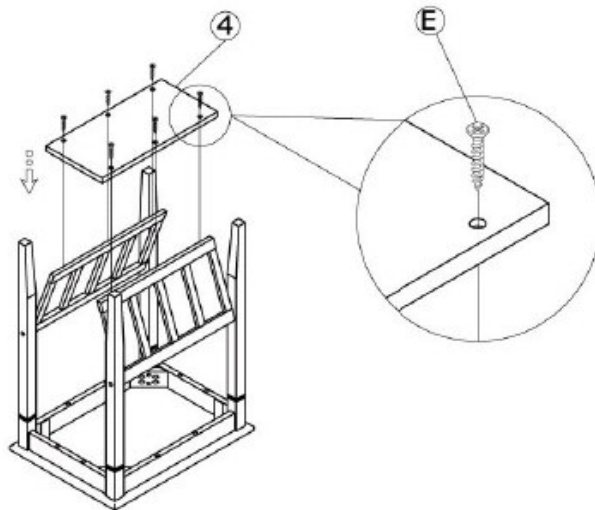
STEP 3

Attach the other leg (2) and leg (3) to top panel (1) using bolt (B), spring washer (C) and washer (D) by allen wrench (A) as shown.



STEP 4

Attach bottom panel (4) to shelf (5) using wood screw (E) as shown.



Do you have any questions? Missing small parts or hardware?
If you need assistance with the assembly of your
MAGAZINE TABLE please e-mail our
Customer Service Department at:
support@fourstari.com
or call us at (508) 435-4830
or (800) 639-3803

Please include the following information in your email:

- Where item was purchased
- Item, model, style or SKU number listed on instructions or box
- Part number, description of the part and quantity needed

This information will help us get the proper part to you faster