









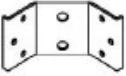
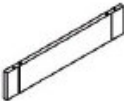

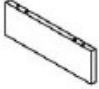



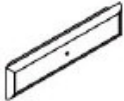






fourstargroup



MODEL: 11221144

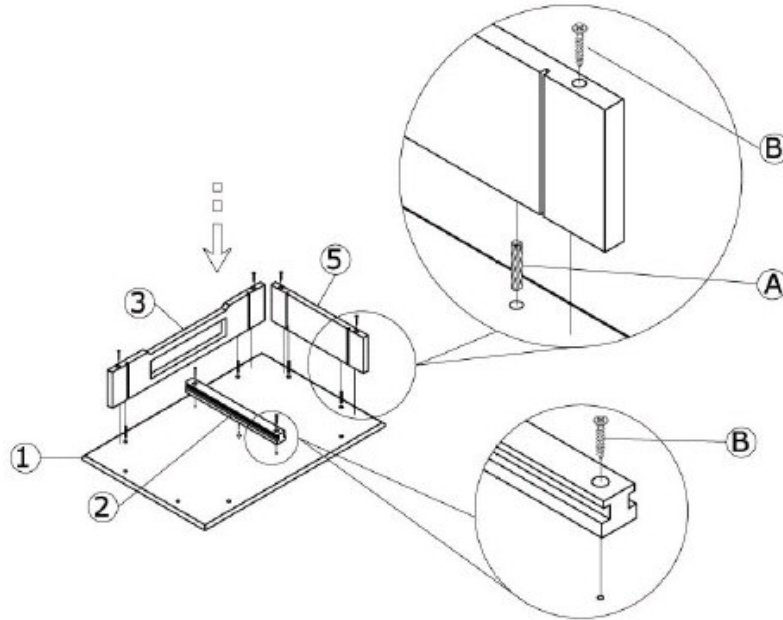
END TABLE WITH DRAWER

PARTS LIST AND HARDWARE

<p>A. WOOD DOWEL 8PCS</p> 	<p>1. TOP PANEL 1PC</p> 
<p>B. BIG WOOD SCREW (#7*25) 18PCS</p> 	<p>2. WOOD BAR 1PC</p> 
<p>C. SMALL WOOD SCREW (#7*15) 24PCS</p> 	<p>3. FRONT PANEL 1PC</p> 
<p>D. METAL PLATE 4PCS</p> 	<p>4. BACK PANEL 1PC</p> 
<p>E. ALLEN WRENCH 1PC</p> 	<p>5. SIDE PANEL 2PCS</p> 
<p>F. BIG BOLT 8PCS</p> 	<p>6. LEG 4PCS</p> 
<p>G. SPRING WASHER 8PCS</p> 	<p>7. DRAWER FRONT PANEL 1PC</p> 
<p>H. WASHER 8PCS</p> 	<p>8. DRAWER BOTTOM PANEL 1PC</p> 
<p>I. SMALL BOLT 1PC</p> 	<p>9. DRAWER BACK PANEL 1PC</p> 
<p>J. KNOB 1PC</p> 	<p>10. DRAWER SIDE PANEL 2PCS</p> 

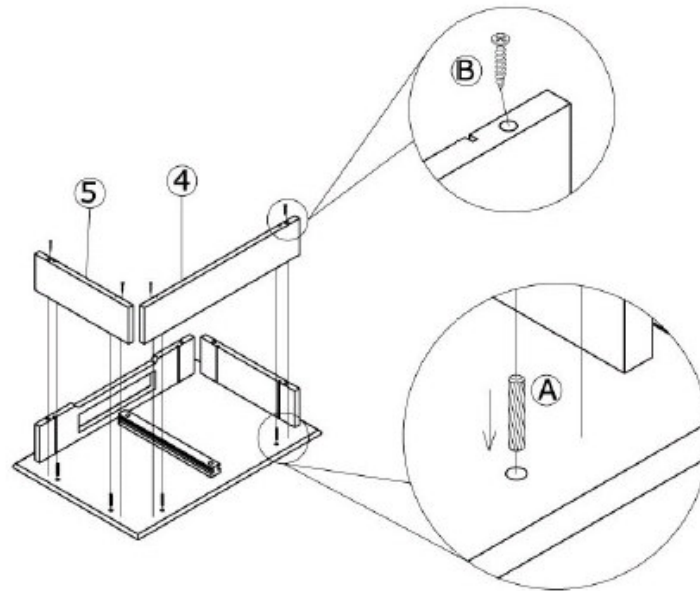
STEP 1

Attach front panel (3) and side panel (5) to top panel (1) using big wood screw (B) and wood dowel (A) as shown, then attach wood bar (2) to top panel (1) using big wood screw (B) as shown.



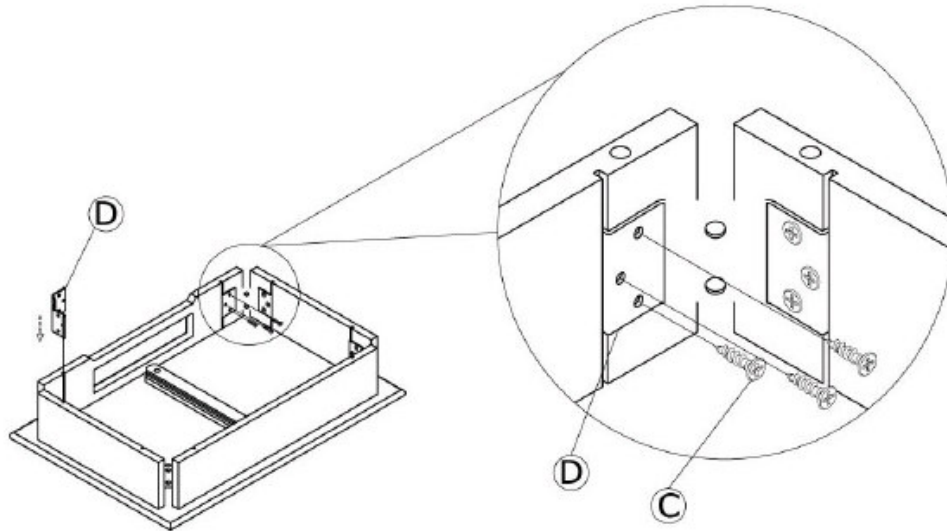
STEP 2

Attach back panel (4) and side panel (5) to top panel (1) using big wood screw (B) and wood dowel (A) as shown.



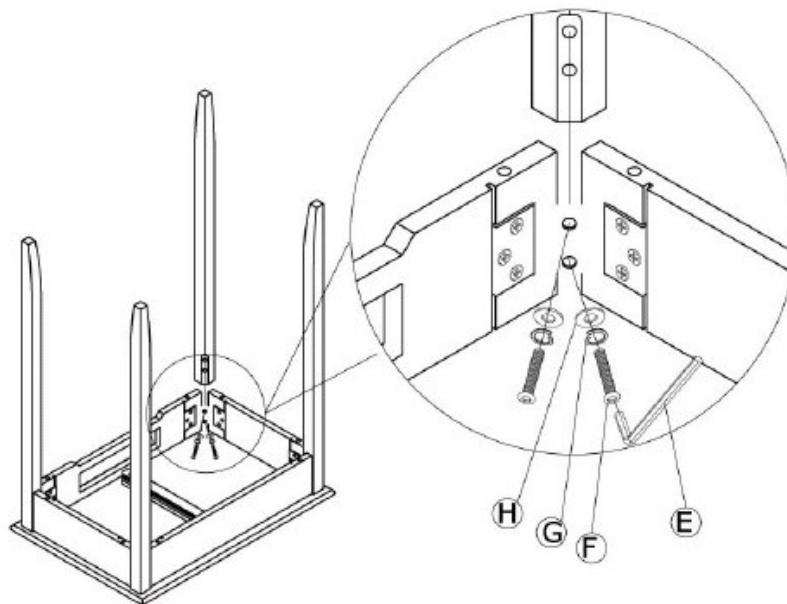
STEP 3

Attach metal plate (D) to connect front panel (3) and side panel (5), side panel (5) and back panel (4) using small wood screw (C) as shown.



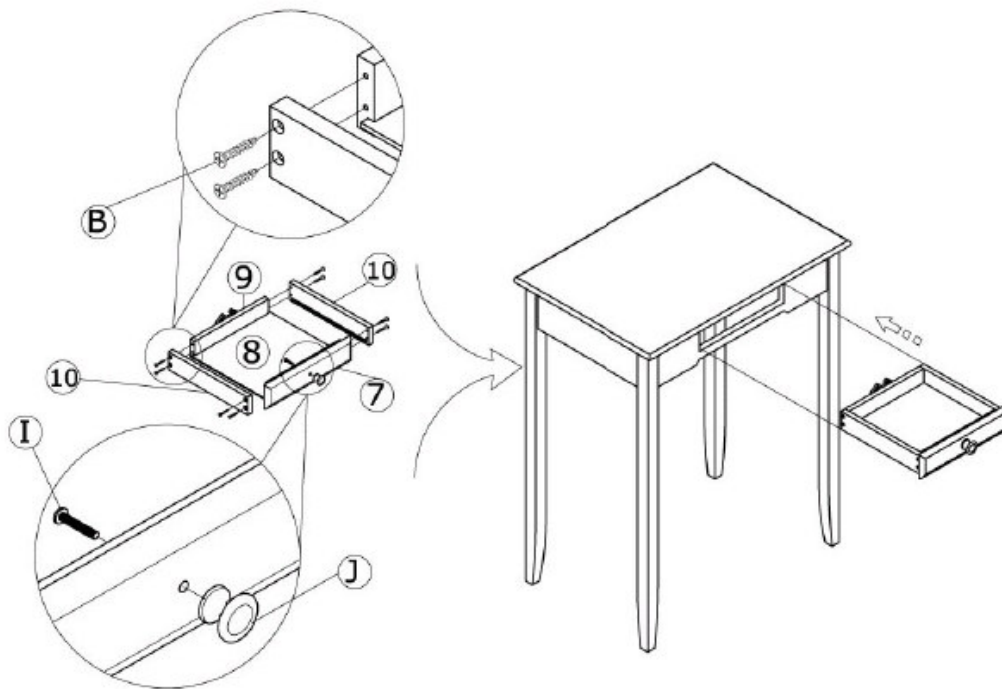
STEP 4

Attach each leg (6) to each metal plate (D) using big bolt (F), spring washer (G), washer (H) and allen wrench (E) as shown.



STEP 5

Connect the drawer front panel (7), drawer side panel (10), drawer back panel (9) and drawer bottom panel (8) using big wood screw (B) as shown, then attach knob (J) to the drawer front panel (7) using small bolt (I) as shown, at last push the drawer to wood bar (2) from the front panel (3) as shown.



Do you have any questions? Missing small parts or hardware?
If you need assistance with the assembly of your
END TABLE WITH DRAWER please e-mail our
Customer Service Department at:
support@fourstari.com
or call us at (508) 435-4830
or (800) 639-3803

Please include the following information in your email:

- Where item was purchased
- Item, model, style or SKU number listed on instructions or box
- Part number, description of the part and quantity needed

This information will help us get the proper part to you faster