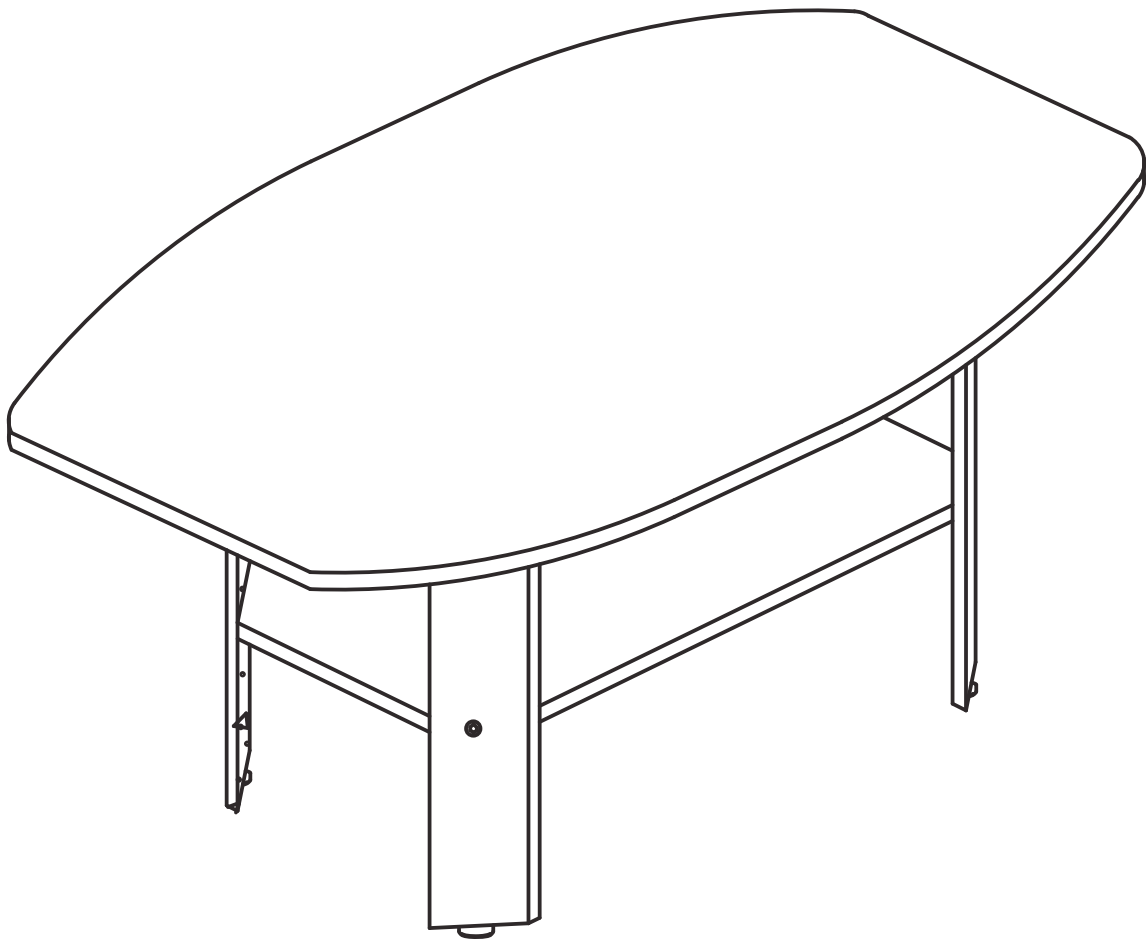










fourstargroup


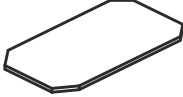



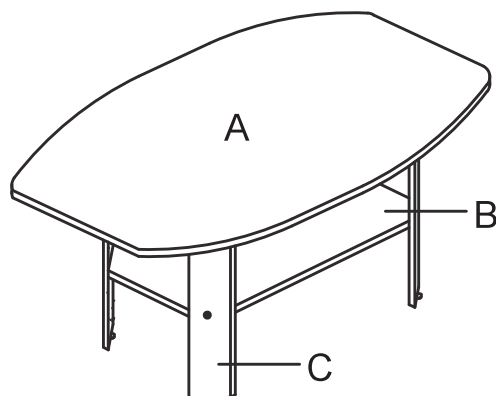
MODEL: 11211717S

**COFFEE TABLE**

# PARTS LIST AND HARDWARE

NO	HARDWARE LIST		QTY
1	WOOD DOWEL		8 pcs
2	SCREW		8 pcs
3	FURNITURE GLIDE		4 pcs
4	WHITE GLUE		1 pc
5	L-BRACKET		4 pcs
6	TAPPING SCREW		8 pcs

NO	PARTS LIST		QTY
A	TOP PANEL		1 pc
B	SHELF PANEL		1 pc
C	LEG PANEL		4 pcs



**BEFORE YOU BEGIN , PLEASE READ ASSEMBLY INSTRUCTIONS CAREFULLY. FOLLOW THEM STEP BY STEP.**

**CAUTION:**

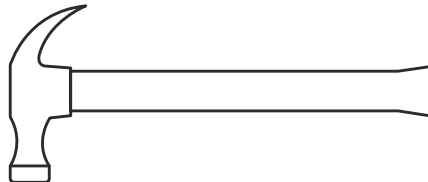
- 1. ADULT SUPERVISION IS REQUIRED DUE TO SMALL PARTS. CARE SHOULD BE TAKEN IN THE UNPACKING AND ASSEMBLY OF THE PRODUCT.**
- 2. ASSEMBLE ON SOFT SURFACES TO PREVENT DAMAGE TO THE PRODUCT FINISH.**
- 3. MAKE SURE ALL PARTS ARE INCLUDED BEFORE ASSEMBLY.**

**ASSEMBLY TOOLS REQUIRED**

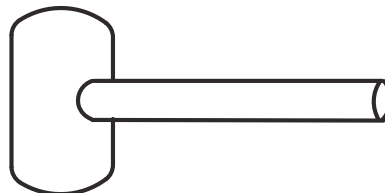
**PHILIPS  
SCREWDRIVER**



**MALLET**



**RUBBER MALLET**

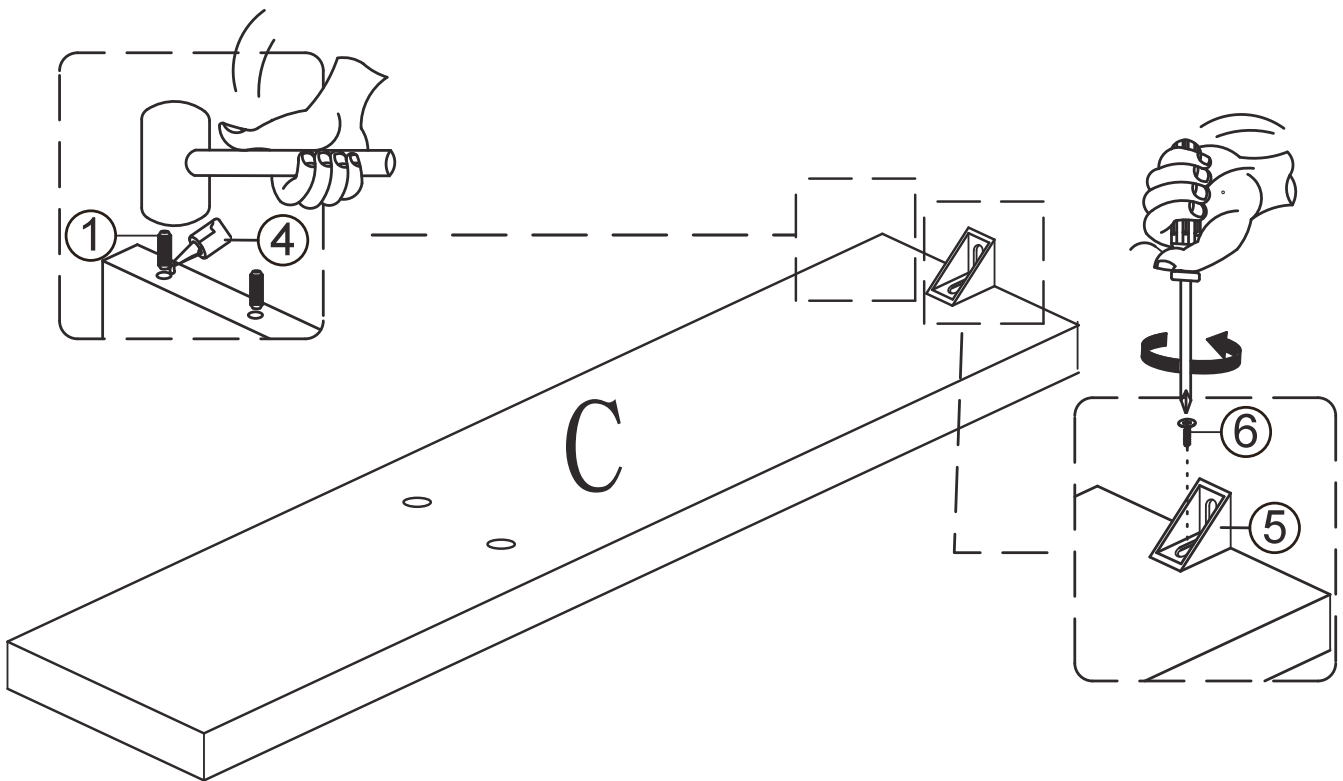


# ASSEMBLY INSTRUCTIONS

**BEFORE YOU BEGIN , PLEASE FOLLOW ASSEMBLY INSTRUCTION CAREFULLY , FOLLOW STEP BY STEP.**

## STEP 1

**ATTACH WOOD DOWELS (1) TO THE HOLES IN THE LEGS (C) USING WHITE GLUE (4) THEN ATTACH L-BRACKET (5) USING TAPPING SCREWS (F) AS SHOWN.**



① WOOD DOWEL - 8 PCS



④ WHITE GLUE - 1 PC



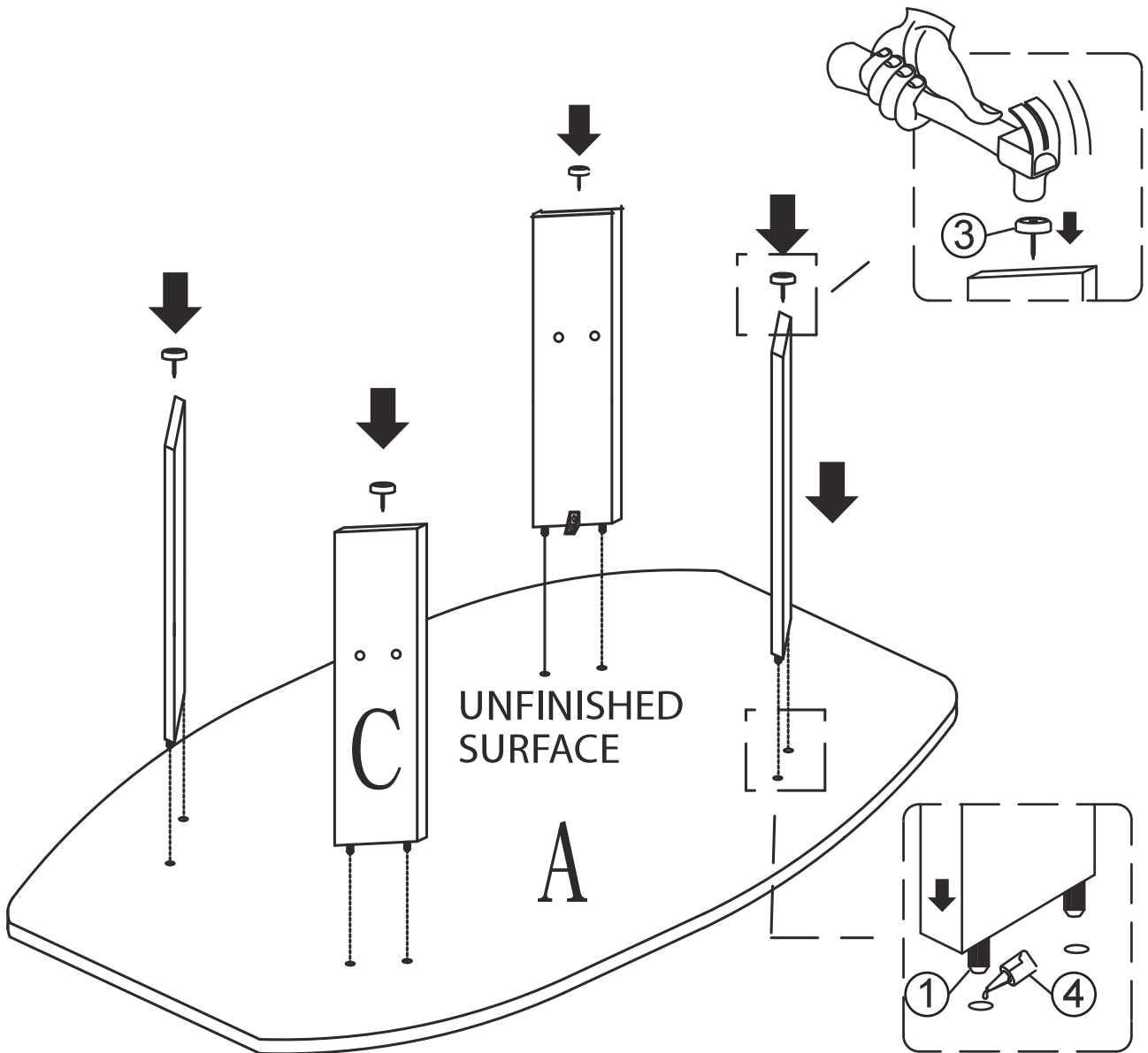
⑤ L-BRACKET - 4 PCS



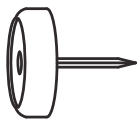
⑥ TAPPING SCREW - 4 PCS

## STEP 2

**ATTACH TOP PANEL (A) TO THE ASSEMBLED PART FROM STEP 1 USING WOOD DOWELS (1) AND WHITE GLUE (4) THEN ATTACH FURNITURE GLIDE (3) TO THE BASE OF THE LEGS (C) AS SHOWN.**



① WOOD DOWEL - 8 PCS



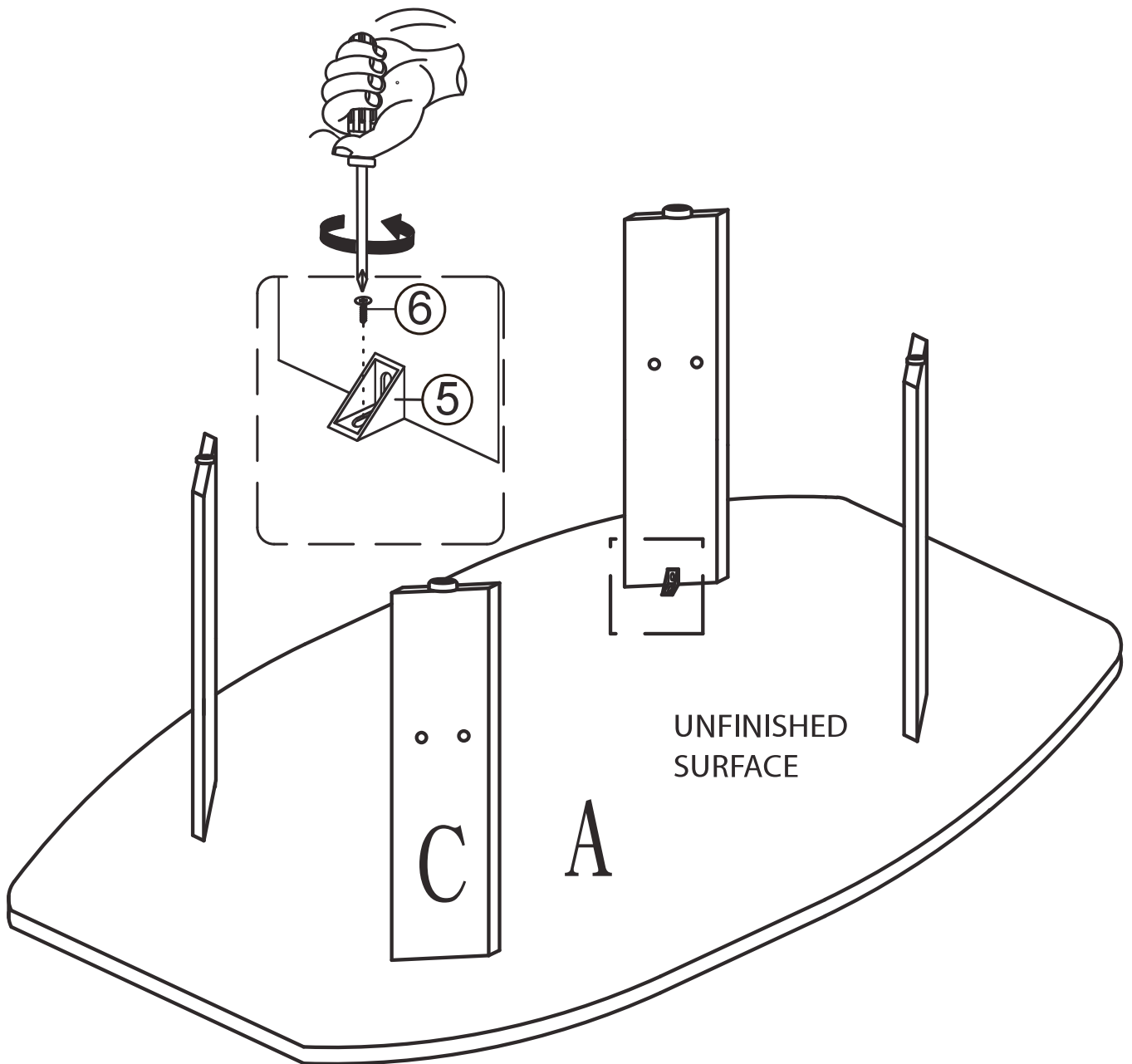
③ FURNITURE GLIDE - 4 PCS



④ WHITE GLUE - 1 PC

**STEP 3**

**ATTACH TAPPING SCREWS (6) TO THE L-BRACKET (5) AS SHOWN.**



⑥ TAPPING SCREW - 4 PCS

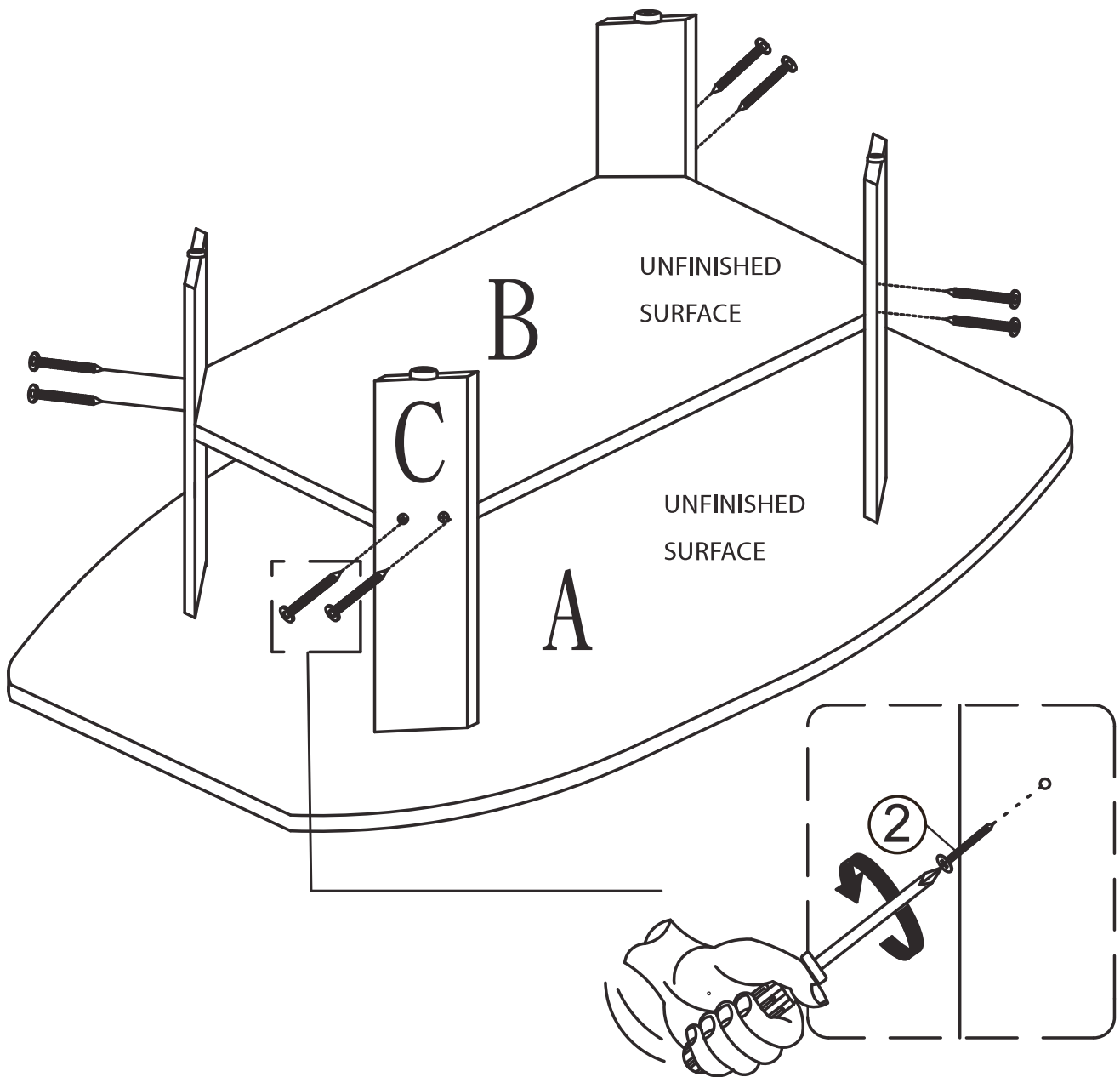


⑤ L-BRACKET - 4 PCS

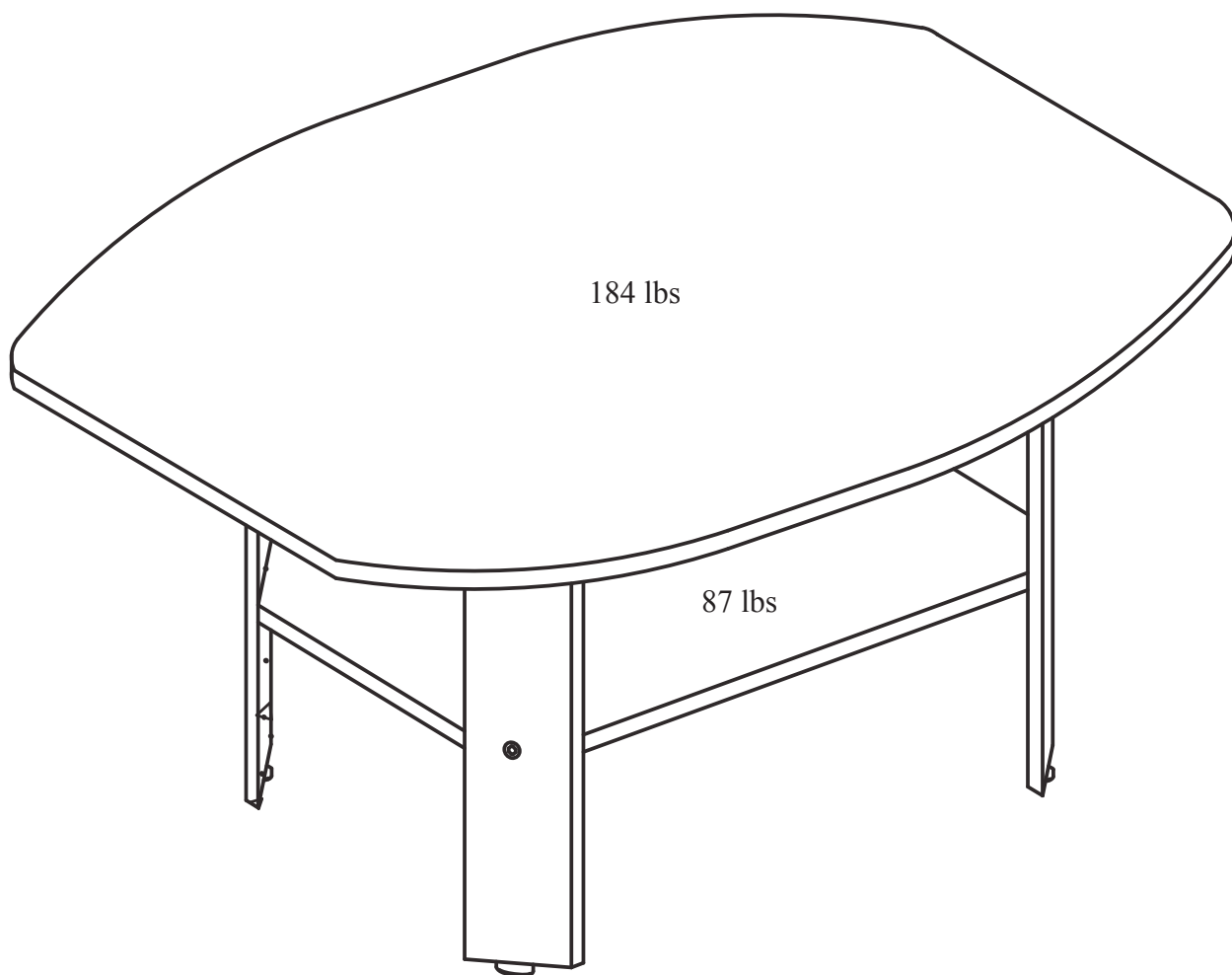
**STEP 4**

**ATTACH SHELF PANEL (B) TO LEGS (C) USING C/B SCREW (2)  
AS SHOWN.**

**THEN ALLOW GLUE TO DRY COMPLETELY.**



② C/B SCREW - 8 PCS



This unit is intended for use only with the products and maximum weights indicated. Use with other products or products heavier than the maximum weights indicated may result in instability causing possible injury. Furniture can tip over or break if improperly moved. Have a friend help to lift and carry the unit to its new location.

Do you have any questions? Missing small parts or hardware?

If you need assistance with the assembly of your COFFEE

TABLE please e-mail our Customer Service Department at:

**support@fourstari.com**

**or call us at (508) 435-4830**

or (800) 639-3803

Please include the following information in your email:

- Where item was purchased
- Item, model, style or SKU number listed on instructions or box
- Part number, description of the part and quantity needed

This information will help us get the proper part to you faster