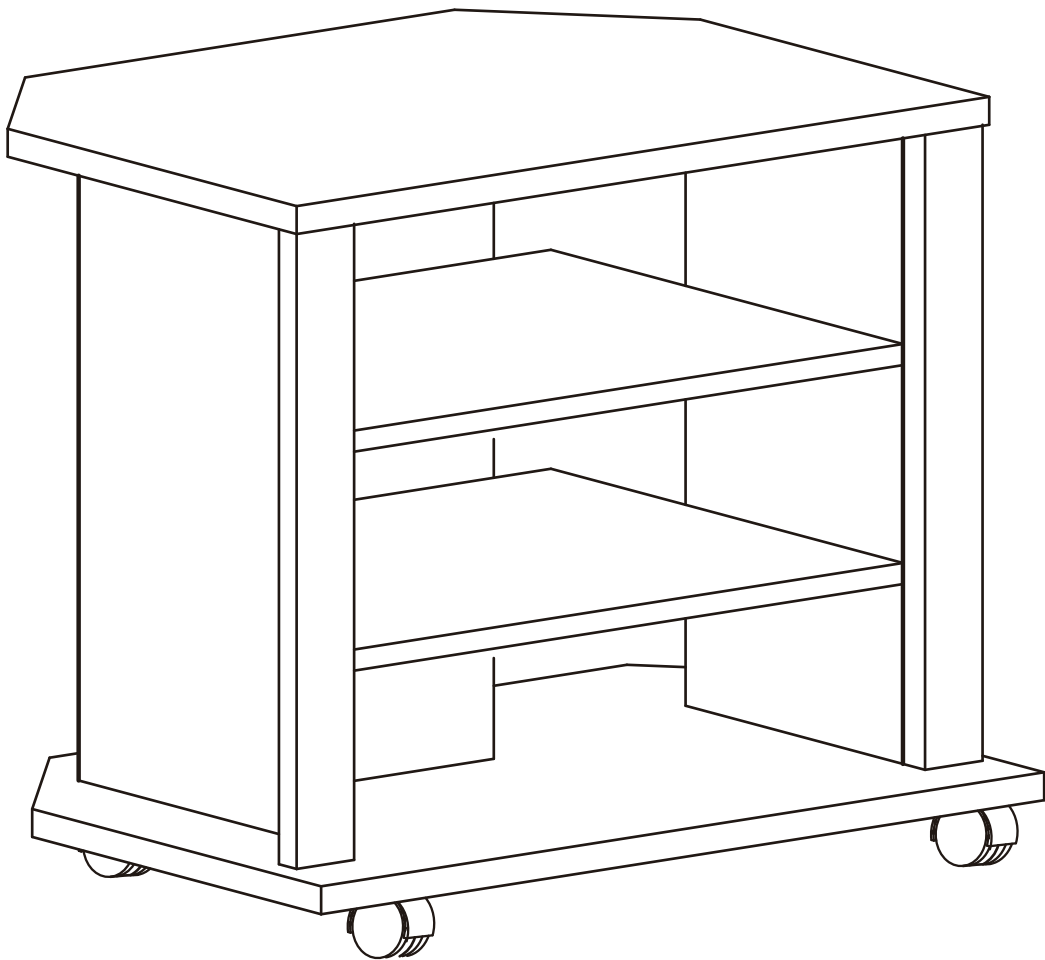







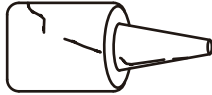


fourstargroup

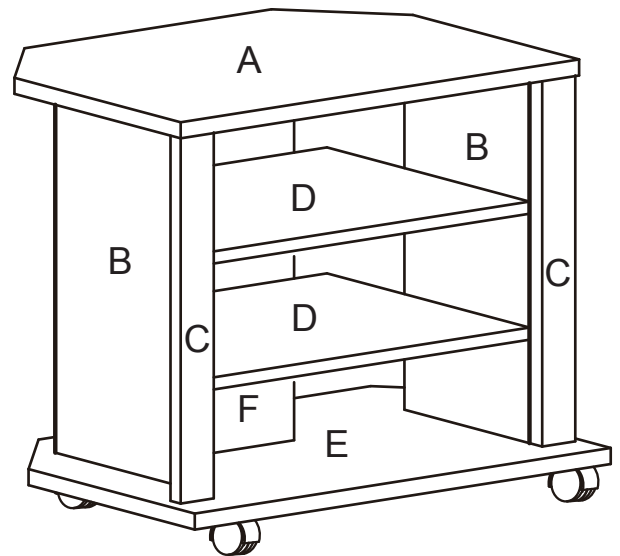


MODEL: 11211715V
CORNER TV STAND

HARDWARE AND PARTS LIST

NO	HARDWARE LIST		QTY
1	WOOD DOWEL		18 pcs
2	SCREW		6 pcs
3	SHELF SUPPORT		10 pcs
4	CASTER		4 pcs
5	CSK SCREW		16 pcs
6	WHITE GLUE		1 pc

NO	PARTS LIST	QTY
A	TOP PANEL	1 pc
B	SIDE PANEL	2 pcs
C	FRONT PANEL	2 pcs
D	SHELF PANEL	2 pcs
E	BOTTOM PANEL	1 pc
F	BACK PANEL	1 pc



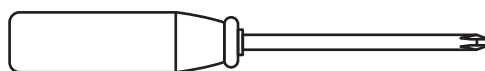
BEFORE YOU BEGIN, PLEASE READ ASSEMBLY INSTRUCTIONS CAREFULLY. FOLLOW THEM STEP BY STEP.

CAUTION :

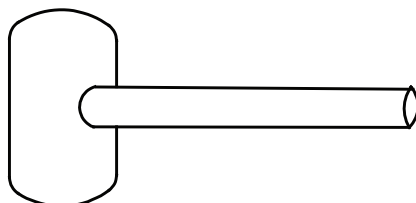
- 1. ADULT SUPERVISION IS REQUIRED DUE TO SMALL PARTS. CARE SHOULD BE TAKEN IN THE UNPACKING AND ASSEMBLY OF THE PRODUCT.**
- 2. ASSEMBLE ON SOFT SURFACES TO PREVENT DAMAGE TO THE PRODUCT FINISH.**
- 3. MAKE SURE ALL PARTS ARE INCLUDED BEFORE ASSEMBLY.**

ASSEMBLY TOOLS REQUIRED

**PHILIPS
SCREWDRIVER**



RUBBER MALLET

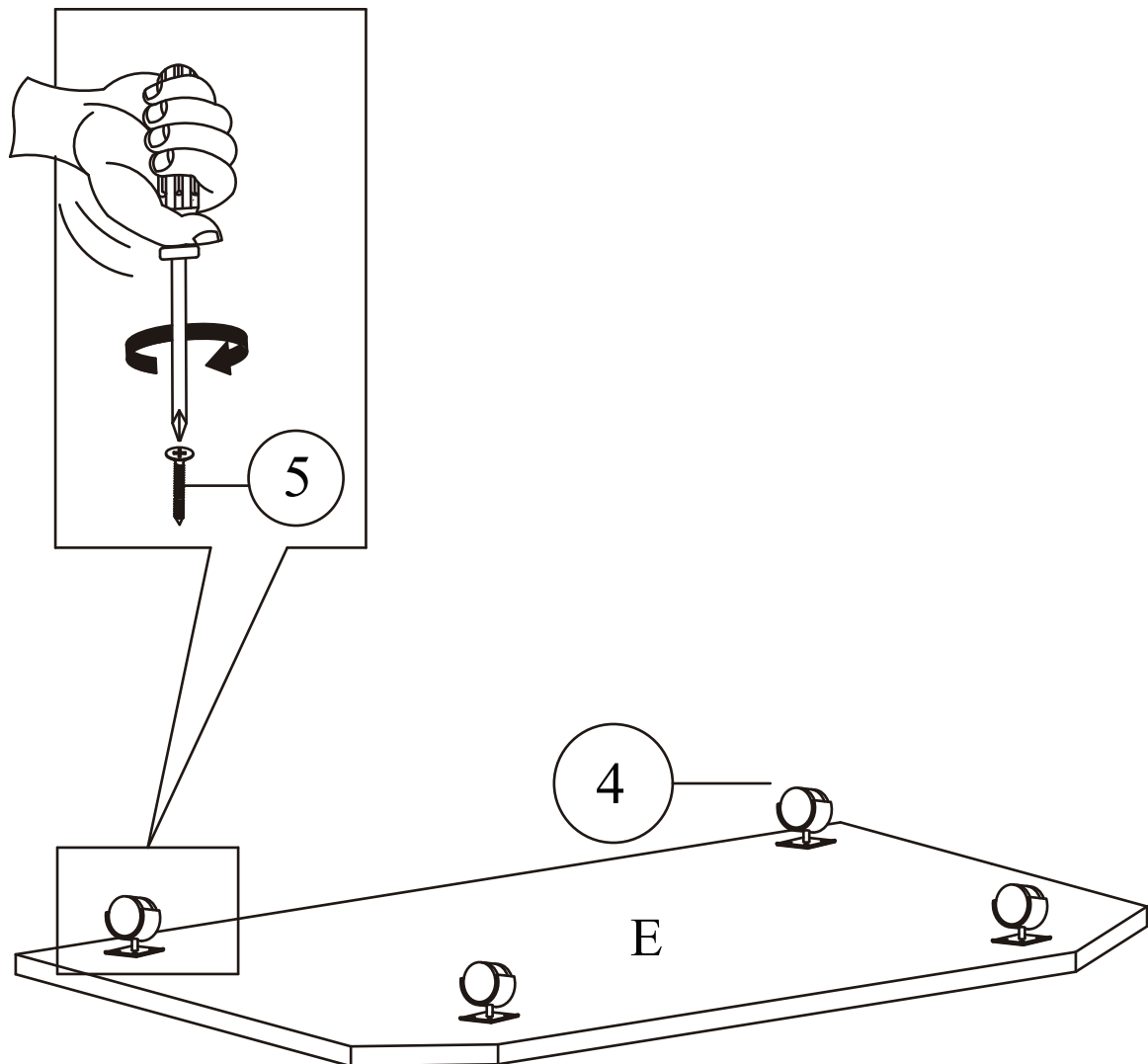


ASSEMBLY INSTRUCTIONS

BEFORE YOU BEGIN, PLEASE READ ASSEMBLY INSTRUCTIONS CAREFULLY. FOLLOW THEM STEP BY STEP.

STEP 1

ATTACH CASTERS (4) TO BOTTOM PANEL (E) USING CSK SCREWS (5) AS SHOWN.



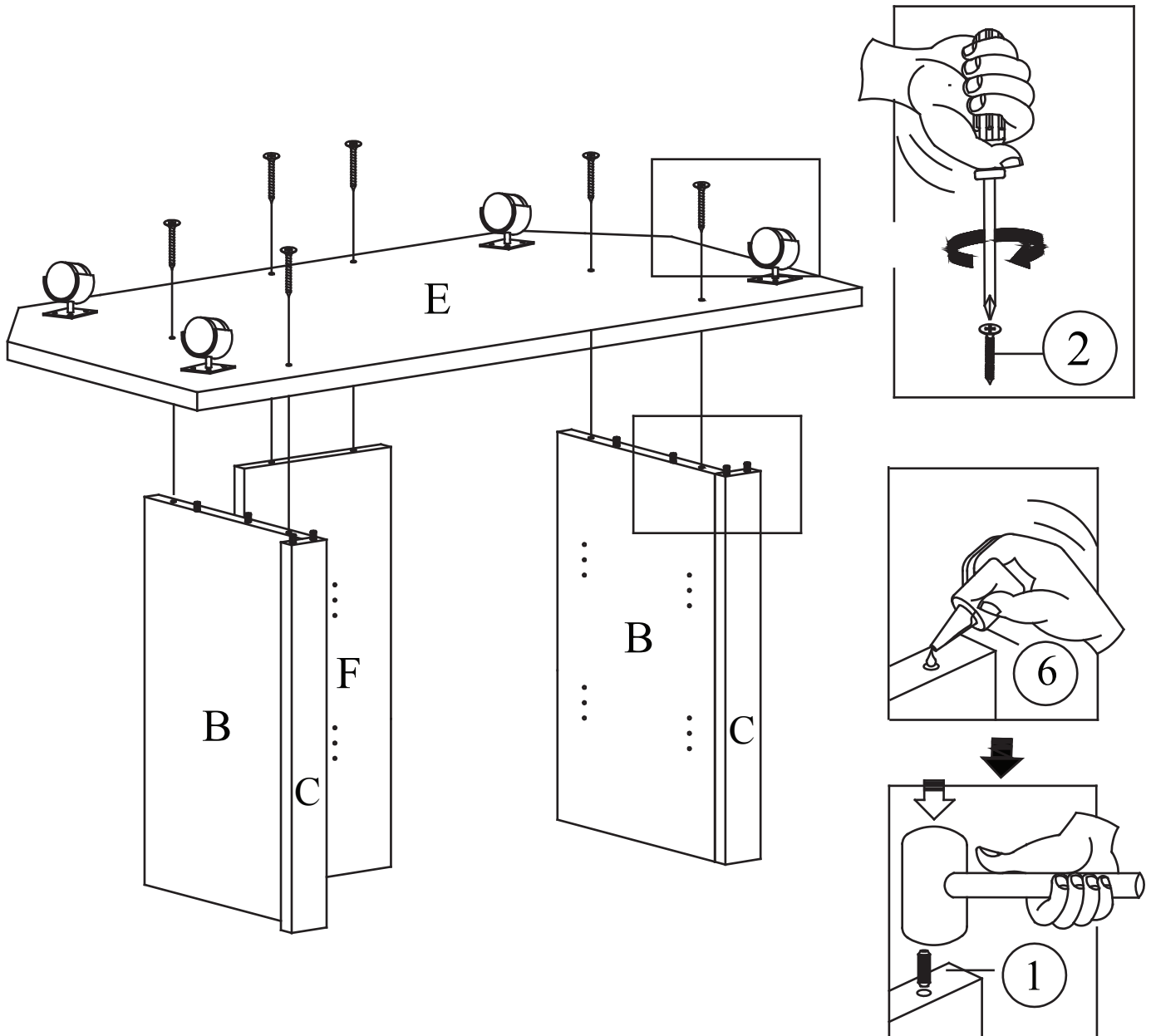
④ **CASTER - 4 PCS**



⑤ **CSK SCREW - 16 PCS**

STEP 2

ATTACH SIDE PANELS (B), FRONT PANELS (C) AND BACK PANEL (F) TO ASSEMBLED STEP 1 USING WOOD DOWELS (1), WHITE GLUE (6) AND SCREWS (2) AS SHOWN.



① WOOD DOWEL - 8 PCS



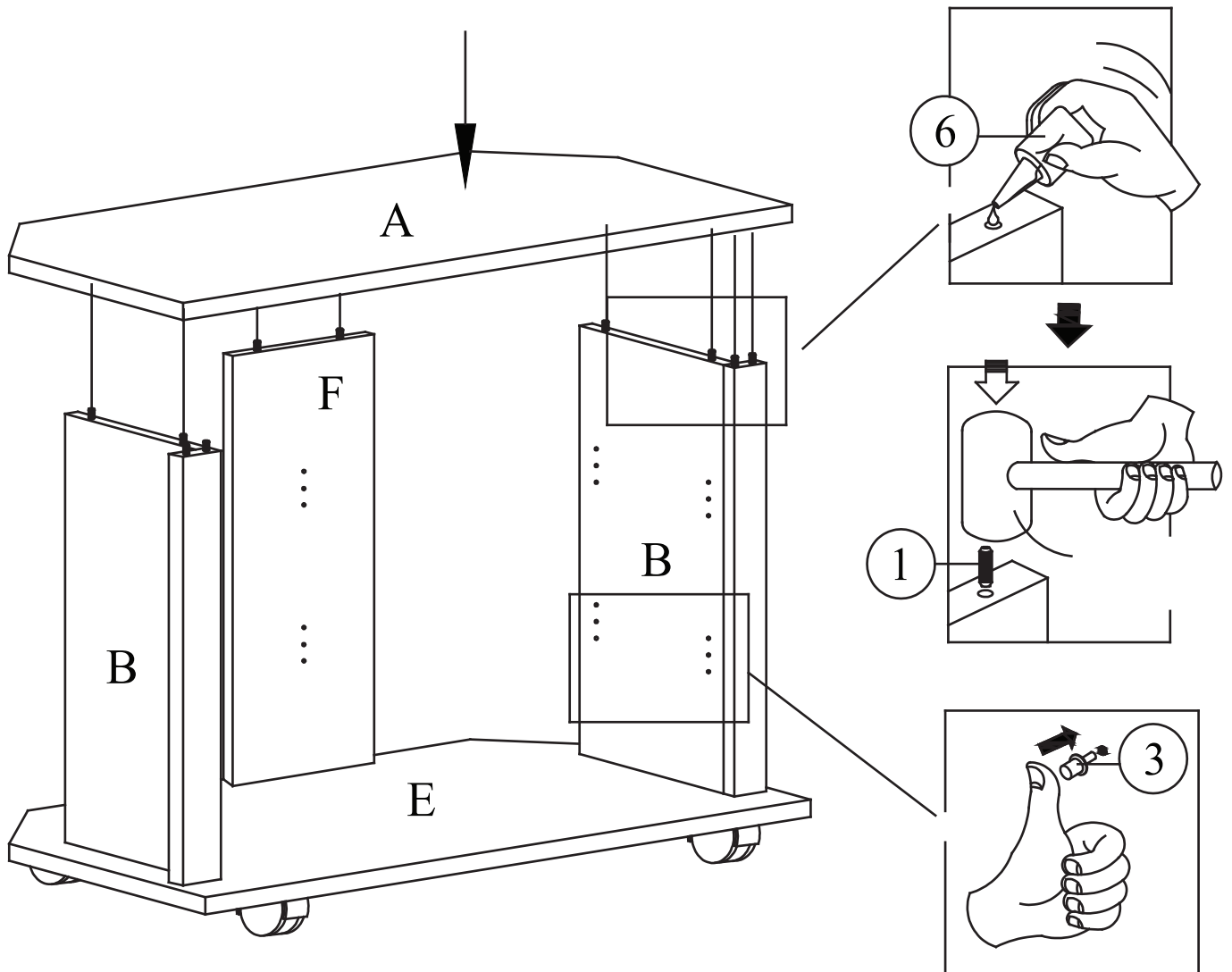
② SCREW - 6 PCS



⑥ WHITE GLUE - 1 PC

STEP 3

ATTACH TOP PANEL (A) TO ASSEMBLED STEP 2 USING WOOD DOWEL (1). INSERT SHELF SUPPORT INTO SIDE PANELS (B) AND BACK PANEL (F) HOLES. THEN ALLOW GLUE TO DRY COMPLETELY.



① WOOD DOWEL - 10 PCS

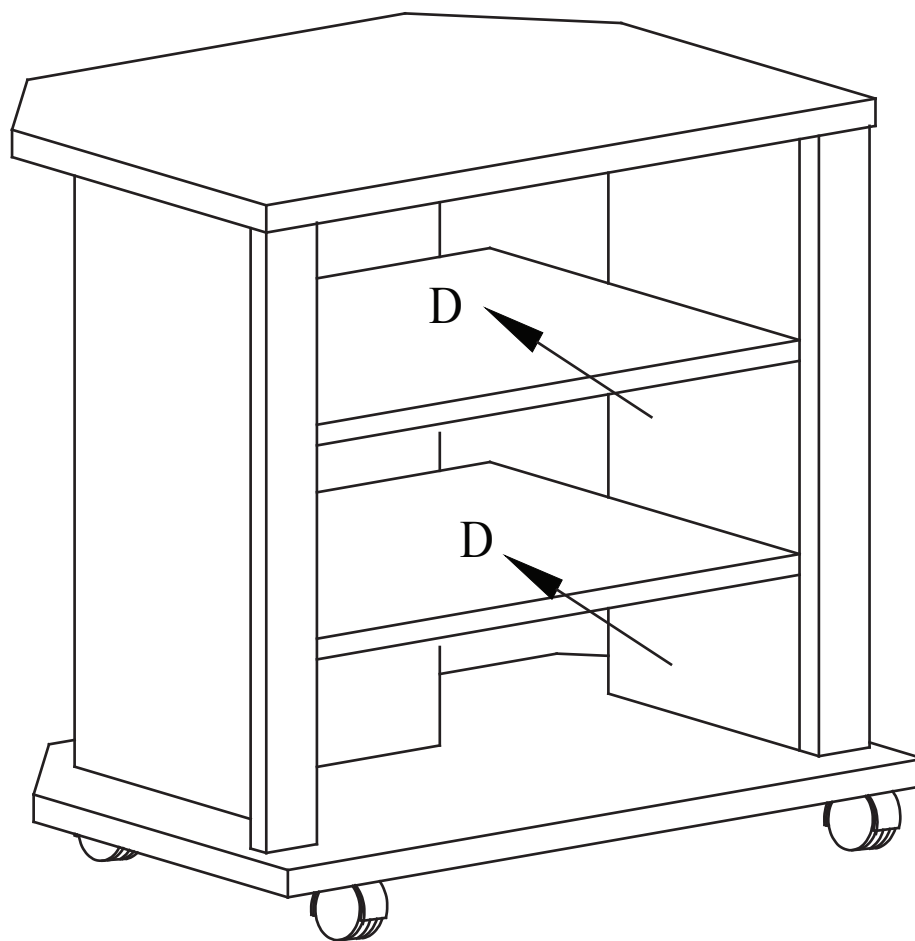


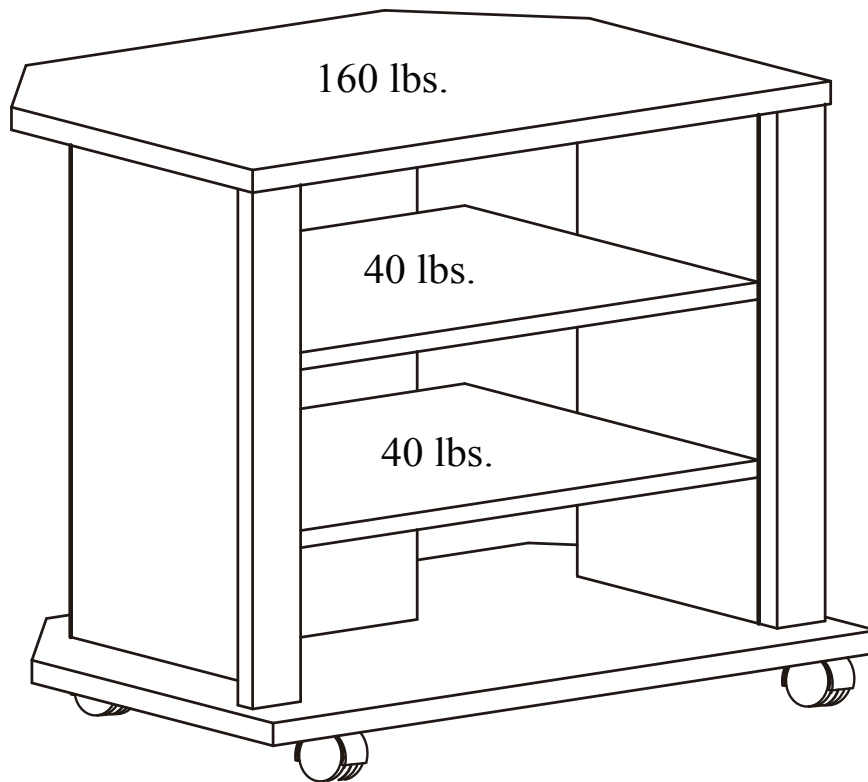
③ SHELF SUPPORT - 10 PCS



⑥ WHITE GLUE - 1 PC

STEP 4
PLACE SHELF PANEL (D) TO ASSEMBLED FROM STEP 3
AS SHOWN.





This unit is intended for use only with the products and maximum weights indicated. Use with other products or products heavier than the maximum weights indicated may result in instability causing possible injury. Furniture can tip over or break if improperly moved. Have a friend help to lift and carry the unit to its new location.

Do you have any questions ? Missing small parts or hardware?
If you need assistance with the assembly of your TV STAND
please e-mail our Customer Service
Department at:
support@fourstari.com
or call us at **(508) 435-4830**
or (800) 639-3803

Please include the following information in your email:

- Where item was purchased
- Item, model, style or SKU number listed on instructions or box
- Part number, description of the part and quantity needed

This information will help us get the proper part to you faster