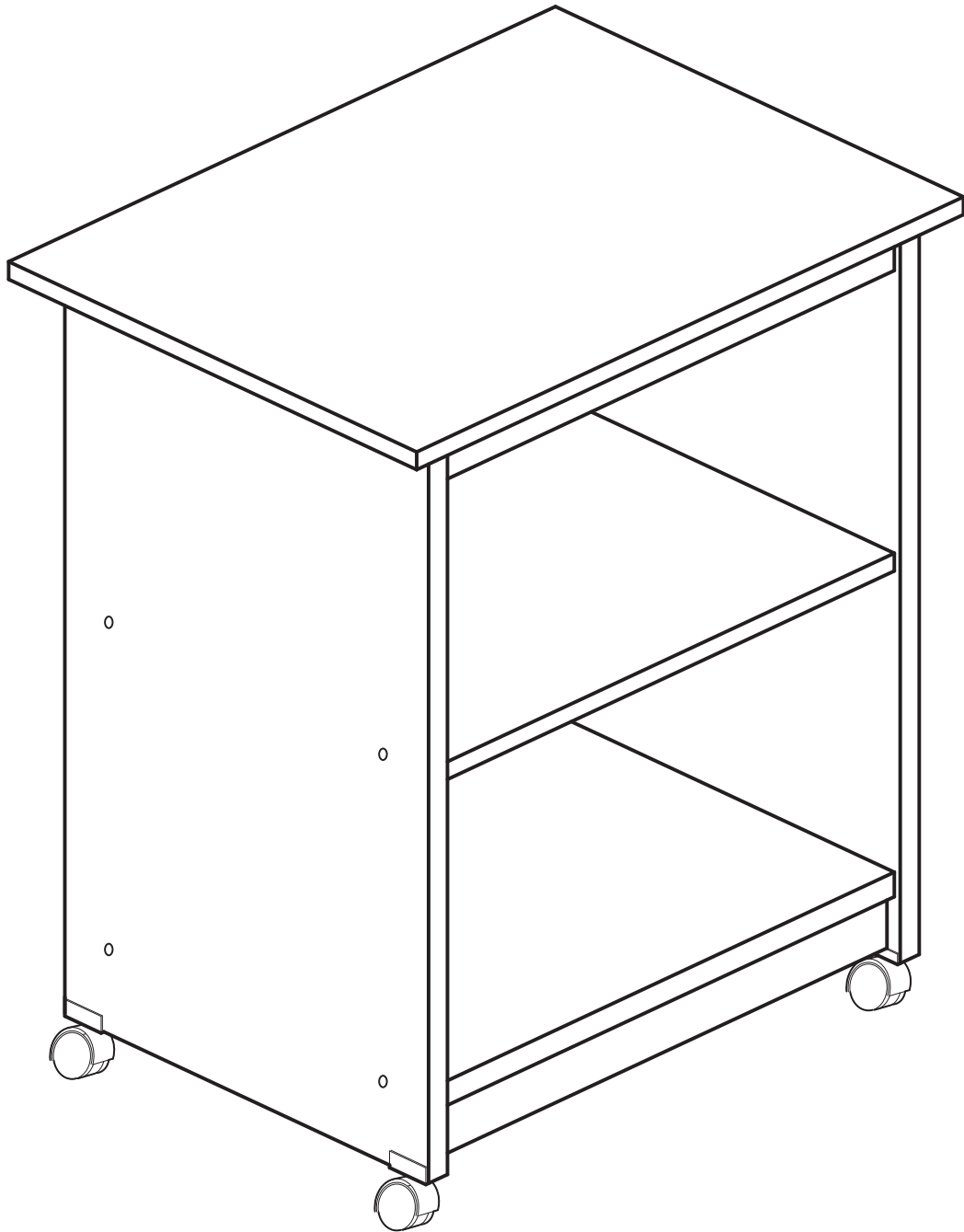









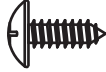
fourstargroup


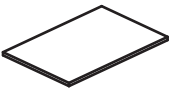





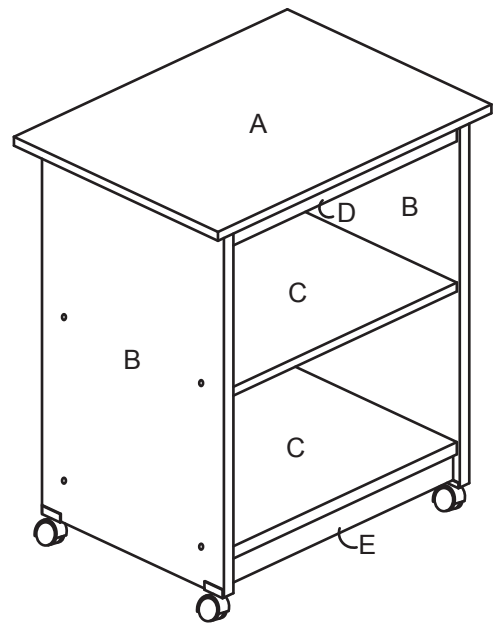
MODEL: 1209737V

MULTI-PURPOSE UTILITY CART

PARTS

NO	HARDWARE LIST		QTY
1	C/B SCREW		8 pcs
2	6 x 1/2 in. SCREW		16 pcs
3	CORNER BRACKET		8 pcs
4	SOCKET CASTER		4 pcs
5	'U' BRACKET		4 pcs
6	8 x 1/2 in. SCREW		8 pcs

NO	PARTS LIST		QTY
A	TOP PANEL		1 pc
B	L&R SIDE PANEL		2 pcs
C	SHELF & BOTTOM PANEL		2 pcs
D	UPPER SKIRT PANEL		2 pcs
E	LOWER SKIRT PANEL		2 pcs



BEFORE YOU BEGIN, PLEASE READ ASSEMBLY INSTRUCTIONS CAREFULLY. FOLLOW THEM STEP BY STEP.

CAUTION :

- 1. ADULT SUPERVISION IS REQUIRED DUE TO SMALL PARTS. CARE SHOULD BE TAKEN IN THE UNPACKING AND ASSEMBLY OF THE PRODUCT.**
- 2. ASSEMBLE ON SOFT SURFACES TO PREVENT DAMAGE TO THE PRODUCT FINISH.**
- 3. MAKE SURE ALL PARTS ARE INCLUDED BEFORE ASSEMBLY.**

ASSEMBLY TOOLS REQUIRED

**PHILLIPS
SCREWDRIVER**

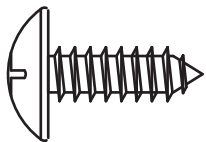
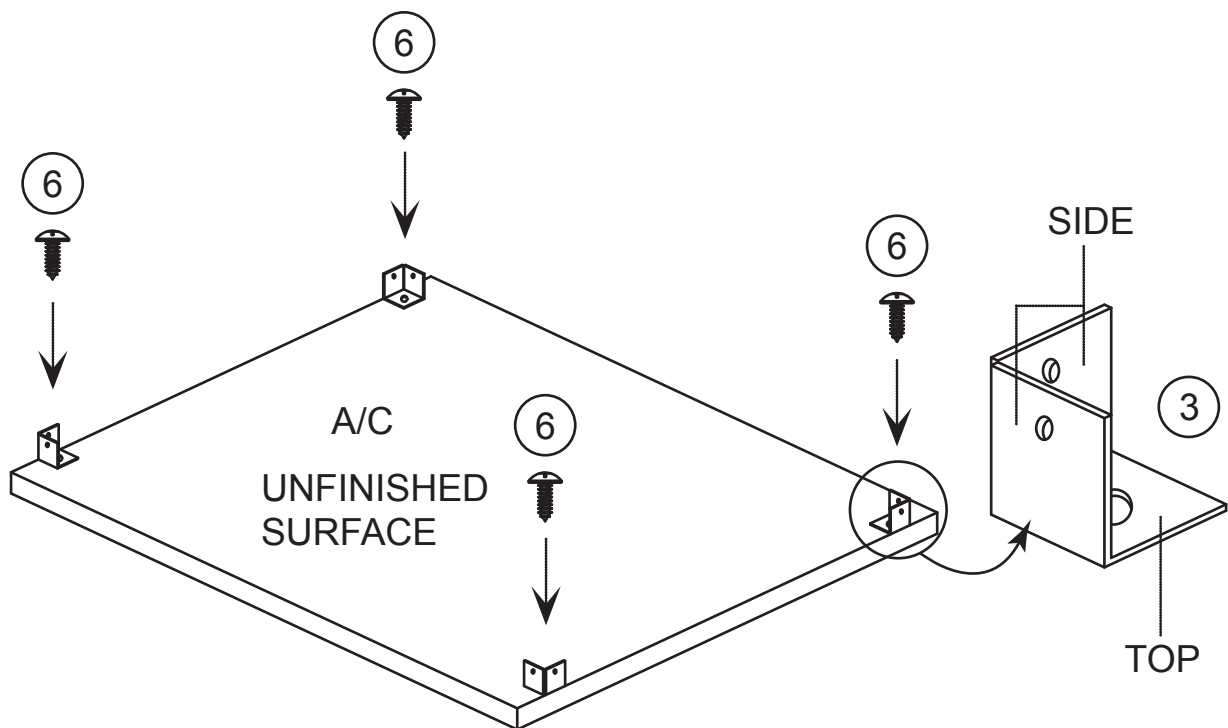


ASSEMBLY INSTRUCTIONS

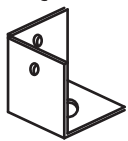
BEFORE YOU BEGIN, PLEASE READ ASSEMBLY INSTRUCTIONS CAREFULLY. FOLLOW THEM STEP BY STEP.

STEP 1:

ATTACH CORNER BRACKET (3) TO TOP PANEL (A) AND BOTTOM PANEL (C) USING 8 x 1/2 in. SCREWS (6), AS SHOWN.

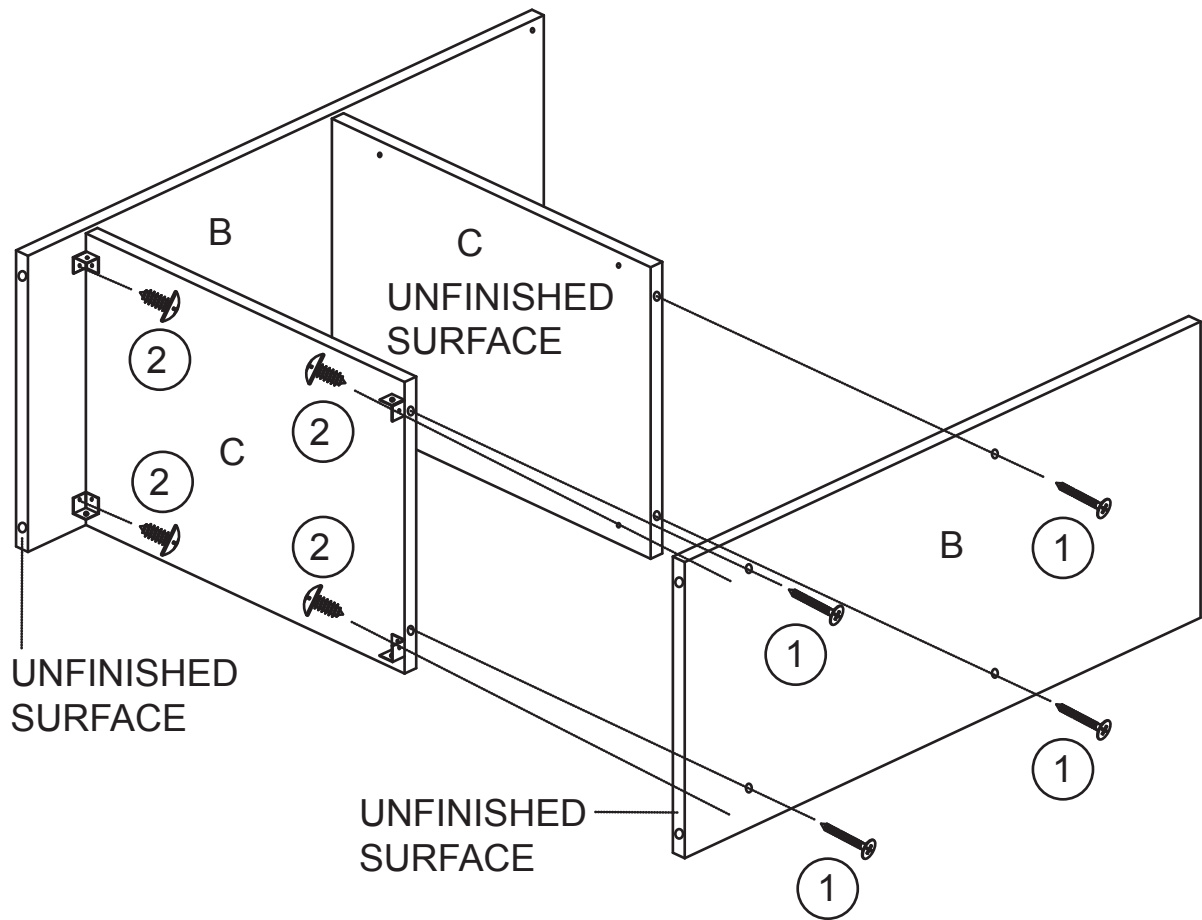


⑥ 8 x 1/2 in. SCREW - 8 PCS

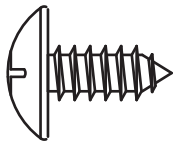


③ CORNER BRACKET - 8 PCS

STEP 2:
ATTACH L&R SIDE PANELS (B) AND SHELF PANEL (C) TO
ASSEMBLED STEP 1 USING C/B SCREWS (1) & 6 x 1/2 in. SCREW
(2), AS SHOWN.

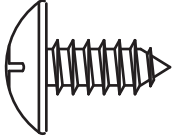
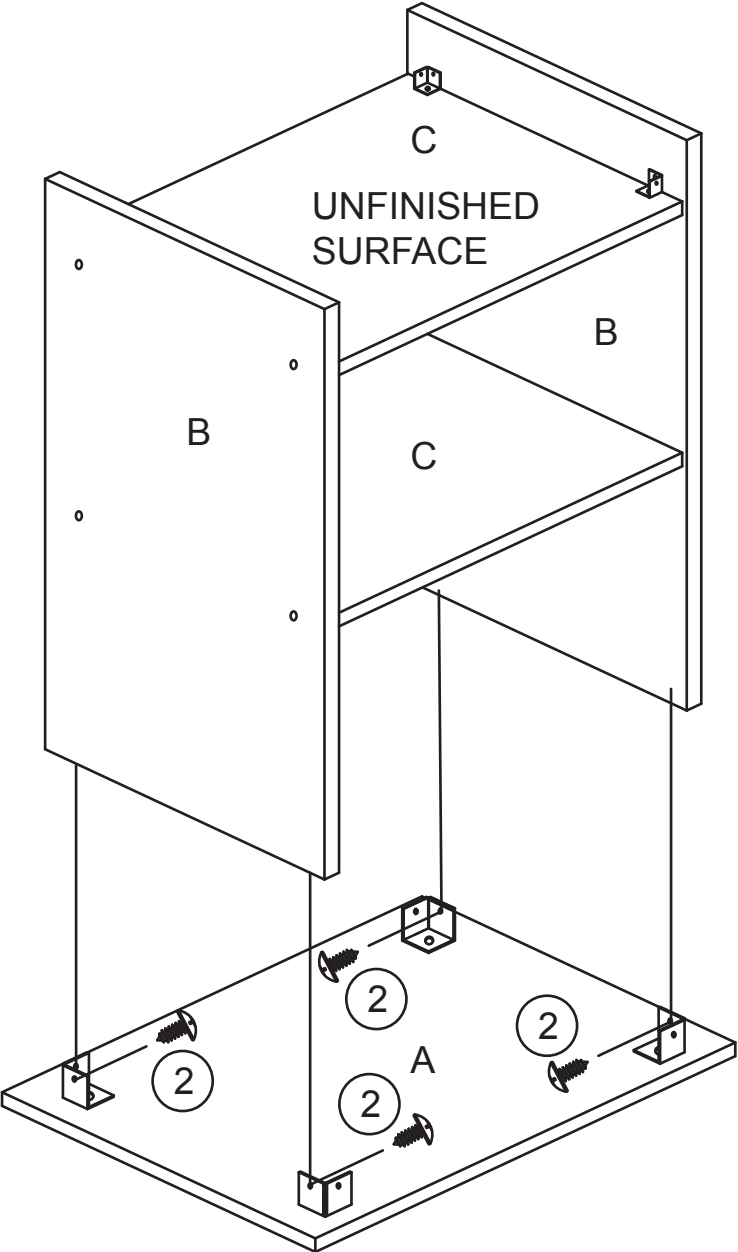


① C/B SCREW - 8 PCS



② 6 x 1/2 in. SCREW - 4 PCS

STEP 3:
ASSEMBLE STEP 1 TO STEP 2 USING 6 x 1/2 in. SCREWS (2),
AS SHOWN.

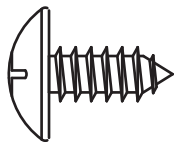
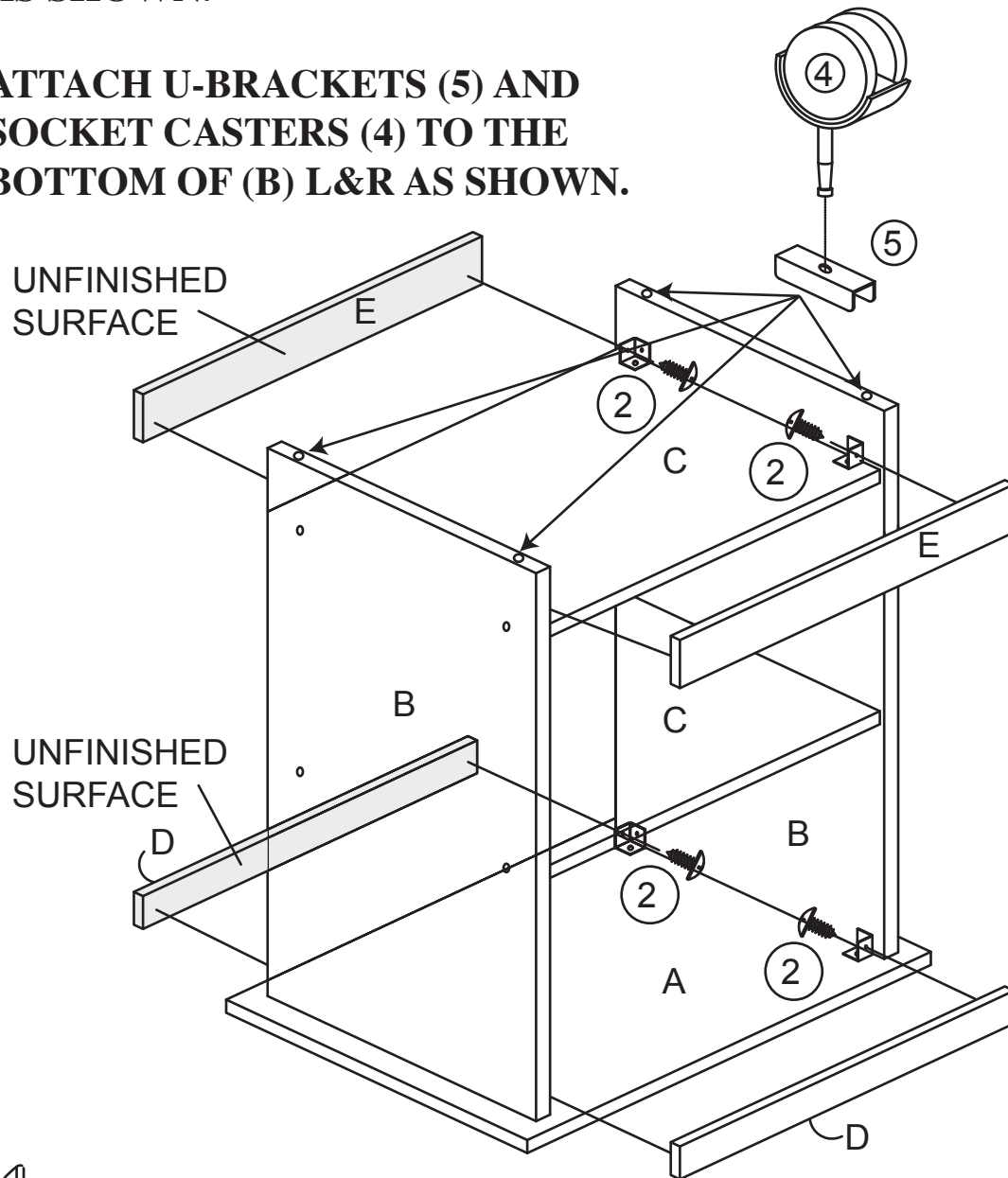


② 6 x 1/2 in. SCREW - 4 PCS

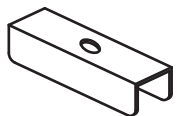
STEP 4:

ATTACH UPPER SKIRT PANEL (D) AND LOWER SKIRT PANEL (E) TO ASSEMBLED STEP 4 USING 6 x 1/2 in. SCREWS (2), AS SHOWN.

ATTACH U-BRACKETS (5) AND SOCKET CASTERS (4) TO THE BOTTOM OF (B) L&R AS SHOWN.



② 6 x 1/2 in. SCREW - 8 PCS

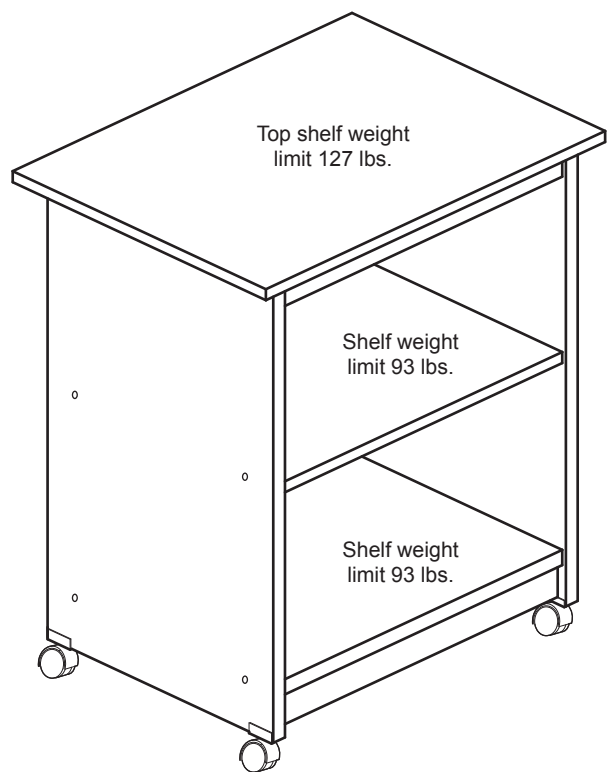


⑤ 'U' BRACKET - 4 PCS



④ SOCKET CASTER - 4 PCS

This unit is intended for use only with the products and maximum weights indicated. Use with other products or products heavier than the maximum weights indicated may result in instability causing possible injury. Furniture can tip over or break if improperly moved. Have a friend help to lift and carry the unit to it's new location.



Do you have any questions ? Missing small parts or hardware?
If you need assistance with the assembly of your 3 TIER
UTILITY CART please e-mail our Customer Service
Department at:
support@fourstari.com
or call us at **(508) 435-4830**
or (800) 639-3803

Please include the following information in your email:

- Where item was purchased
- Item, model, style or SKU number listed on instructions or box
- Part number, description of the part and quantity needed

This information will help us get the proper part to you faster