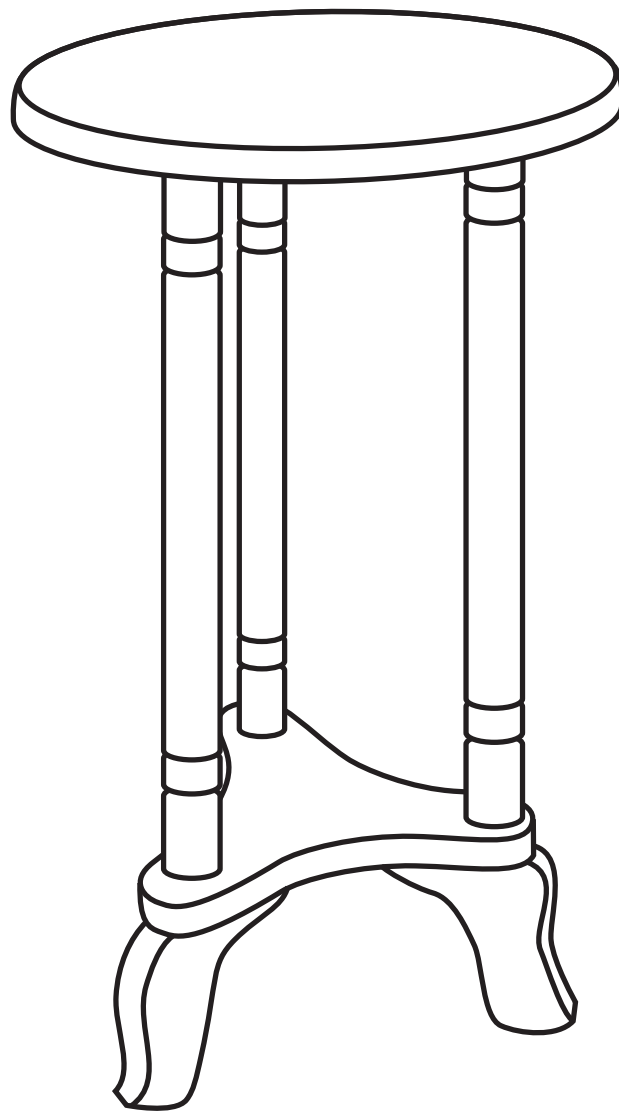






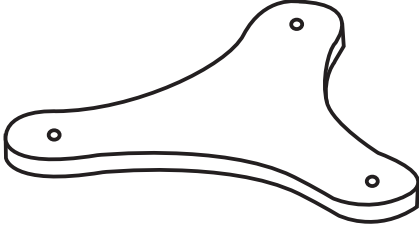
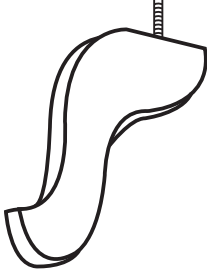

fourstargroup



MODEL: 11203633DT

WOODEN ROUND END TABLE

PARTS LIST

| NO | PARTS LIST | QTY |
|----|---|-------|
| A | TABLE TOP  | 1 pc |
| B | SPINDLES  | 3 pcs |
| C | CENTER SHELF  | 1 pc |
| D | LEGS  | 3 pcs |
| E | WOOD SCREW  | 3 pcs |

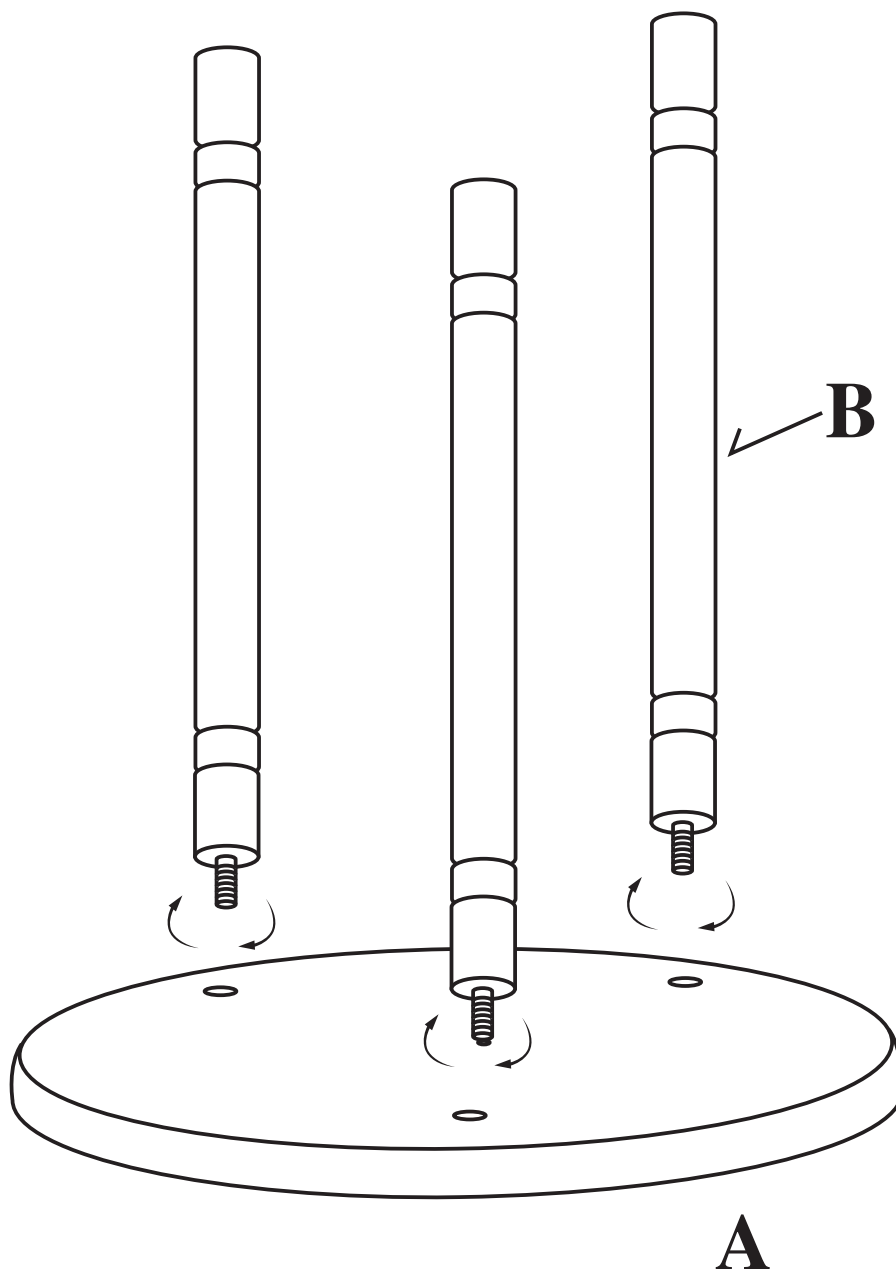
ASSEMBLY INSTRUCTIONS

BEFORE BEGINNING, PLEASE REVIEW ASSEMBLY INSTRUCTIONS CAREFULLY. FOLLOW THEM STEP BY STEP.

STEP 1

PLACE THE TABLE TOP (A) UPSIDE DOWN ON A SOFT SURFACE TO AVOID SCRATCHING THE TOP.

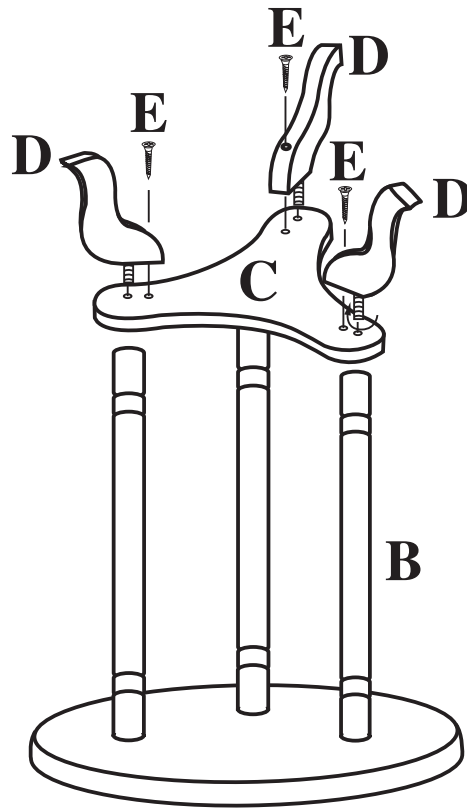
ATTACH THE THREE SPINDLES (B) TO THE TABLE TOP (A), AS SHOWN.



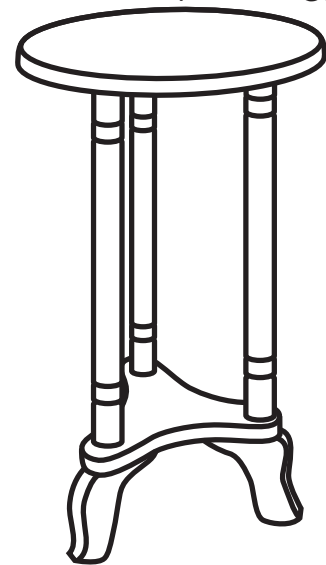
STEP 2

ATTACH THE THREE LEGS (D) TO THE CENTER SHELF (C) AND SPINDLES (B) BY TURNING CLOCKWISE AS SHOWN.

SCREW THE WOOD SCREW (E) THROUGH THE HOLES OF THE LEGS (D) TO THE CENTER SHELF (C) USING PHILIPS SCREWDRIVER (NOT PROVIDED).



40 lbs (18.1 kg)



**CAUTION: MAXIMUM LOADING
CAPACITY OF THIS TABLE IS 40 LBS.**

**THIS IS A TABLE. DO NOT SIT, STAND,
LEAN, WALK OR JUMP ON TABLE!
FAILURE TO COMPLY WITH THIS
CAUTION COULD RESULT IN PERSONAL
INJURY AND / OR PROPERTY DAMAGE!**

Do you have any questions ? Missing small parts or hardware ?

If you need assistance with the assembly of your **WOODEN
ROUND END TABLE** please e-mail our Customer Service

Department at: support@fourstari.com

or call us at **(508) 473-7688**

or (800) 639-3803

Please include the following information in your email:

- Where item was purchased
- Item, model, style or SKU number listed on instructions or box
- Part number, description of the part and quantity needed

This information will help us get the proper part to you faster