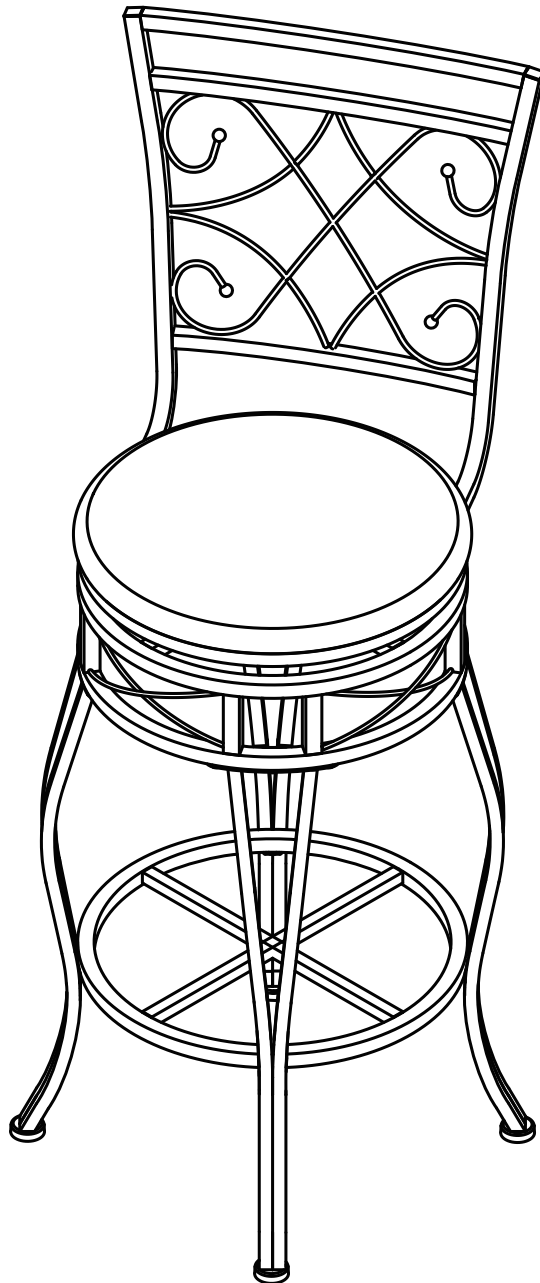




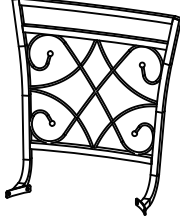
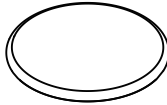
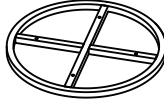

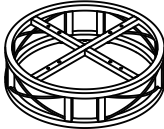
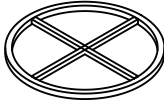




fourstargroup



MODEL: 11222326

SWIVEL BARSTOOL

PARTS AND HARDWARE

NO	HARDWARE LIST	QTY
A	BACK 	1 PC
B	CHAIR CUSHION 	1 PC
C	SEAT 	1 PC
D	SWIVEL TRAY 	1 PC
E	CHAIR CONNECTOR 	1 PC
F	CHAIR CIRCLE 	4 PCS
G	LEG 	4 PCS
H	BOLT 	28 PCS
I	ALLEN WRENCH 	1 PC
J	WOOD SCREW 	4 PCS

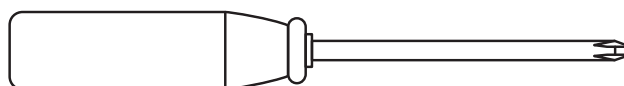
ASSEMBLY INSTRUCTIONS

CAUTION:

1. READ THIS INSTRUCTION MANUAL BEFORE YOU ASSEMBLE.
2. ASSEMBLE ON SOFT SURFACE TO PREVENT DAMAGE TO THE PRODUCT FINISH.

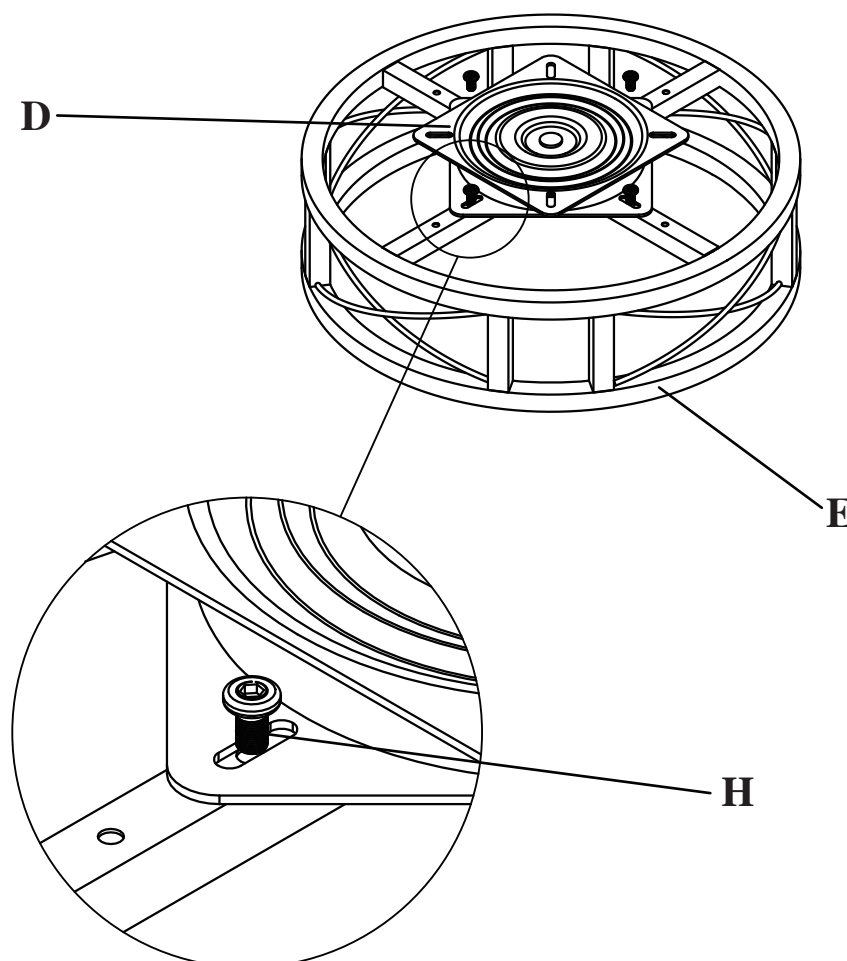
ASSEMBLY TOOL REQUIRED

PHILIPS SCREWDRIVER



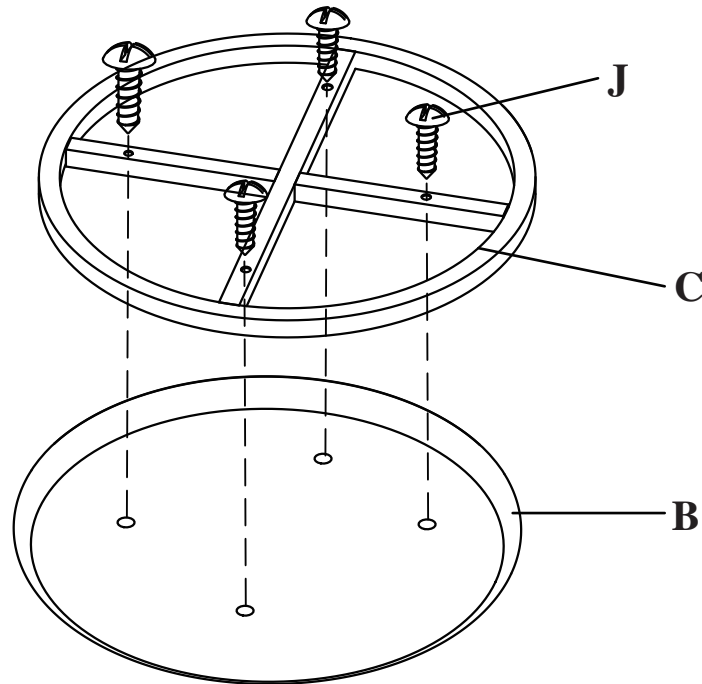
STEP 1

ATTACH SWIVEL TRAY (D) TO CHAIR CONNECTOR (E) USING BOLTS (H) AS SHOWN.



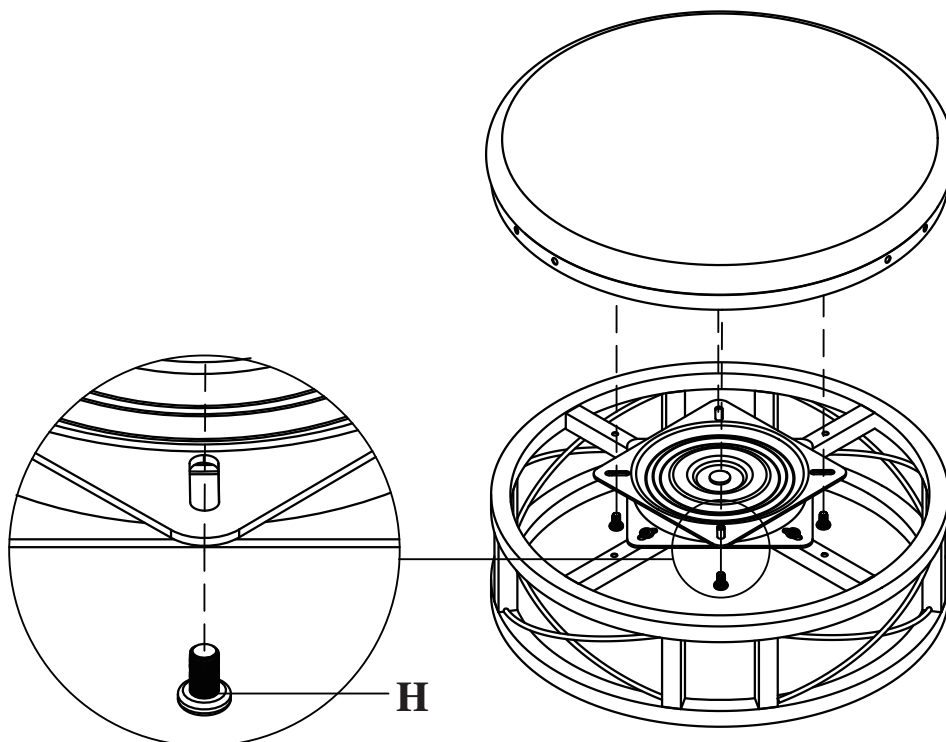
STEP 2

ATTACH CHAIR CUSHION (B) TO SEAT (C) USING WOOD SCREWS (J) AS SHOWN.



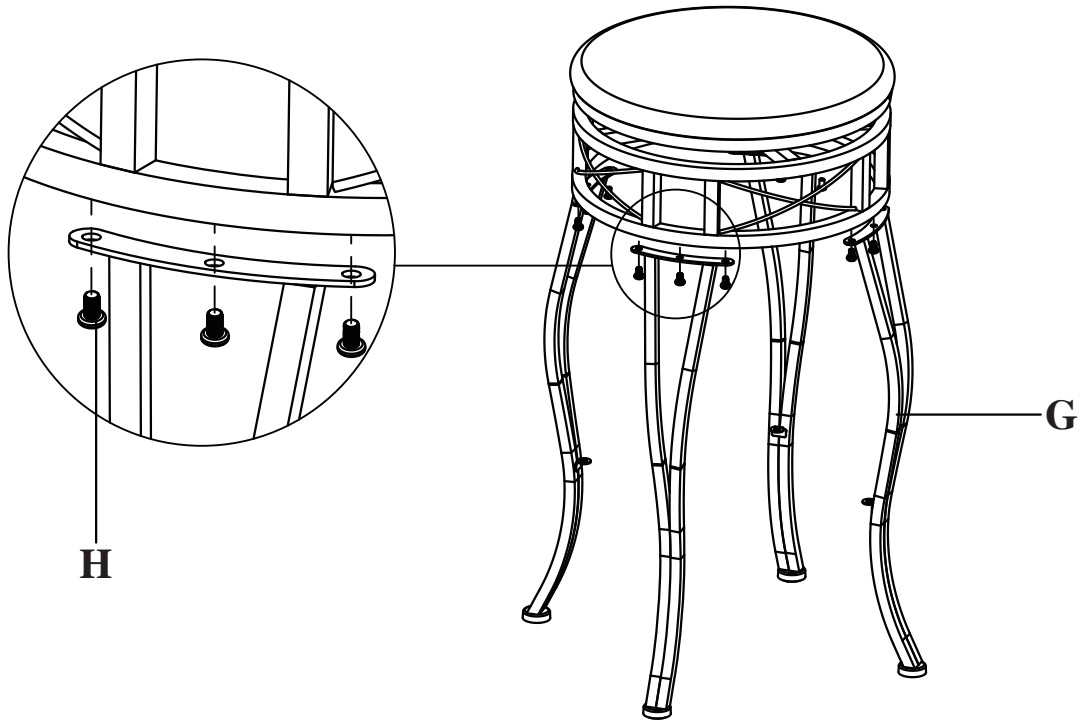
STEP 3

ATTACH STEP 2 FINISHED PART TO STEP 1 FINISHED PART USING BOLTS (H) AS SHOWN.



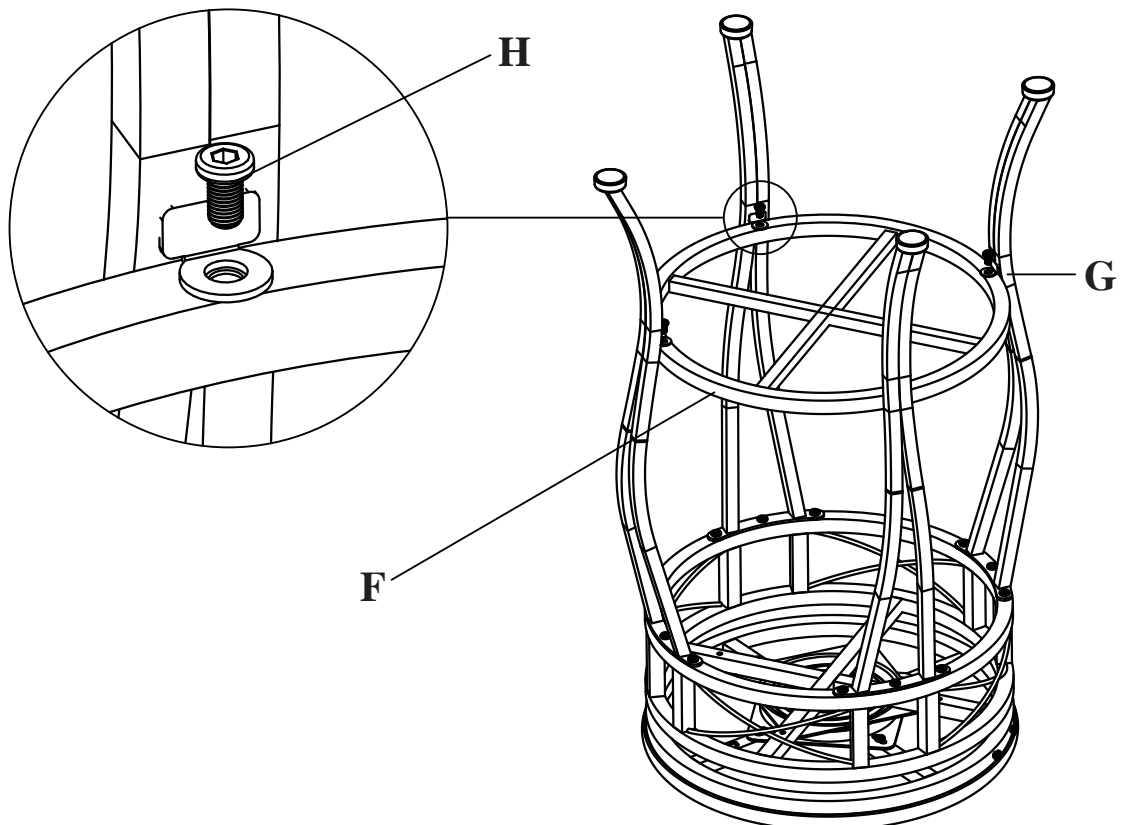
STEP 4

ATTACH LEGS (G) TO STEP 3 FINISHED PART USING BOLTS (H) AS SHOWN.



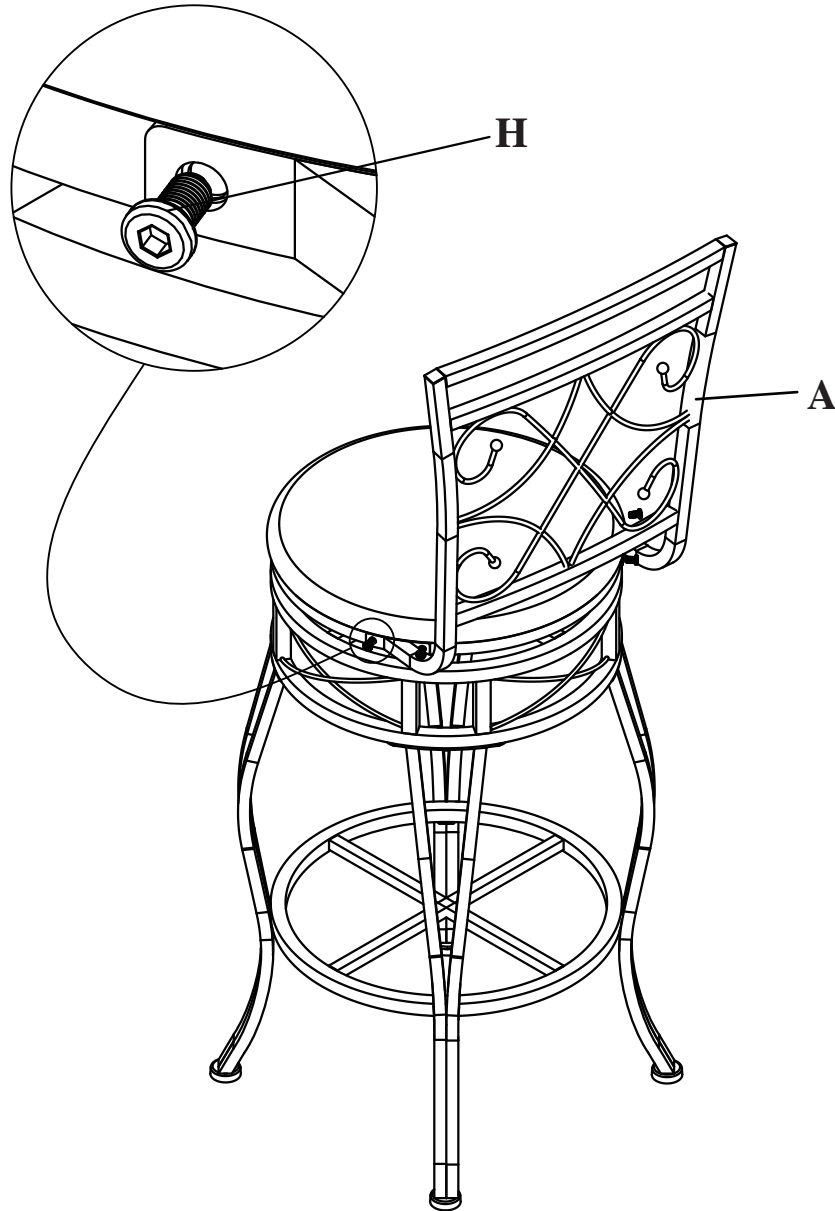
STEP 5

ATTACH CHAIR CIRCLE (F) TO LEGS (G) USING BOLTS (H) AS SHOWN.



STEP 6

ATTACH BACK (A) TO STEP 5 FINISHED PART USING BOLTS (H) AS SHOWN.



Do you have any questions? Missing small parts or hardware?

If you need assistance with the assembly of your SWIVEL

BARSTOOL please e-mail our Customer Service

Department at: support@fourstari.com

or call us at (508) 435-4830

or (800) 639-3803

Please include the following information in your email:

- Where item was purchased
- Item, model, style or SKU number listed on instructions or box
- Part number, description of the part and quantity needed

This information will help us get the proper part to you faster