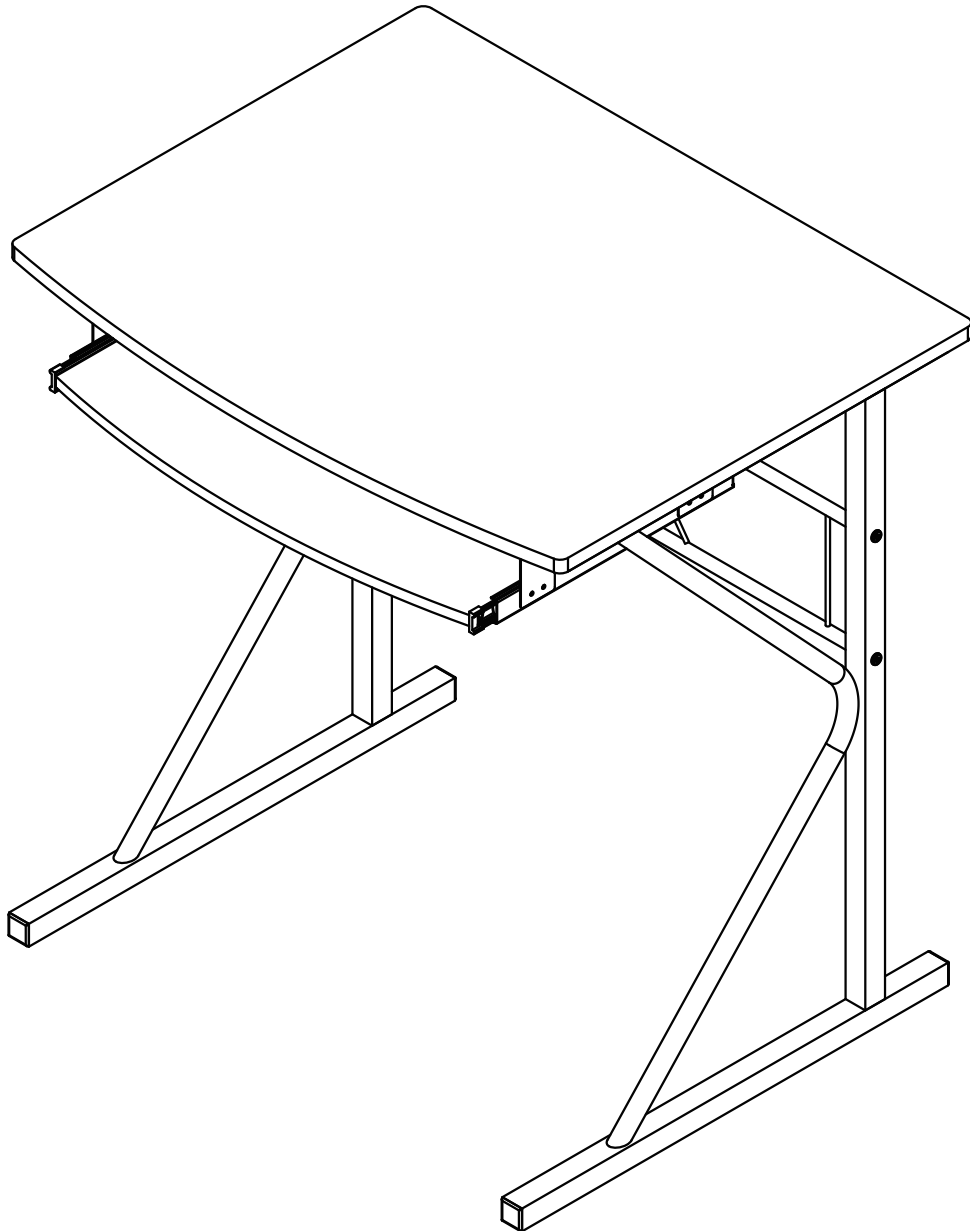




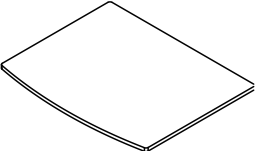
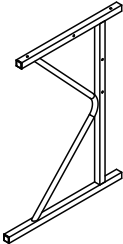
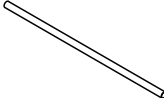
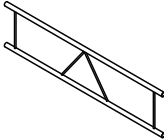
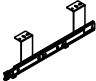
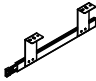
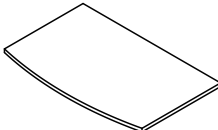




fourstargroup



MODEL: 11222327

**METAL COMPUTER DESK**

# PARTS AND HARDWARE

NO	HARDWARE LIST	QTY
A	<b>TABLE TOP</b> 	1 PC
B	<b>LEG</b> 	2 PCS
C	<b>LINK</b> 	1 PC
D	<b>BACK FRAME</b> 	1 PC
E	<b>LEFT SLIDER</b> 	1 PC
F	<b>RIGHT SLIDER</b> 	1 PC
G	<b>KEYBOARD PANEL</b> 	1 PC
H	<b>BOLT</b> 	10 PCS
I	<b>WOOD SCREW</b> 	16 PCS
J	<b>ALLEN WRENCH</b> 	1 PC
K	<b>FOOT</b> 	4 PCS

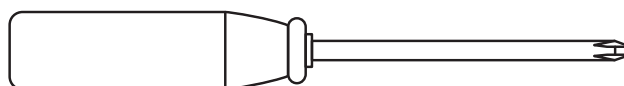
# ASSEMBLY INSTRUCTIONS

## CAUTION:

1. READ THIS INSTRUCTION MANUAL BEFORE YOU ASSEMBLE.
2. ASSEMBLE ON SOFT SURFACE TO PREVENT DAMAGE TO FINISH OF PRODUCT.

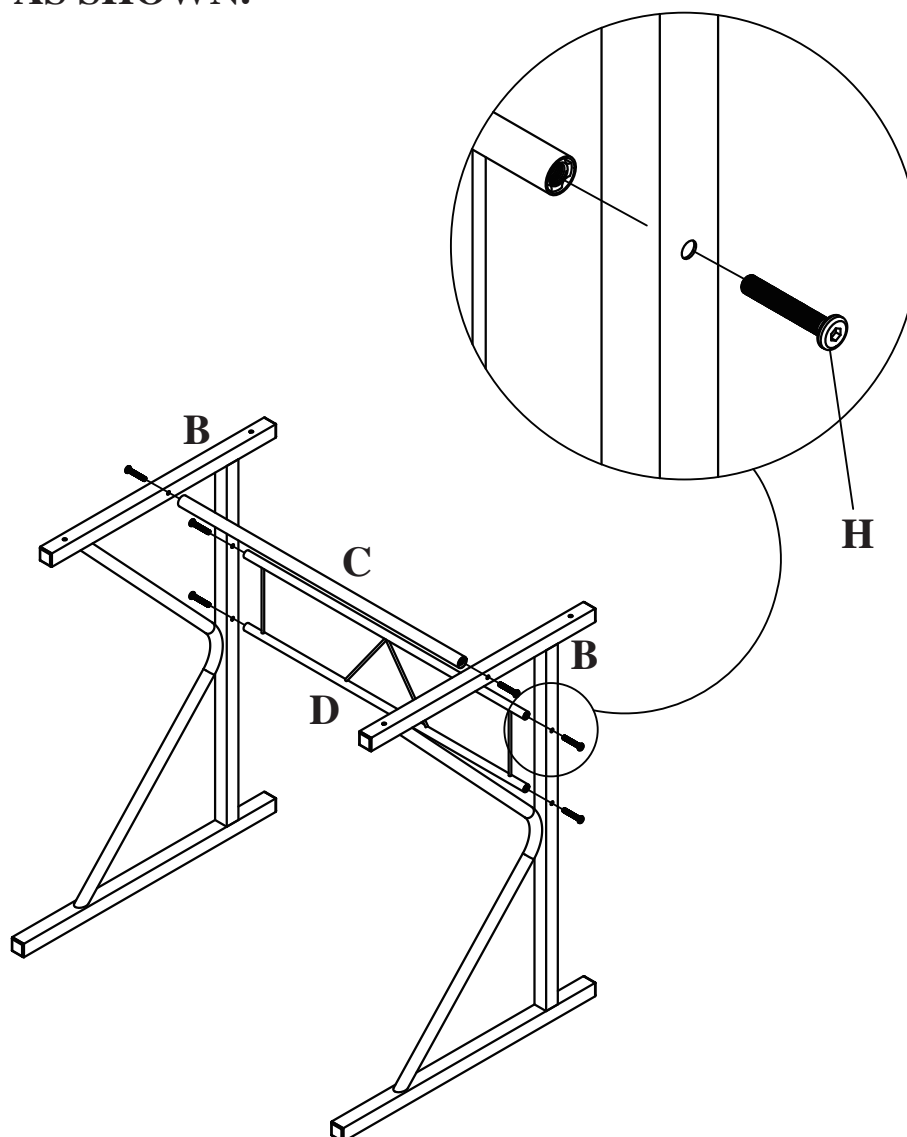
## ASSEMBLY TOOL REQUIRED

PHILIPS SCREWDRIVER



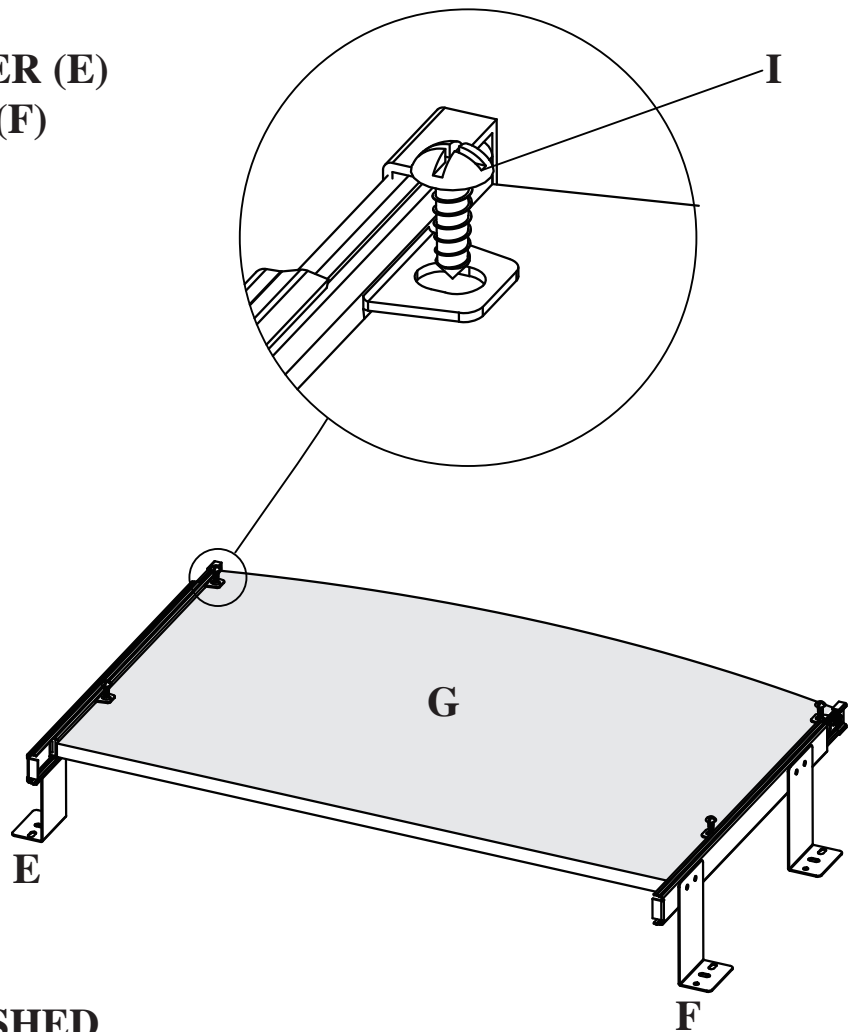
## STEP 1

ATTACH LINK (C) AND BACK FRAME (D) TO LEGS (B) USING BOLTS (H) AS SHOWN.



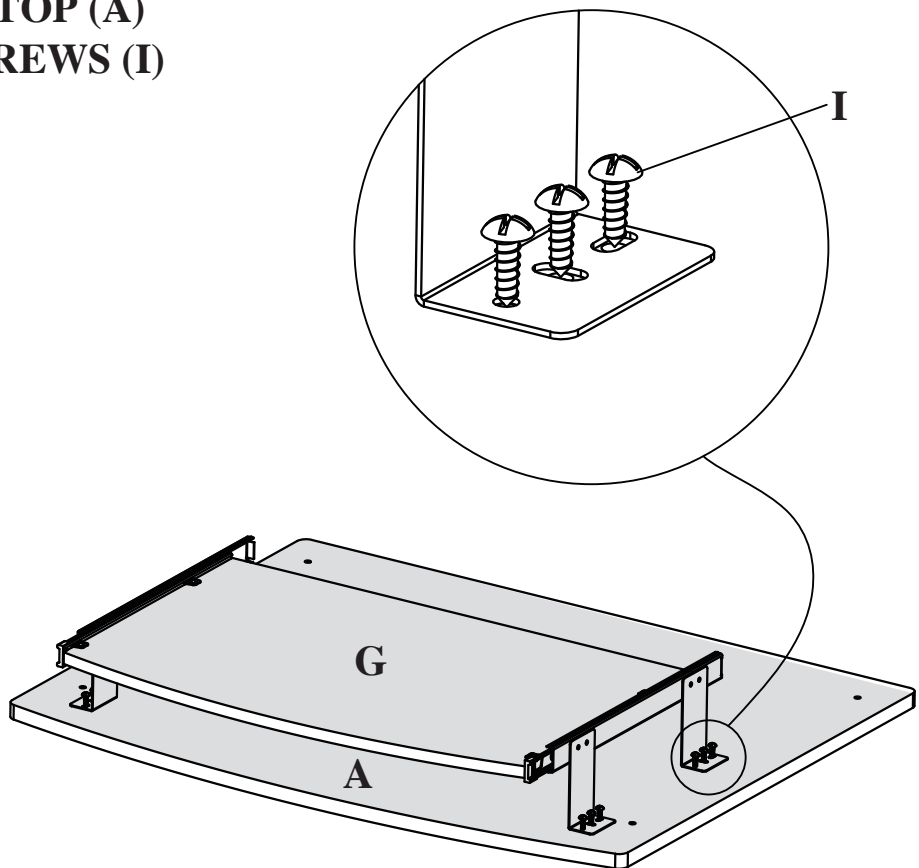
**STEP 2**

**ATTACH LEFT SLIDER (E)  
AND RIGHT SLIDER (F)  
TO KEYBOARD  
PANEL (G) USING  
WOOD SCREWS (I)  
AS SHOWN.**



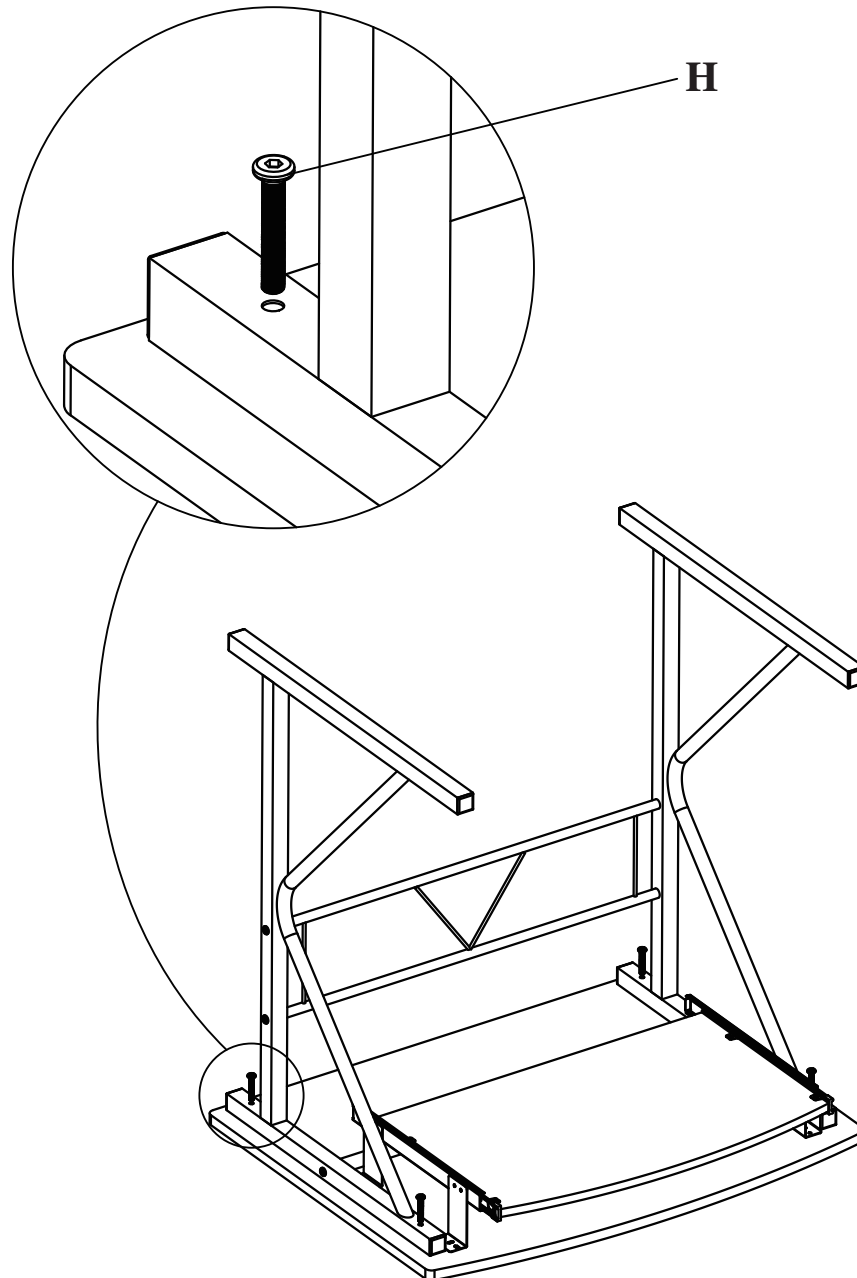
**STEP 3**

**ATTACH STEP 2 FINISHED  
PART TO TABLE TOP (A)  
USING WOOD SCREWS (I)  
AS SHOWN.**



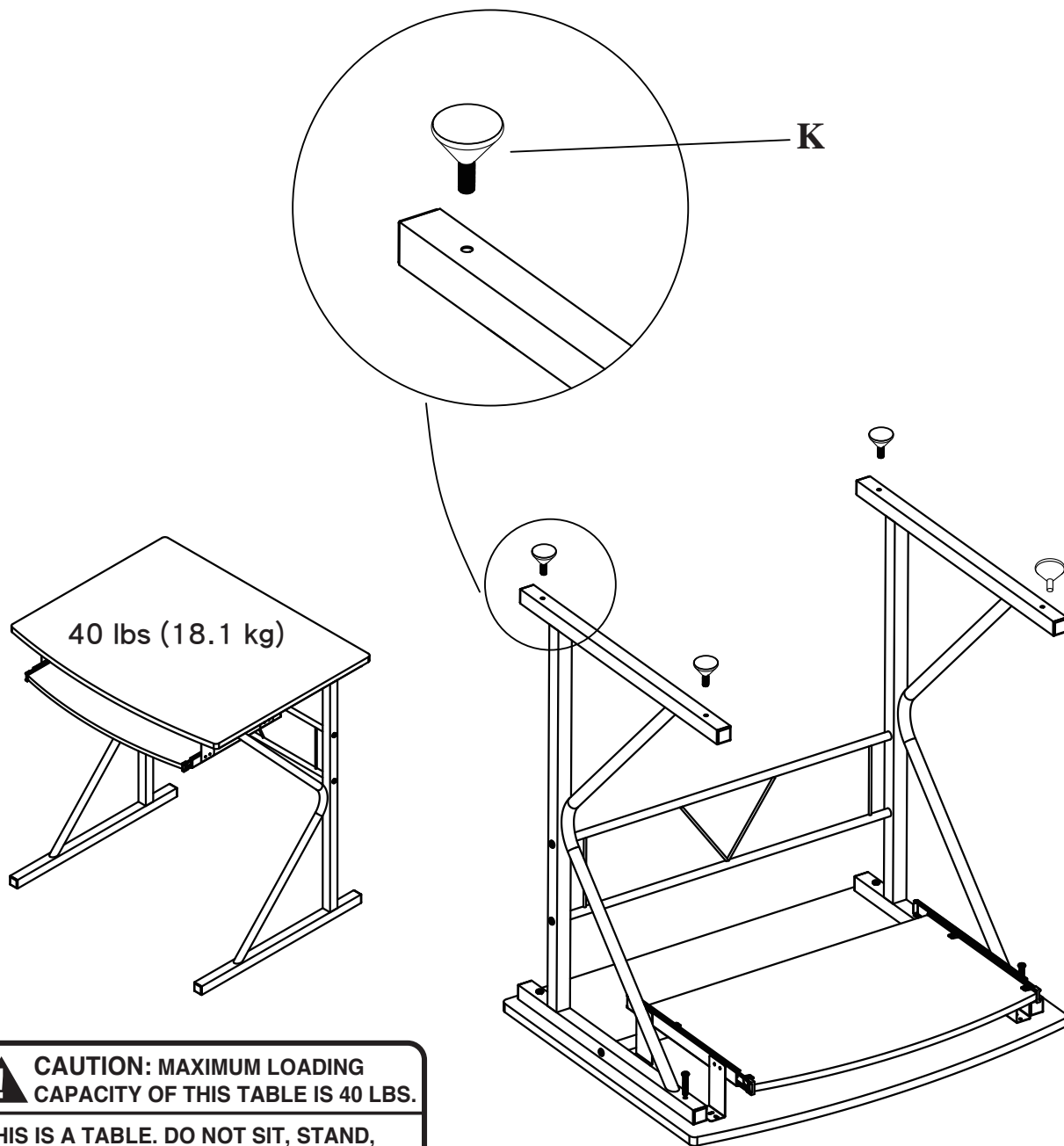
**STEP 4**

**ATTACH STEP 1 FINISHED PART TO STEP 3 FINISHED PART USING BOLTS (H) AS SHOWN.**



## STEP 5

SCREW FEET (K) INTO LEGS (B) CLOCKWISE AS SHOWN.



**CAUTION: MAXIMUM LOADING  
CAPACITY OF THIS TABLE IS 40 LBS.**

**THIS IS A TABLE. DO NOT SIT, STAND,  
LEAN, WALK OR JUMP ON TABLE!  
FAILURE TO COMPLY WITH THIS  
CAUTION COULD RESULT IN PERSONAL  
INJURY AND/OR PROPERTY DAMAGE!**

Do you have any questions? Missing small parts or hardware?

If you need assistance with the assembly of your METAL  
COMPUTER DESK please e-mail our Customer Service

Department at: [support@fourstari.com](mailto:support@fourstari.com)

or call us at (508) 435-4830

or (800) 639-3803

Please include the following information in your email:

- Where item was purchased
- Item, model, style or SKU number listed on instructions or box
- Part number, description of the part and quantity needed

This information will help us get the proper part to you faster