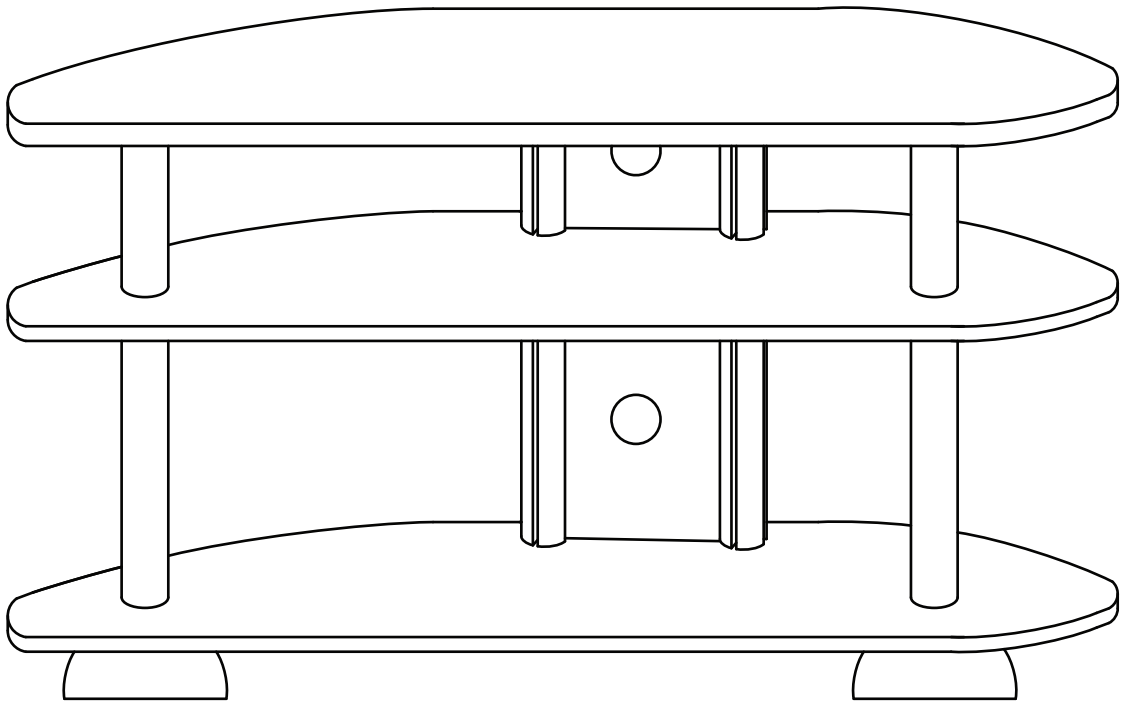


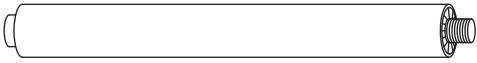

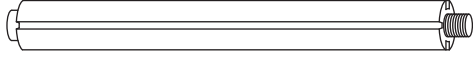
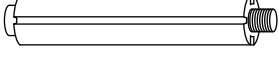

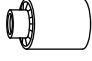
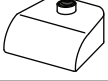


fourstargroup

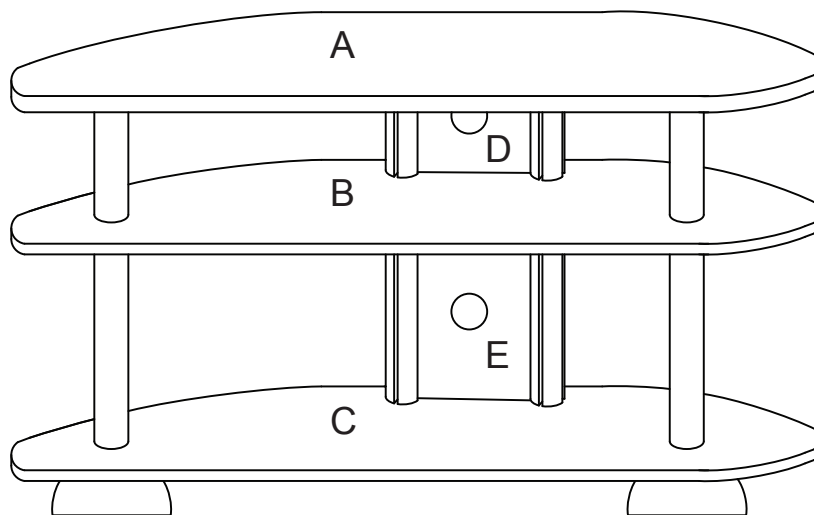


MODEL: 11210603V
ENTERTAINMENTCENTER

PARTS

NO	HARDWARE LIST	QTY
1	LONG TUBE 	2 pcs
2	SHORT TUBE 	2 pcs
3	LONG ENGROVE TUBE 	2 pcs
4	SHORT ENGROVE TUBE 	2 pcs
5	INSERT CAP 	4 pcs
6	LEG 	2 pcs
7	NO-TIP FEET 	2 pcs

NO	PARTS LIST	QTY
A	TOP PANEL	1 pc
B	SHELF PANEL	1 pc
C	BOTTOM PANEL	1 pc
D	UPPER BACK PANEL	1 pc
E	BOTTOM BACK PANEL	1 pc



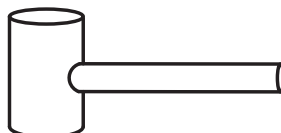
**BEFORE YOU BEGIN,
PLEASE READ ASSEMBLY INSTRUCTIONS CAREFULLY.
FOLLOW THEM STEP BY STEP.**

CAUTION :

- 1. ADULT SUPERVISION IS REQUIRED DUE TO SMALL PARTS.
CARE SHOULD BE TAKEN IN THE UNPACKING AND
ASSEMBLY OF THE PRODUCT.**
- 2. ASSEMBLE ON SOFT SURFACES TO PREVENT DAMAGE TO
THE PRODUCT FINISH.**
- 3. MAKE SURE ALL PARTS ARE INCLUDED BEFORE ASSEMBLY.**

OPTIONAL ASSEMBLY TOOL

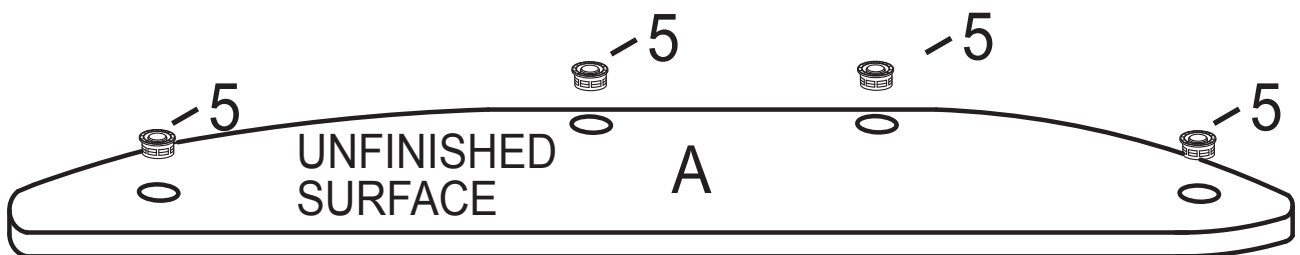
RUBBER MALLET



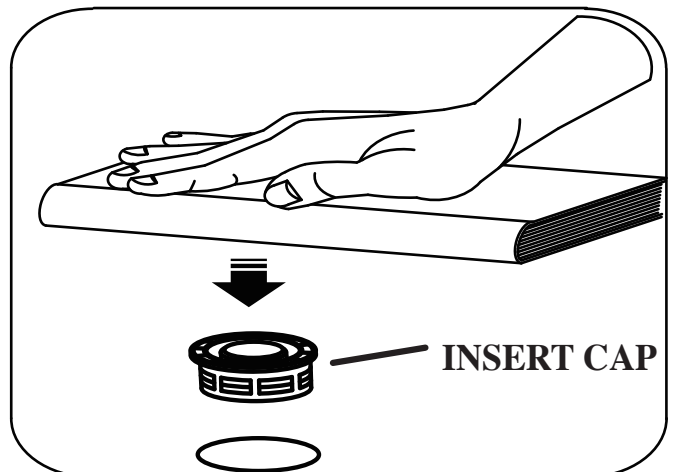
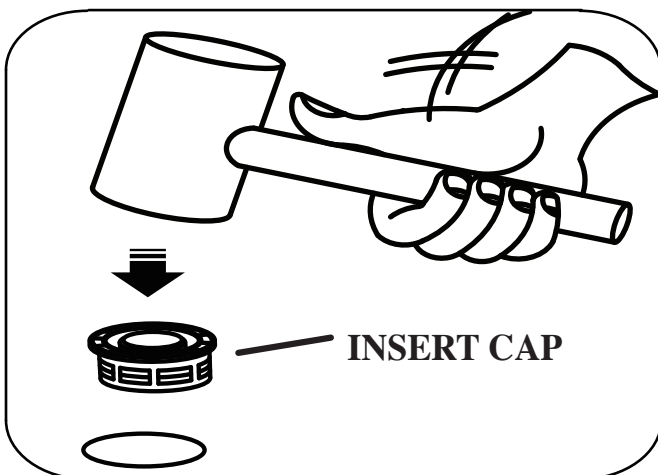
ASSEMBLY INSTRUCTIONS

STEP 1

PRESS INSERT CAPS (5) INTO TOP PANEL (A) AS SHOWN.

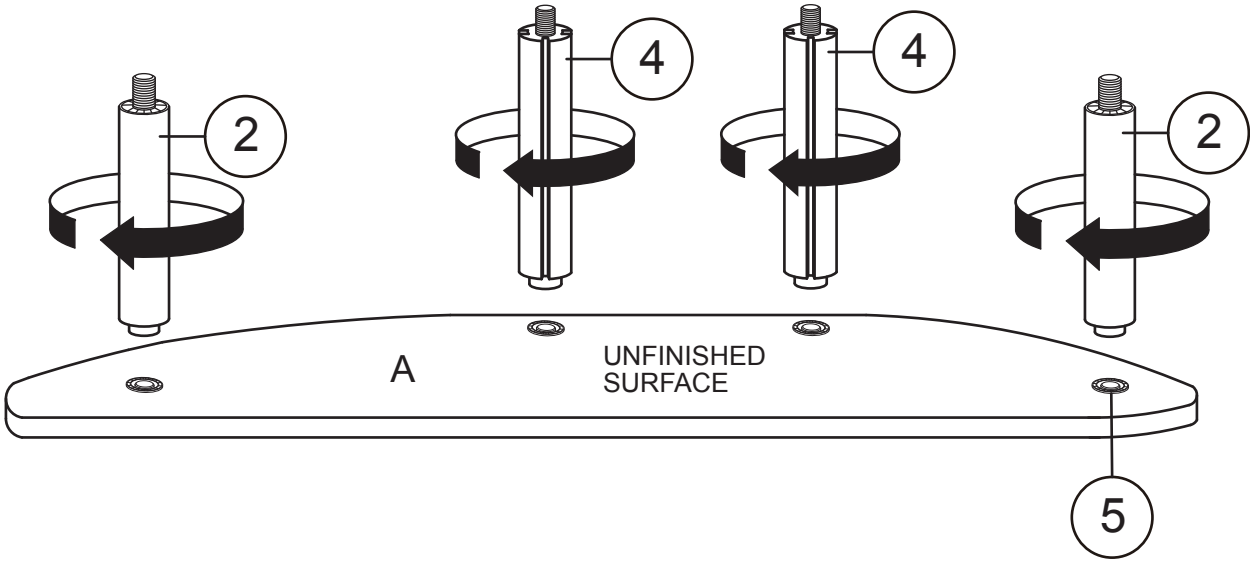


USING EITHER A SOFT RUBBER Mallet OR BY FIRMLY PRESSING THE INSERT CAPS INTO THE TOP PANEL USING THE FLAT SIDE OF A BOOK OR OTHER HARD FLAT SURFACE TO PRESS THE CAPS INTO THE PANEL.

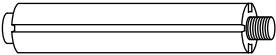


⑤ INSERT CAP - 4 PCS

STEP 2:
ATTACH SHORT TUBES (2) AND SHORT ENGROVE TUBES (4)
TO INSERT CAP (5) AS SHOWN.

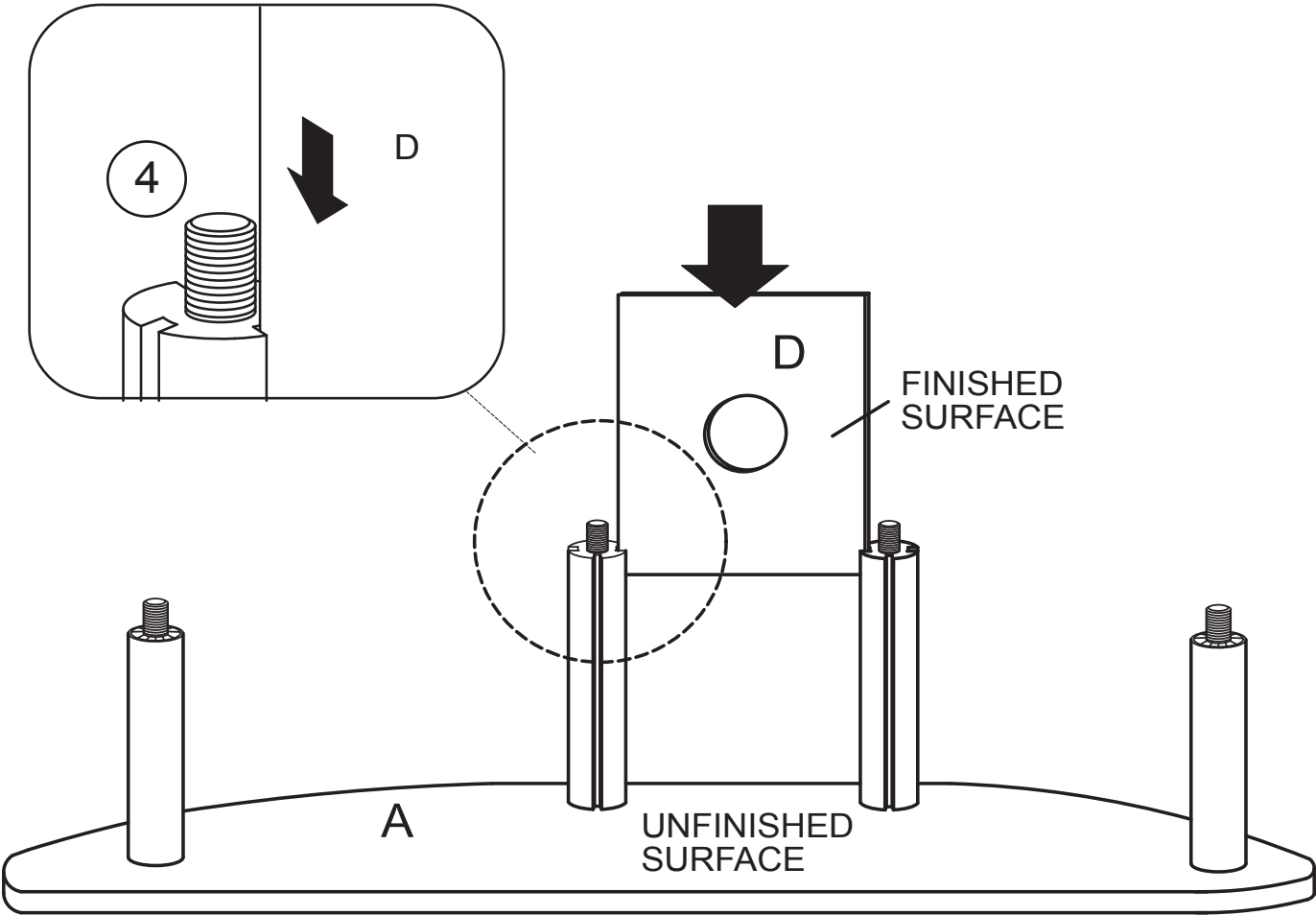


② SHORT TUBE - 2 PCS

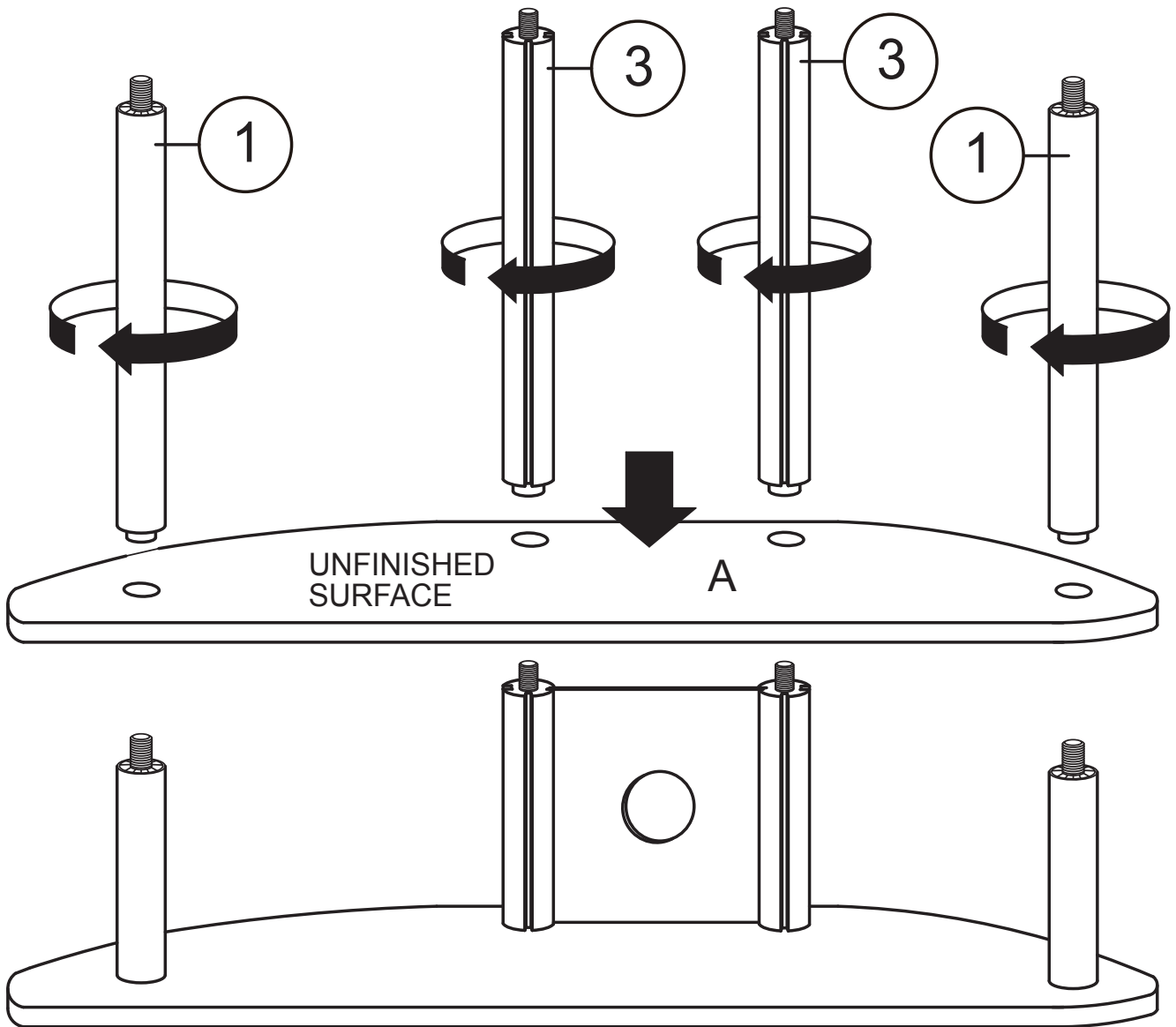


④ SHORT ENGROVE TUBE - 2 PCS

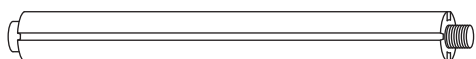
STEP 3:
SLIDE UPPER BACK PANEL (D) INTO THE GROOVES OF
SHORT ENGROVE TUBES (4) AS SHOWN.



STEP 4:
ATTACH SHELF PANEL (B) TO ASSEMBLED FROM STEP 3
USING LONG TUBES (1) AND LONG ENGROVE TUBES (3)
A SHOWN.

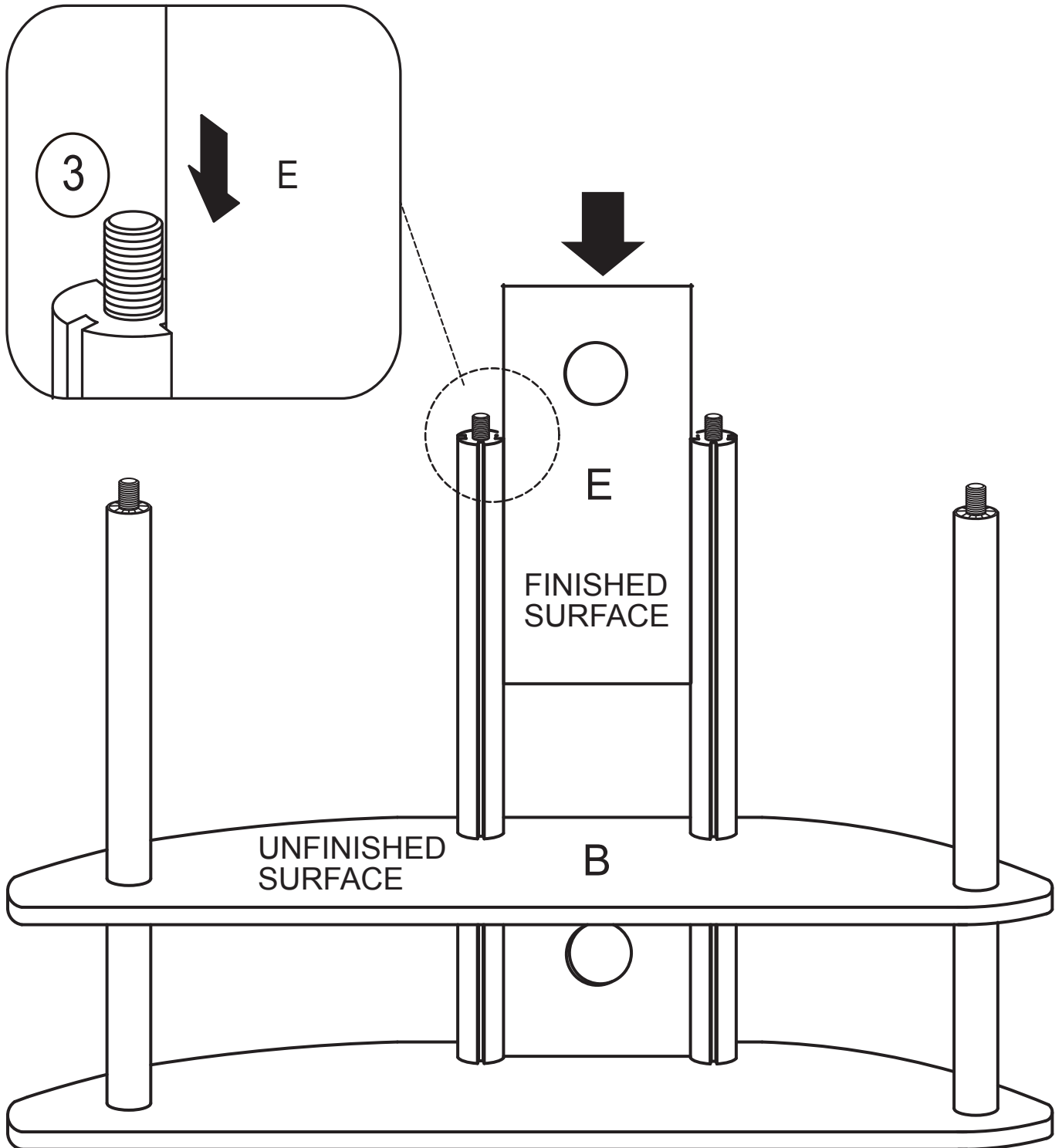


① LONG TUBE - 2 PCS

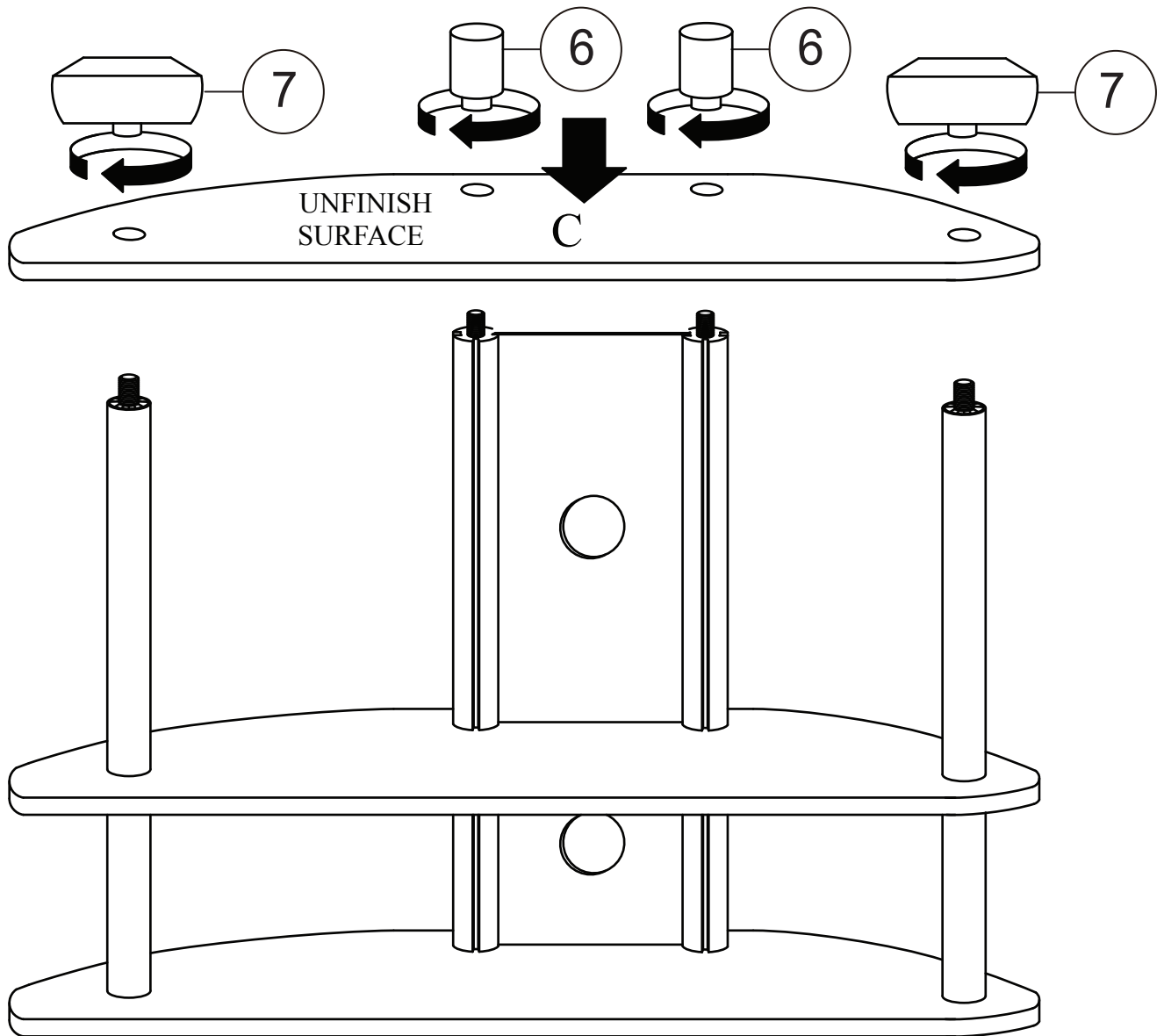


③ LONG ENGROVE TUBE - 2 PCS

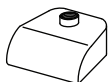
STEP 5:
SLIDE BOTTOM BACK PANEL (E) INTO THE GROOVES OF
LONG ENGROVE TUBES (3) AS SHOWN.



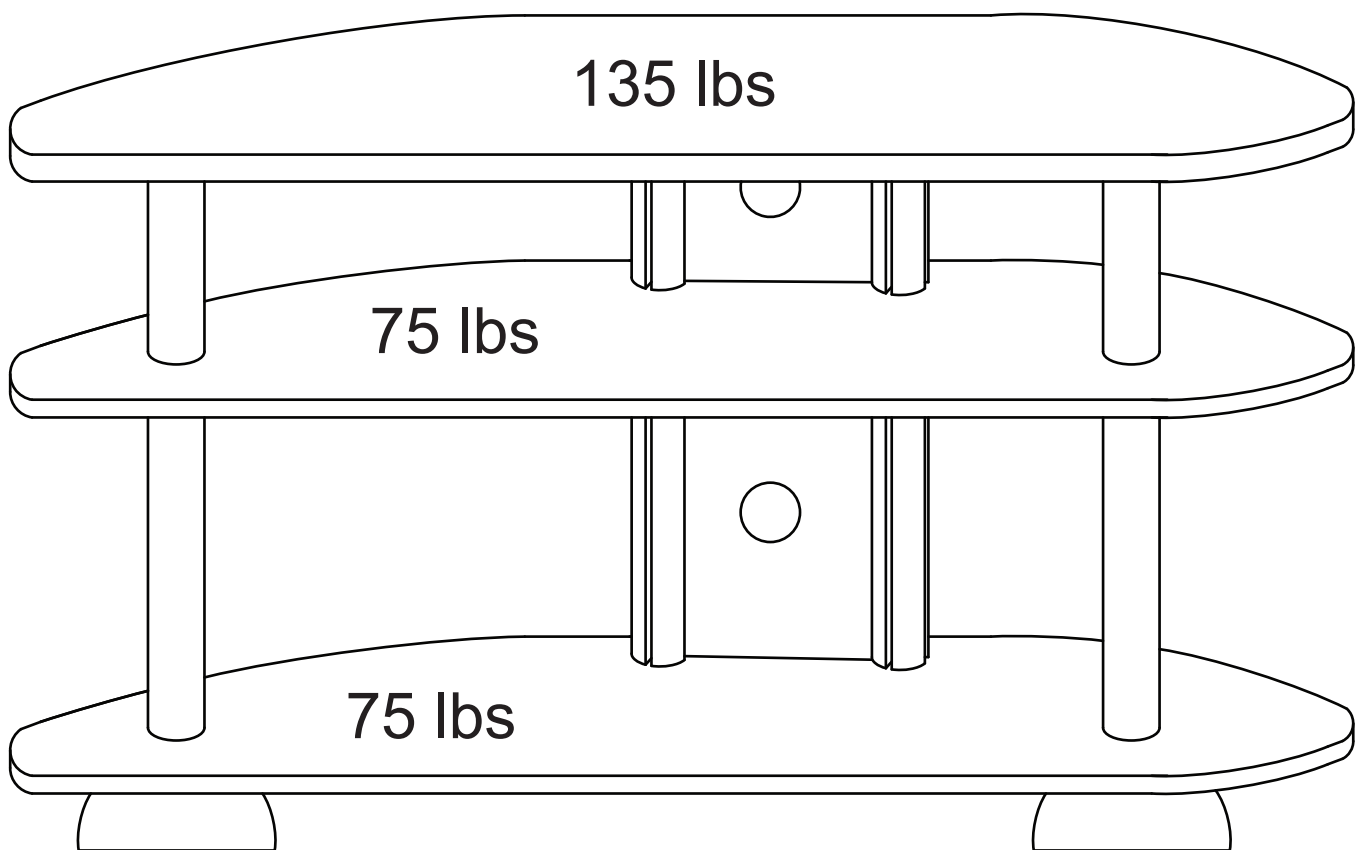
STEP 6:
ATTACH BACK PANEL (C) TO ASSEMBLED SECTION FROM
STEP 5 USING LEGS (6) AND NO-TIP FEET (7) AS SHOWN.



⑥ LEG - 2 PCS



⑦ NO-TIP FEET - 2 PCS



This unit is intended for use only with the products and maximum weights indicated. Use with other products or products heavier than the maximum weights indicated may result in instability causing possible injury. Furniture can tip over or break if improperly moved. Have a friend help to lift and carry the unit to its new location.

Do you have any questions? Missing small parts or hardware?
If you need assistance with the assembly of your
ENTERTAINMENTCENTER please e-mail our Customer Service
Department at:
support@fourstari.com
or call us at (508) 435-4830
or (800) 639-3803

Please include the following information in your email:

- Where item was purchased
- Item, model, style or SKU number listed on instructions or box
- Part number, description of the part and quantity needed

This information will help us get the proper part to you faster